



#EL



FEATURES

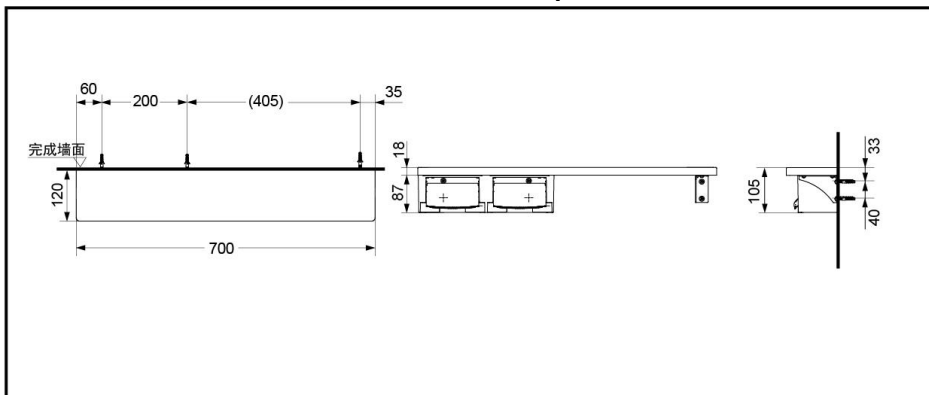
- Twin holder, convenient for daily life.

※picture above is DGS62N#MWW ,only for reference

SPECIFICS

Size: 700x120x165mm

YHB63NRC#NW1/#EL/#MV Twin Paper Holder



TOTO(CHINA) CO.,LTD. All rights reserved.