

DLB203-1

w/ Drainage Fittings



**Reduce  
The Water**

### FEATURES

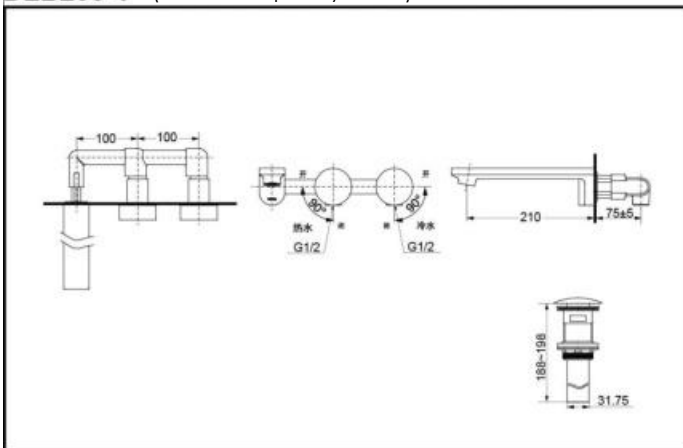
- Simple clean design with vertical and horizontal lines.
- Harmonized with the room of floor, wall and ceiling
- Unique aerial technology offers a comfortable experience with smooth water flow which maintains the strength while keeps soft touch with a low consumption.

### SPECIFICS

Water Supply:

0.05MPa(dynamic pressure)~  
0.75MPa(static pressure)

**DLB203-1** Wall-Mounted Two-Handle Lavatory Mixer  
(CI Contemporary Series)



### OTHERS

Series: CI Contemporary Series