

TLG02309BA
(W/ pop-up waste)



TLG02309A

FEATURES

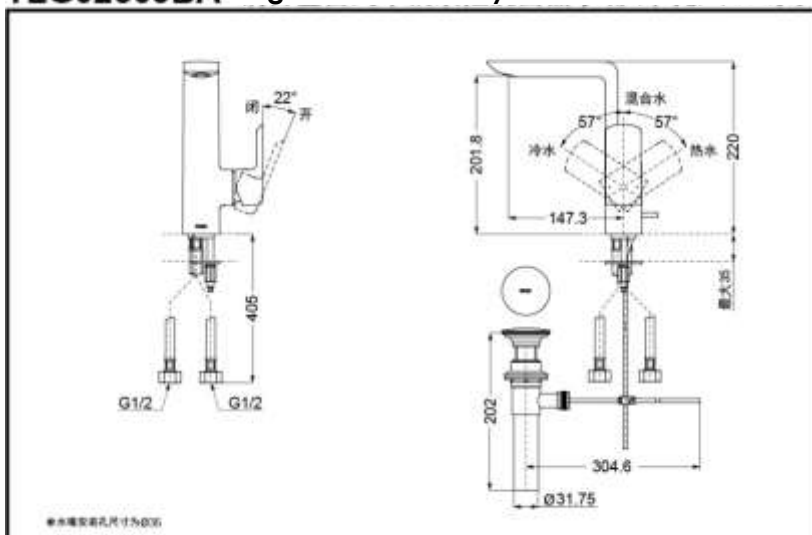
- Elegant appearance.
- Beautiful curves reveal elegant taste.
- Easy installation and usage.
- Unique aerial technology , smooth and moderate flow presents more comfort experience and saves water as well.

SPECIFICS

Water Inlet Requirement :
0.05MPa(Dynamic
Pressure)~1.0MPa(Static
Pressure)

Water Efficiency : Grade 1

TLG02309BA Single-Lever Lavatory Faucet



*TOTO(CHINA) CO.,LTD. All rights reserved.

Others

Series : GR