

Product Warranty Card

User	
Sales shop or installation shop	
Date of buying	
Warranty period	one year from the date of purchase.

*If the contents in the above column are not complete, the product warranty card shall be deemed as invalid. Therefore, user should confirm the contents put in at the time of buying.
 *The items covered in this product warranty card are only limited to repair to those free repair items as agreed in the product warranty card.
 *During the warranty period, if any failure occurs to the product (water leakage, seepage), please call after sale service to request repairs.

Repair Regulations

- During the warranty period, if the user uses the products of the company correctly according to relevant instructions, adhesive labels, the company will provide free repair to any faulty product.
- When any free repair is required due to damage within the warranty period, please call after sale service to request repairs.
- Within the warranty period, the repair in the following occasions is paid repair.
 - Any failure and damage due to any improper use or any improper repair and modification conducted privately.
 - Any failure and damage resulting from any carelessness or fault in installation construction.
 - Any failure and damage attributed to such reasons as removal for relocation after installation, etc.
 - Any failure and damage due to using this product in occasions beyond the specified scope of use (for example, home commodity is used for any business purpose).
 - Any damage caused by sand grains or dirt, etc.
 - Such adverse results as dirtiness, plating part rusting, etc. attributed to improper daily maintenance and care.
 - Any failure and damage due to fire, earthquake, flood, lightning strike and other natural disasters, public nuisances, gas damage (liquefied gas), salt damage and abnormal voltage, use of any power supply (voltage, frequency) other than the specified ones, etc.
 - The occasions not specified in this warranty.
 - The occasion in which the user name, sales shop, installation shop or buying date is not filled in.
 - No buying invoice can be presented.
 - Failure caused by frost damage.
- This product warranty card is applicable to China.
- This product warranty card shall not be reissued when being lost. Customers are requested to keep it properly.

0G4341G(B)

2023.11

TOTO

使用说明书 附保证书、合格证

感应式大便器冲洗阀（埋入式）

定量型

TREF75U* <埋入交流电型>

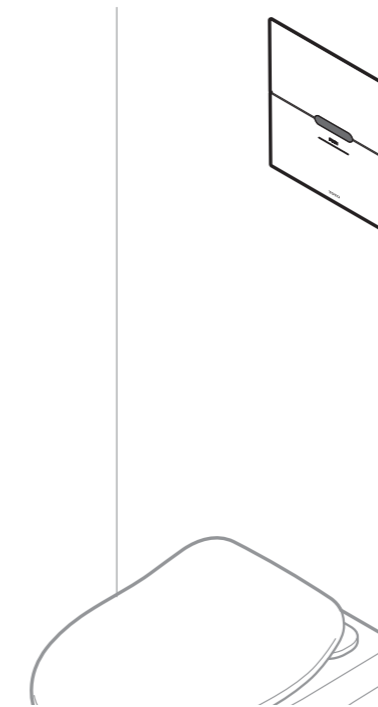
TREF75K* <埋入干电池型>

TREF45L* <埋入交流电型>

非定量型

TREF85U* <埋入交流电型>

TREF85K* <埋入干电池型>



- 承蒙购买 TOTO 产品，不胜感激。
- 请仔细阅读本说明书记载的各项内容，以便能正确使用。
- 本使用说明书阅后请妥善保管，以备日后查用。
- 随着产品式样的不断更新，实物存在与图示不符的情况，但基本安装、使用原理相同。产品最终式样以实物为准。

1. 安全上的注意..... 1~2	序言
2. 使用步骤..... 3	方使用法
3. 检查项目..... 4	保 养
4. 试运转..... 5~6	
5. 维护保养..... 7~13	
6. 故障处理..... 14	怎这时办
7. 电子产品中的有害物质的名称及含有量... 15	保 证 书
8. 合格证..... 16	



1 安全上的注意 (安全起见, 务必遵守)

安装前, 请仔细阅读“安全上的注意”, 并根据其内容正确安装。










● 为了使您能安全正确地安装该产品, 防止危害您或他人的安全及财产损失, 本说明书记载了各种标志。





● 必须遵守的内容, 以如下标志区分说明

这些标志及其意思说明如下。

标志	意思
 警告	无视此标志而误操作时, 有可能造成人员重伤或死亡。
 注意	无视此标志而误操作时, 有可能造成人身伤害或财产损失。

	此图表示不可行「禁止」之意
	请勿将产品装于易接触到水、结露或湿气较重的地方
	禁止拆解
	必须“强制”实行的内容

 警告		
 禁止	不要在电源插头或功能部分上泼水 可能导致火灾或触电。	
 禁止在潮湿的环境下使用	请勿将产品装于易接触到水、结露或湿气较重的地方	
 禁止接触	勿用湿手拔插电源线 (否则, 可能会导致触电。)	
 必须执行	将电源线插入端子台时, 务必插入到底部 (否则, 可能会导致火灾或触电。) ※在这项作业之前, 请务必确认已关闭电源断路器。	

 注意		
 禁止	请勿撞击产品。 (否则, 可能会造成故障、漏水)	
	请勿将产品安装在容易发生冻结的场所。 (否则, 可能会造成故障、漏水)	

8 合格证

TOTO 检查合格证

执行标准: 见包装箱上的标签
产品型号: 见包装箱上的标签
产品名称: 见包装箱上的标签
生产日期: 见包装箱上的标签

检印	
----	--

组装工厂: 东陶机器(广州)有限公司
厂址: 广州市番禺区南村镇兴南大道715号

东陶(中国)有限公司
全国售后服务电话: 800-820-9787 (固定电话)
400-820-9787 (手机用户)



扫描二维码,
服务预约, 方便快捷

销售商: 东陶(中国)有限公司
地址: 北京市朝阳区光华路1号北京嘉里中心北楼1915室
网址: www.toto.com.cn

7 Names and Contents of Harmful Substances in Electronic Product

Inductive toilet bowl flush valve (Concealed typedry battery type)


Names and contents of harmful substances in product

Component name	Harmful substance					
	Pb (Pb)	Hg (Hg)	Cd (Cd)	Cr (VI) (Cr [VI])	PBB (PBB)	PBDE (PBDE)
Button base plate	○	○	○	○	○	○
Photoelectric sensor	○	○	○	○	○	○
Electric wire	○	○	○	○	○	○
Capacitor	○	○	○	○	○	○
Dry battery	○	○	○	○	○	○
Solenoid valve	○	○	○	○	○	○
Main body for water supply	×	○	○	○	○	○
Battery box	○	○	○	○	○	○
Water inlet and outlet pipe	×	○	○	○	○	○
Enclosure	○	○	○	○	○	○
Operating panel part	○	○	○	○	○	○

This table is prepared according to SJ/T 11364-2014.

○: Represents that the content of that harmful substance in all homogeneous materials of that component is below the limit requirement as specified in GB/T 26572-2011.

×: Represents that the content of that harmful substance in a homogeneous material of that component is beyond the limit requirement as specified in GB/T 26572-2011. (There is no matured alternative in the industry currently as meeting the environmental protection requirement of EU' s RoHS directive)

 This marking number represents that under the state of normal use, the service period of the product subject to environmental protection is 10 years.

Inductive toilet bowl flush valve (Concealed type / AC type)


Names and contents of harmful substances in product

Component name	Harmful substance					
	Pb (Pb)	Hg (Hg)	Cd (Cd)	Cr (VI) (Cr [VI])	PBB (PBB)	PBDE (PBDE)
Electric wire	○	○	○	○	○	○
Button base plate	○	○	○	○	○	○
Photoelectric sensor	○	○	○	○	○	○
Controller	○	○	○	○	○	○
Power terminal block	○	○	○	○	○	○
Solenoid valve	○	○	○	○	○	○
Main body for water supply	×	○	○	○	○	○
Water inlet and outlet pipe	×	○	○	○	○	○
Enclosure	○	○	○	○	○	○
Operating panel part	○	○	○	○	○	○

This table is prepared according to SJ/T 11364-2014.

○: Represents that the content of that harmful substance in all homogeneous materials of that component is below the limit requirement as specified in GB/T 26572-2011.

×: Represents that the content of that harmful substance in a homogeneous material of that component is beyond the limit requirement as specified in GB/T 26572-2011. (There is no matured alternative in the industry currently as meeting the environmental protection requirement of EU' s RoHS directive)

 This marking number represents that under the state of normal use, the service period of the product subject to environmental protection is 10 years.

If you need to have this product scrapped, please do not treat it as ordinary domestic garbage. Please go through appropriate treatment, resumption and recovery via an independent collection system according to relevant statutes.

1 安全上的注意 (安全起见, 务必遵守)

⚠ 注意		
 禁止	请勿安装阻碍水流正常通过的节流类装置。 (否则, 可能会影响冲水的效果, 并造成漏水)	节流类装置 
 必须执行	在可能混入空气的进水配管上必须安装排气阀, 防止空气残留在配管内 (新建、改建工程后或自来水停水恢复后, 如果在混入大量空气和水的情况下向产品供水, 可能会导致产品破损或故障, 造成人身伤害或财产损失)	
 禁止拆解	非专业维修人员请勿擅自拆解、维修。 (否则, 可能会造成故障、漏水)	
 必须执行	取出活塞阀清洗前, 请务必先关闭进水角阀或进水总开关 (请参考维护保养页面) (否则水可能会喷出, 污损家具、造成财产损失)	
 必须执行	工作时要戴上手套。 (存在意外伤害的风险)	

⚠ 注意

- 在可能结冰的场所使用时, 要切实做好防冻措施。由于结冰, 零件破损, 有可能导致漏水, 造成财产损失。因结冰而造成的破损即使在保修期内也是有偿修理。请不要让产品的环境温度低于 1℃。

防冻措施

- 在可能结冰的场所使用时, 要切实做好防冻措施。
- 产品结冰的话零件损坏, 成为漏水的原因。
 - 因结冰造成的零件破损即使在保修期也是有偿修理。
 - 施工完了后或长时间不使用时, 要有预防突然降温的准备, 要对产品进行结冰预防。
 - 因为有结冰的危险, 请不要让产品周围的温度在 1℃ 以下。

2 使用步骤

本系统是根据卫生、经济的理念进行设计的。

① 感应

使用者接近时，感应器会自动感应。

(注) 电源接入后 10 分钟内，感应器每次感应后人体检测感应灯将点亮，10 分钟后即使感应此灯也不亮。



② 感应冲洗

连续 6 秒以上感应到的使用者离开后，感应器会根据信号自动冲洗。



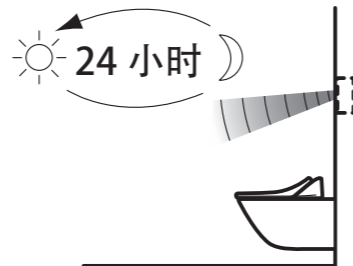
③ 手动冲洗

按下大便器的冲洗按钮进行冲洗。



④ 设备定时保护

在长时间未冲洗的情况下，出于保护座便器的目的，产品将自动进行冲洗。
(24 小时/周期)



⑤ 缓冲时间

从信号装置处接受到操作信号后，产品会自动冲洗，为防止浪费水，前一次冲洗后，10 秒钟以内即使再接受到信号，产品也不会再次冲洗。

6 Fault Analysis

● The following cases are not faults.

Before reporting for repair, please confirm the following matters first. If none of them can be repaired, then report for repair.

Before reporting for repair			
Symptom	Place requiring confirmation	Solving method	
No water output	Water outputs when using the manual	Any dirt attaching to the surface of the sensation window or not	Install the dry batteries correctly
		Any obstruction before the sensor or not	Take the obstruction away
		The dry batteries are installed correctly or not	Remove the dirt
	No water output even when the manual button is used	The connector is plugged correctly or not	Plug the connector properly
		The Inductive lamp for human body detection blinks or not when the sensor senses any people	Exchange the batteries
		Any water stop or not	Wait for water supply resumption
Water flows ceaselessly	The water inlet foot valve is opened or not	Open the water inlet foot valve	
	On the filter net of the piston valve, there is any garbage to clog it or not	Clean the filter net of the piston valve	
	On the small hole of the piston valve, there is any garbage to clog it or not	Clean the small hole of the piston valve	
The flush water amount is small	If it is unable to stop the water flow after confirming the above conditions, please close the water inlet foot valve		
	The water inlet foot valve is adjusted for an appropriate water amount or not	Open the water inlet foot valve and adjust for an appropriate water amount	
	The flush water amount adjustment is correct or not	Please adjust the flush water amount appropriately	

4 About battery exchange

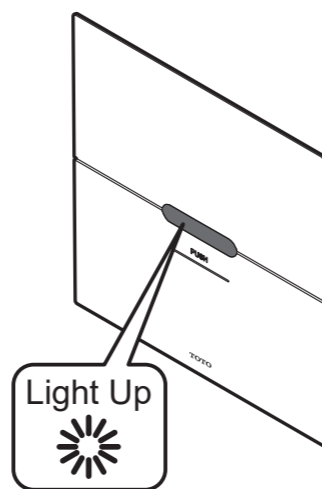
[Remind the time for battery exchange]

When the batteries will be used up soon, the Inductive lamp for human body detection will blink continuously at a frequency of 1 second interval when the sensor senses a human body each time.

The maximum blinks can be as many as 15 times.

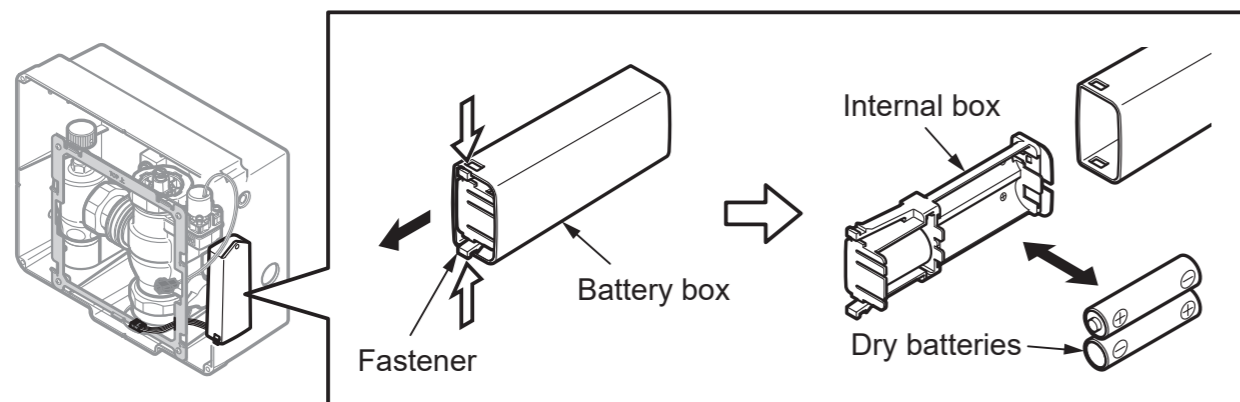
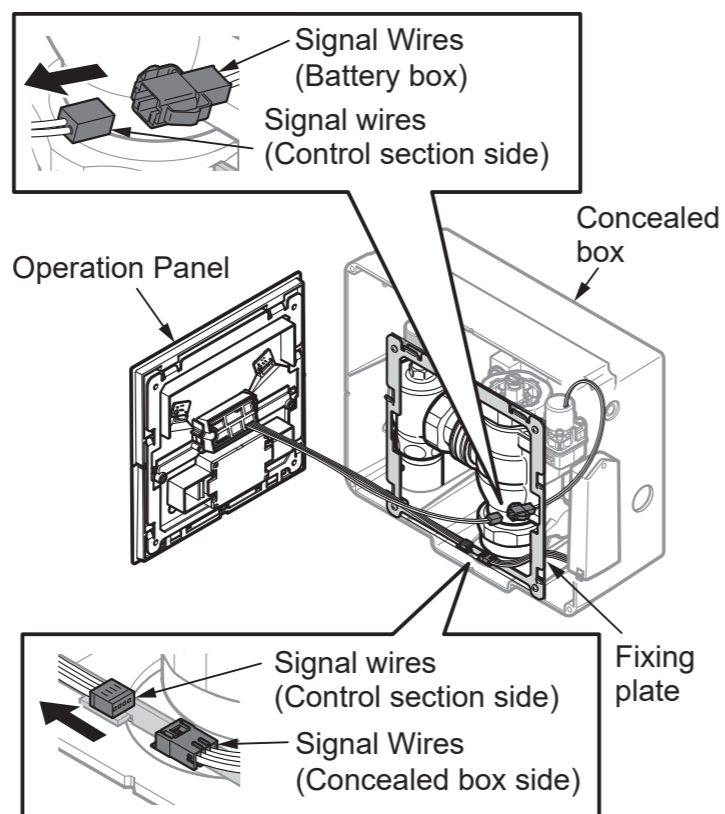
At this point, batteries should be exchanged as soon as possible.

Please use two No. 5 alkaline dry batteries. At a frequency of 4,000 times each month, they will last for two years.



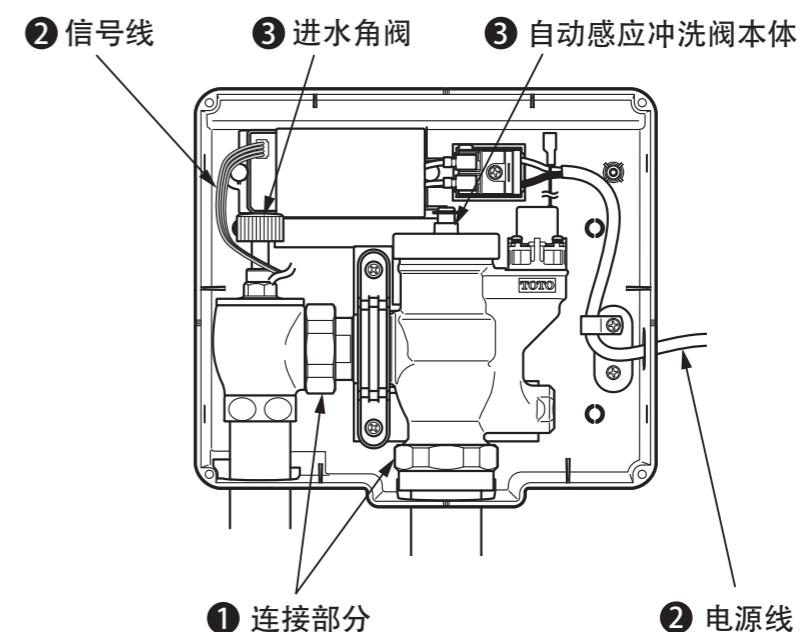
[Battery exchange method]

- ① Unplug the connector.
- ② Take out the internal box by pushing inward the fastener at the lower part of the battery box.
- ③ After exchanging the dry batteries (two No. 5 batteries), install the battery box back to the original position.
- ④ Please exchange all batteries once for all to avoid mingling of new and old batteries.
- ⑤ Please dispose and collect the old batteries properly to avoid environmental pollution.



3 检查项目

安装完成后，请确认以下项目



确认是否漏水

请确认是否有漏水现象

① 连接部分是否都连接牢固?

↳ 参照：安装说明书 6—1 「安装自动冲洗阀本体组件」

确认配线

请确认插接口及信号线、电源线是否都已连接

② 插接口处是否已连接?

↳ 参照：安装说明书 6—4 「电源线的连接」

确认是否牢固固定

请确认是否有摇晃现象?

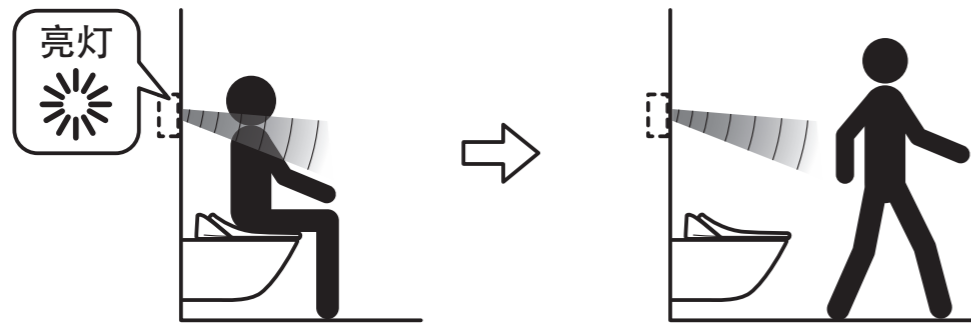
③ 自动冲洗阀本体及进水角阀是否牢固固定?

↳ 参照：安装说明书 6—1 「安装自动冲洗阀本体组件」

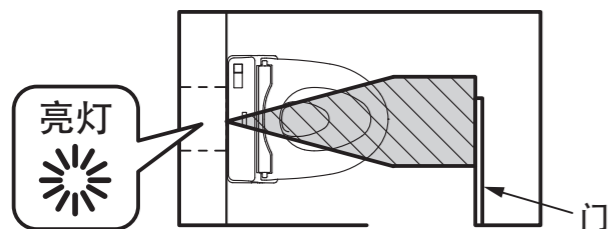
4 试运转

1 感应器试运转

在感应器前坐下，人体检测感应灯自动亮起，亮灯6秒后离开感应灯自动熄灭，约3秒后，产品自动冲洗。



感应器在 10 分钟以上感应到障碍物时，会自动调节距离，在此期间需稍作等待。上述操作完成后，感应器仍感应到卫生间墙壁门板或便器时，必须重新设置感应距离。



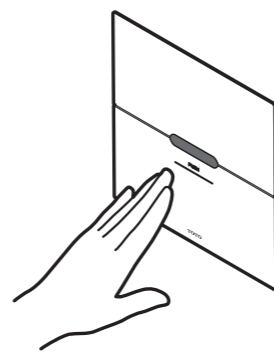
※感应器如果感应到墙壁或门，则感应人体功能无法正常使用，不能进行大小冲洗的识别和自动冲洗。

2 手动冲洗试运转

请确认按下操作面板的按钮后，产品冲洗。但是请注意，冲洗 1 次之后大约 11 秒后才能再次冲洗。

手动冲洗

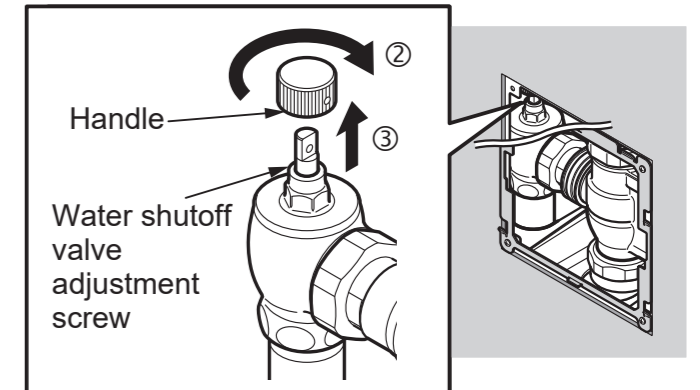
确认内容：按下按钮后，产品冲洗。



3-2 Cleaning of Water Shutoff Valve Filter (twice a year)

- Use the handle to fully close the water shutoff valve.
*Or make sure the main valve is off before starting the work.

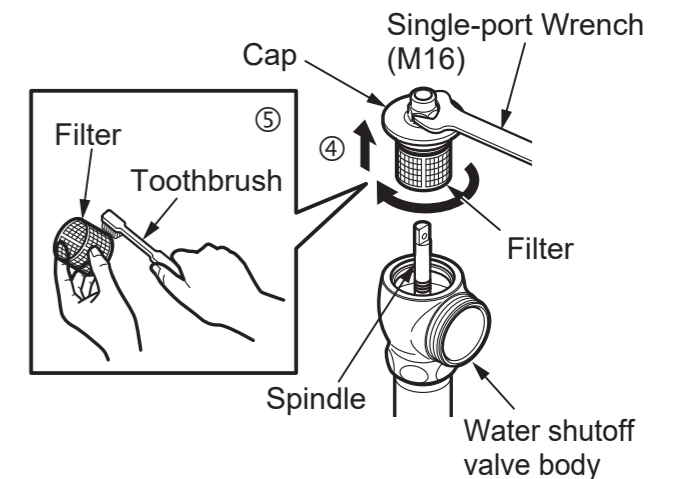
Do not lose the handle.



- Remove the handle.

- Open the water shut-off valve cap with a wrench and pull out the entire filter.

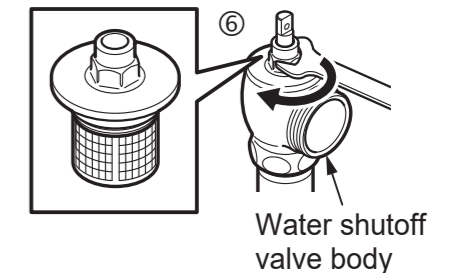
At this time, be careful not to let the filter fall into the water shutoff valve.



- Remove the filter from the cap, use a toothbrush to remove any foreign matter.

- Install the filter into the cap, insert this cap into the water shutoff valve body, and then tighten it securely with a one-end wrench.

- Do not force the cap closed if the filter is not in the proper position in the water shutoff valve. Otherwise the filter will be damaged.
- When opening and closing the cap, close the spindle securely. Otherwise, it may cause water leakage or damage.



Non-quantitative type requires no maintenance. (TREF85U*, TREF85K*)

3-1 Cleaning of Water Shutoff Valve Filter (twice a year)

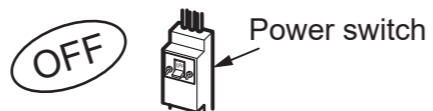
Constant flow type only (TREF45U, TREF45K*, TREF45L*)

Important

If the faucet has been used for a long period of time (more than 10 years), the metal inside the stopper may be corroded. Close the main valve before starting any work.

Water may not stop, or water leakage may cause damage to property, such as household goods.

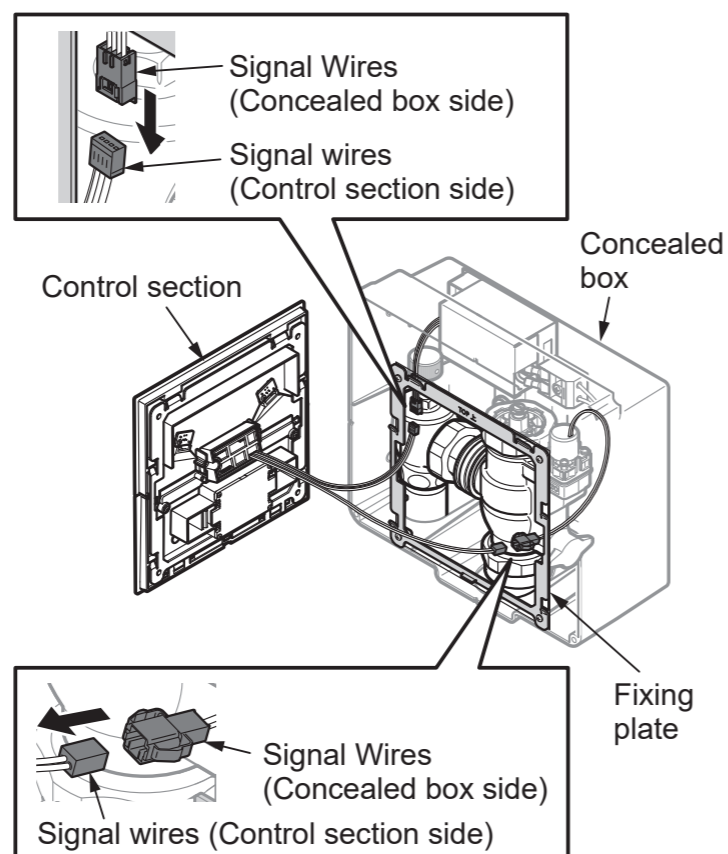
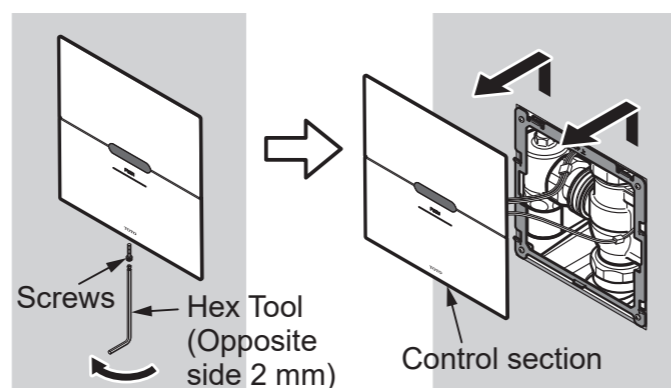
Make sure the power is off before doing this work.



[Preliminary work]

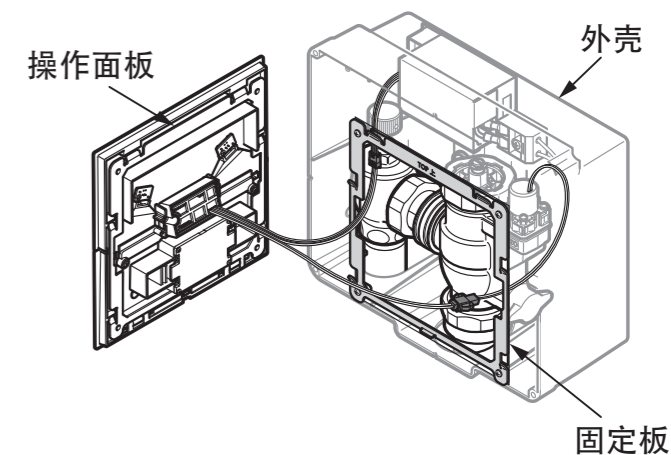
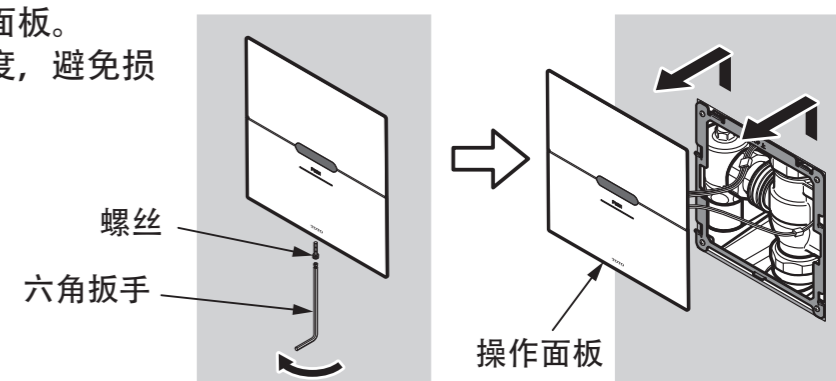
① Remove the control section from the fixing plate, disconnect the signal wires on concealed box side and the signal wires on the control section side.

Also, disconnect the signal wire for the solenoid valve.

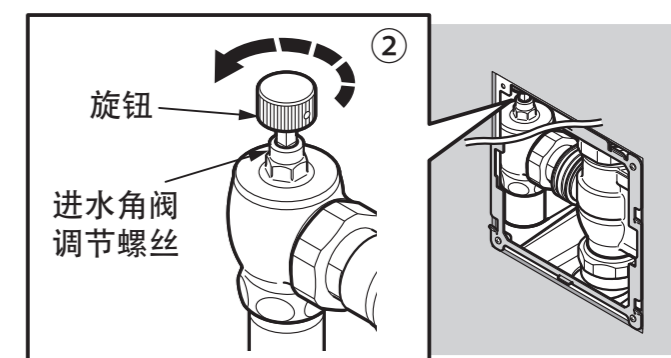


3 水量的确认

① 从固定板上拆下操作面板。
※拆卸时注意拆卸力度，避免损坏信号线。



② 使用图示的旋钮，先将进水角阀完全关闭，然后边慢慢打开边调节。



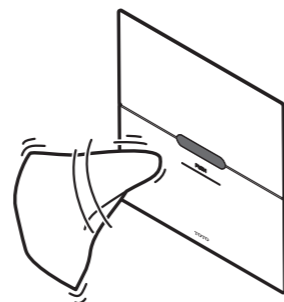
③ 边确认大便器的冲水，边调节到合适的水量。

由于定流量阀的特性所致，在一些现场的设置水压下，会发出脉动声音，属于正常现象。如果觉得不适，可通过拧小进水角阀减小声音。

5 维护保养

1 日常保养

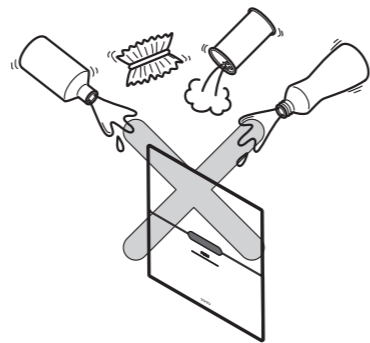
- 轻度污损时
用冷水或温水将布打湿拧干后，擦拭产品
- 严重污损时
请用布蘸取适量的稀释后的中性洗涤剂擦拭产品，随后水洗，最后用布擦干



提示

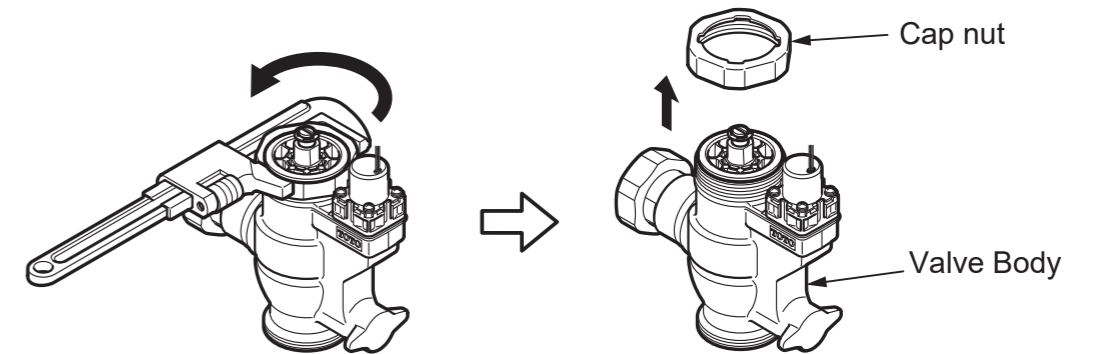
请勿使用会损伤操作盘表面的溶剂。

- 酸性洗涤剂、漂白剂、碱性洗涤剂。
- 香蕉水、汽油等的溶剂。
- 清洁剂、去污粉、含有粗颗粒洗涤剂。
- 尼龙刷帚、刷帚、刷子。

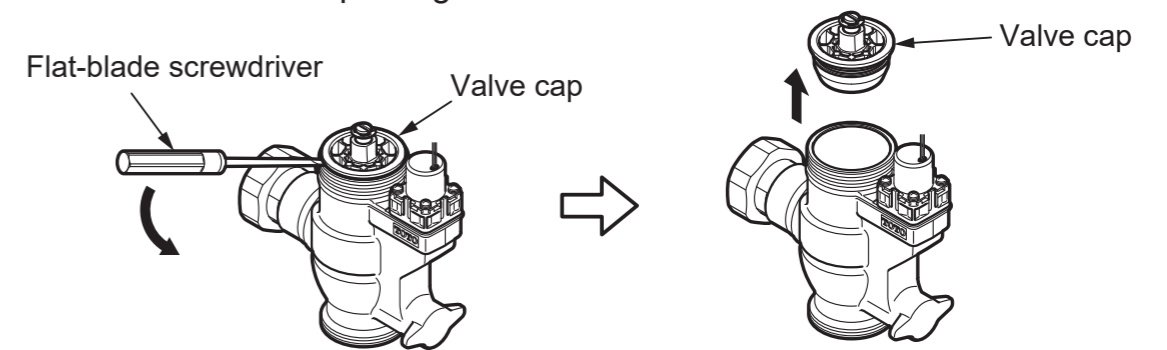


2-3 Cleaning of Piston Valves (twice a year)

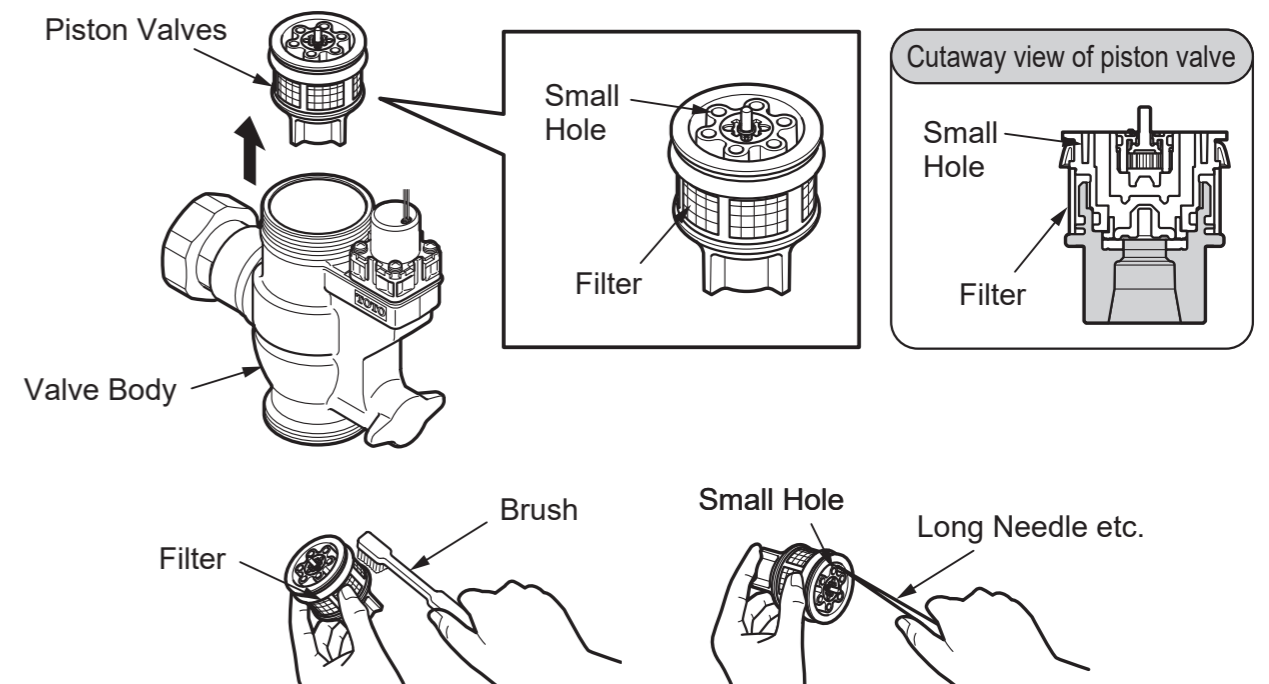
① Remove the cap nut using a motor spanner.



② Remove the valve cap using a flat-blade screwdriver.



③ Remove the piston valve and then clean the filter and small hole.
Clean the rubbish and stains attached to the filter with a brush.
Clean the rubbish and stains attached to the hole with a long needle.

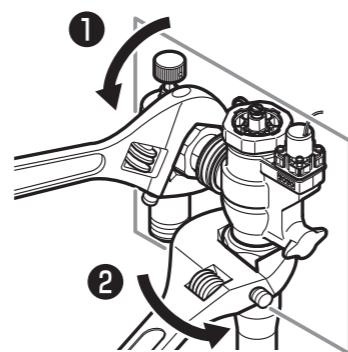


④ Put the piston valve back to the original position and put the cover back.

⑤ Insert the connectors, open the water shutoff valve, and adjust it to the suitable water pressure.

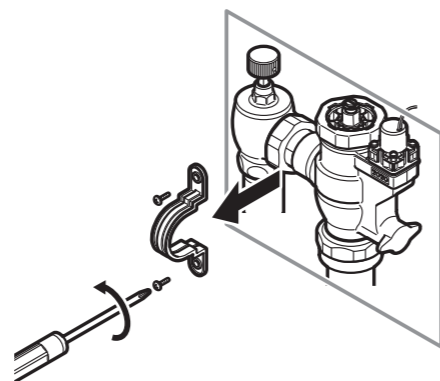
2-2 Cleaning of Piston Valves (twice a year)

③ Loosen the tube nut on the water shutoff valve side (①) and the tube nut on the flushing pipe side (②) with an adjustable wrench.

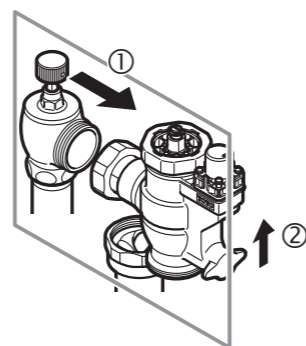


- * ① An adjustable wrench with a maximum opening of 45 mm or more and thin jaws is recommended.
- * ② A movable wrench with a maximum opening of 52 mm or more is recommended.

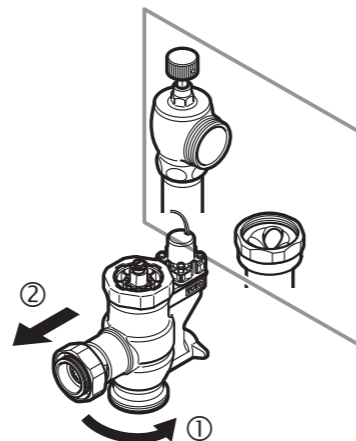
④ Remove the holder securing the valve body to concealed box.



⑤ Pull the flush valve out laterally from the water shutoff valve (①) and confirm that the flushing pipe and flush valve are detached (②).

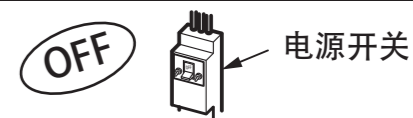


⑥ Confirm and take out the valve when it is not attached anywhere.



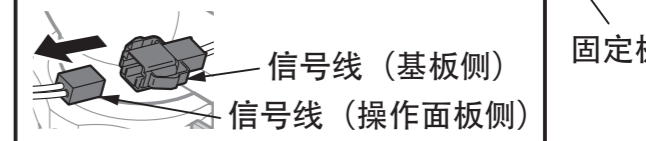
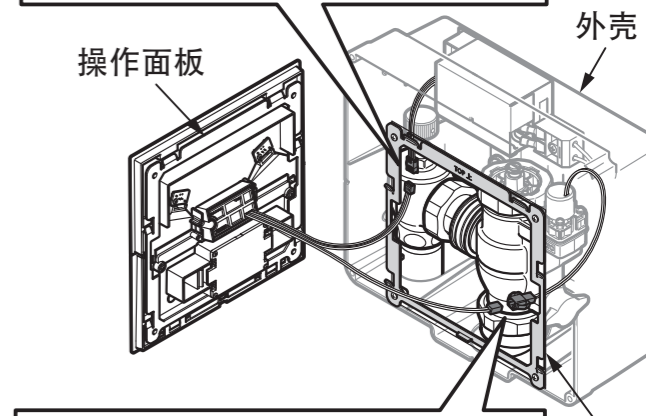
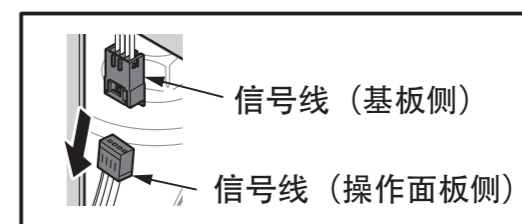
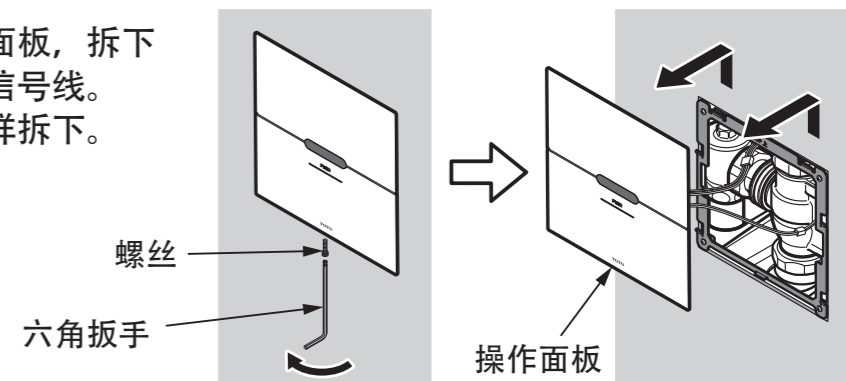
2-1 自动感应冲洗阀本体的清扫 (每年2次)

进行下述作业时, 请务必在作业前确认已切断电源开关。



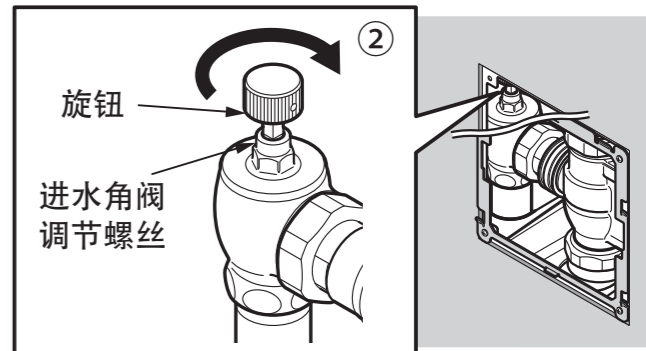
【事前作业】

① 从固定板上拆下操作面板, 拆下外壳侧和操作面板侧信号线。电磁阀用信号线也同样拆下。



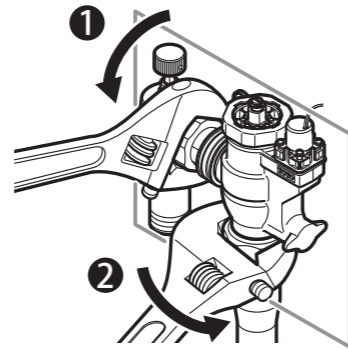
② 使用附带的旋钮将进水角阀调节螺丝调到全关闭状态。

请注意不要弄丢旋钮。



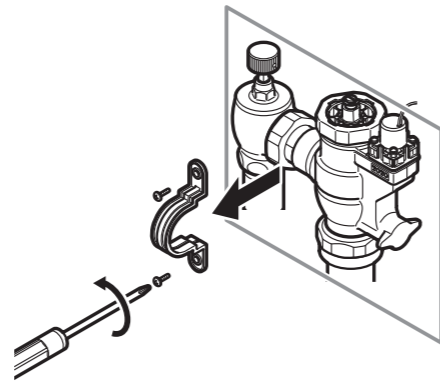
2-2 自动感应冲洗阀本体的清扫 (每年2次)

- ③用活动扳手松开进水角阀处螺母 (1) 用活动扳手松开带逆止阀排水管处螺母 (2)。

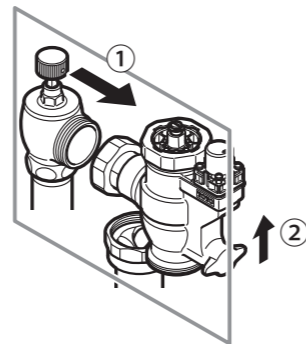


- ※①建议使用最大开口45mm以上的活动扳手
 ※②建议使用最大开口52mm以上的活动扳手

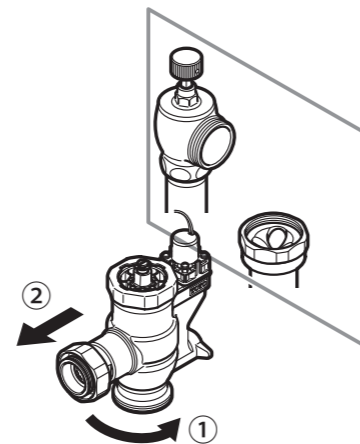
- ④拆下将阀门本体固定在外壳上的固定架。



- ⑤因阀门的接头部插入在进水角阀侧，横向拔出。

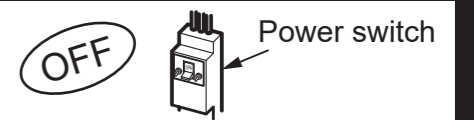


- ⑥确认所有位置都没有被固定后，取出阀门本体。



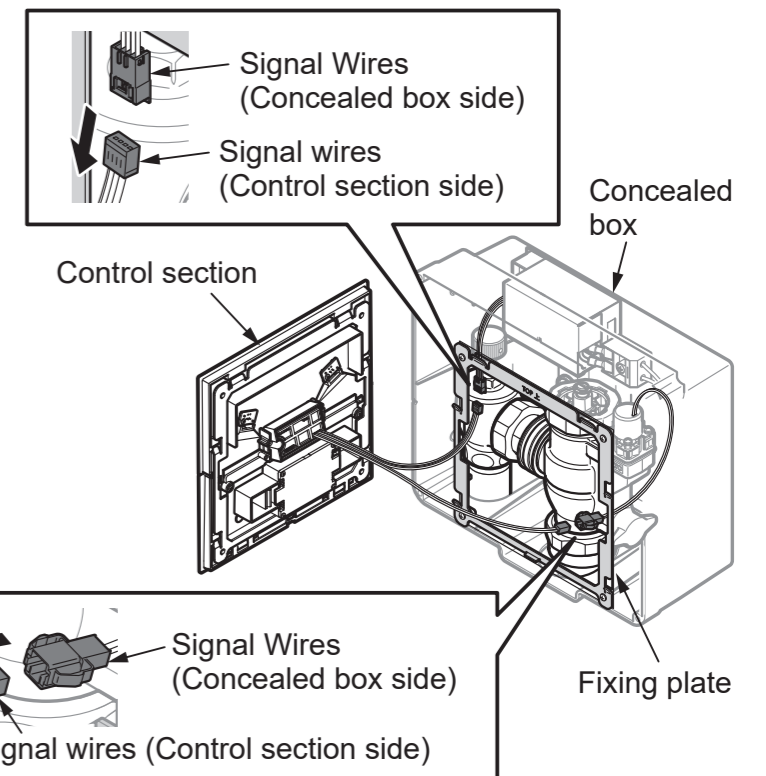
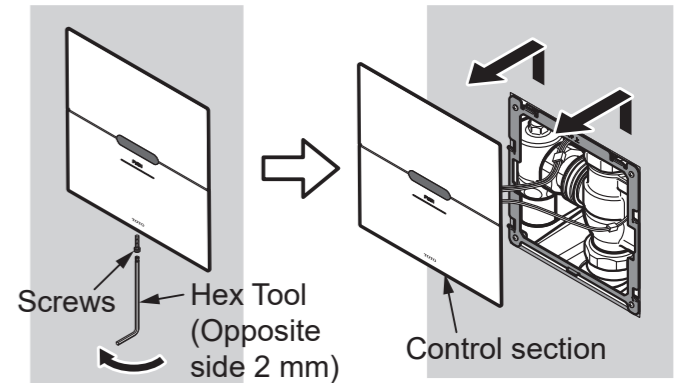
2-1 Cleaning of Piston Valves (twice a year)

Make sure the power is off before doing this work.



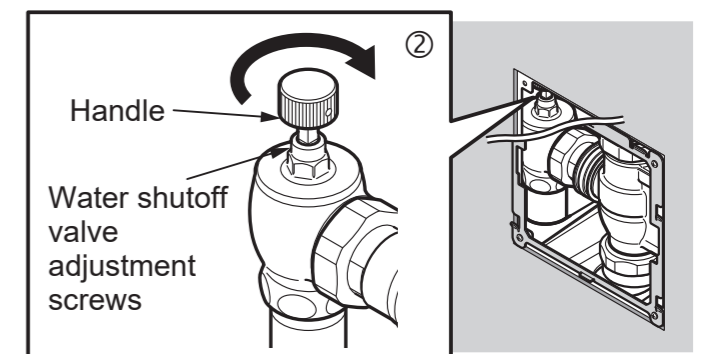
[Preliminary work]

- ①Remove the control section from the fixing plate and disconnect the signal wires on concealed box side and the signal wires on the control section side. Disconnect the signal wire for the solenoid valve in the same way.



- ②Use the attached handle to fully close the water shutoff valve.

Do not lose the handle.



5 Maintenance and Care

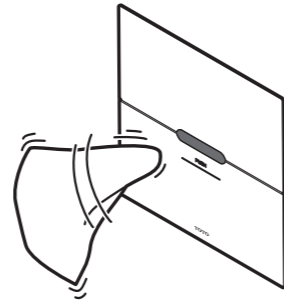
1 Daily maintenance and care

● Slightly stained

Wet a cloth with cool water or warm water, wipe the valve with the cloth.

● Heavy stained

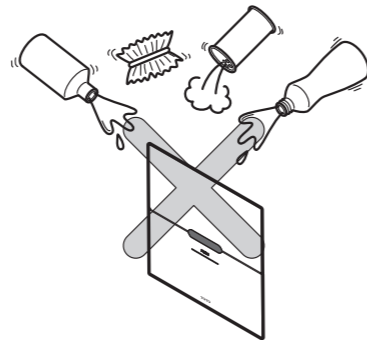
Wipe the valve with a cloth soaked with properly diluted neutral detergent. Then wash the valve with water, and finally wipe it with a dry cloth.



Note

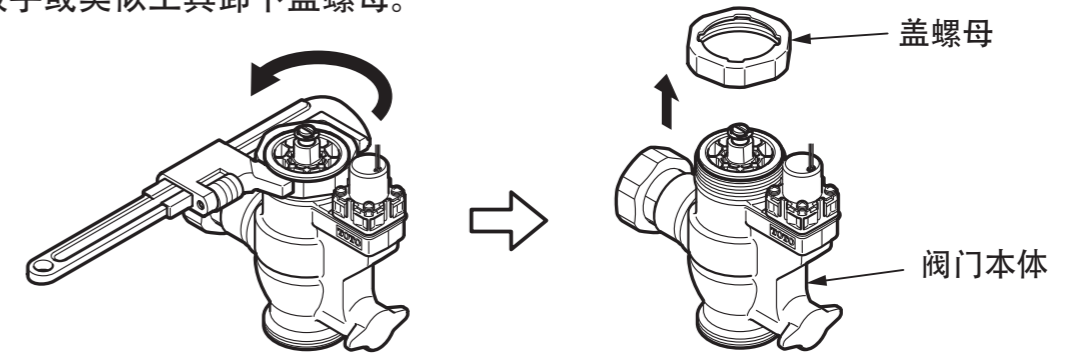
Do not use solvents that may damage the surface of the control section.

- Acid detergents, bleaching agent, or alkaline detergents.
- Diluents like amyl acetate and gasoline.
- Cleansers, polish powder, detergents that include coarse particles.
- Nylon scrubs, sweepers, or brushes.

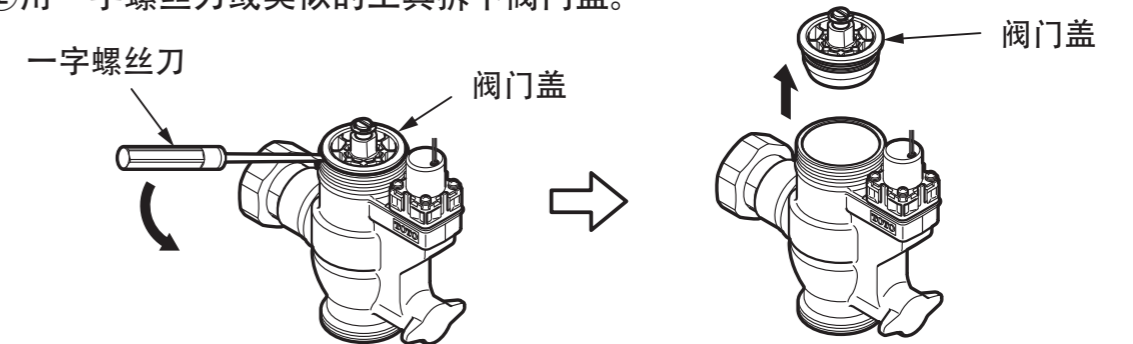


2-3 自动感应冲洗阀本体的清洗（每年2次）

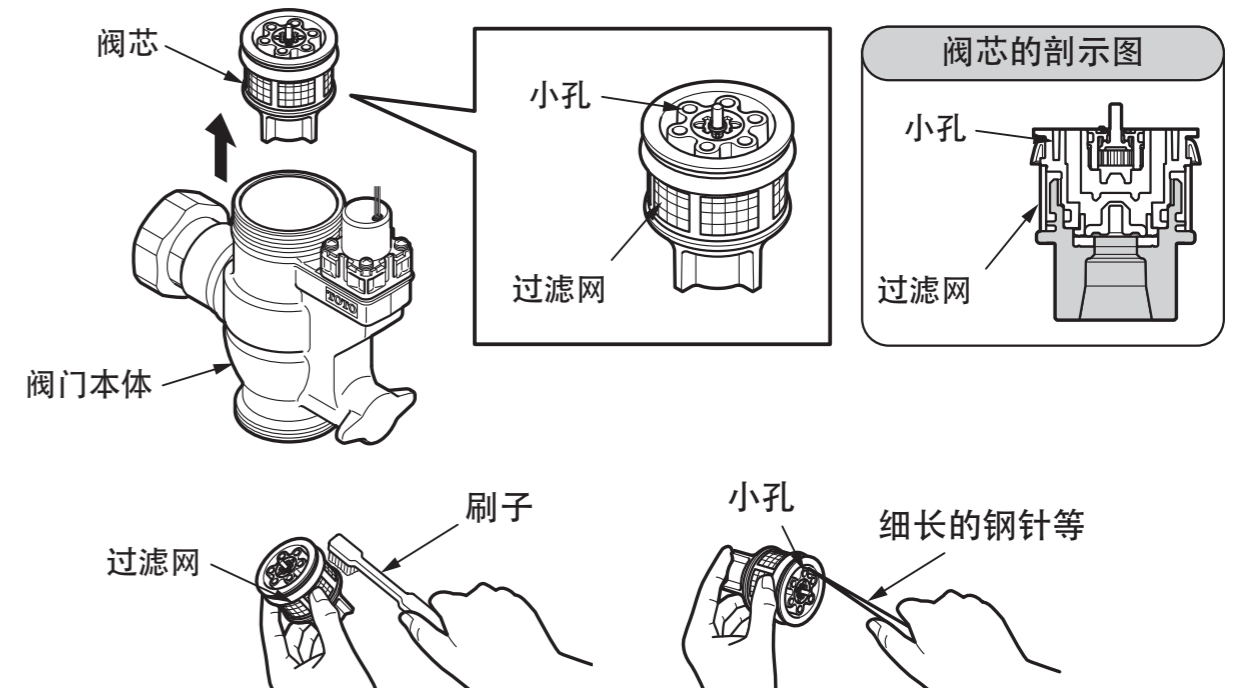
①用扳手或类似工具卸下盖螺母。



②用一字螺丝刀或类似的工具拆下阀门盖。



③拆下阀芯，清扫过滤网和小孔。
 请用刷子去除粘附在过滤网上的垃圾和污垢。
 请用细长的钢针清除粘附在沟槽和小孔上的垃圾和污垢。



④将活塞阀和阀盖放回原位，并拧紧盖螺母。

⑤插入连接器，打开进水角阀，调节到合适的水压。

3-1 进水角阀过滤网的清扫（每年2次）

※仅限定量型（TREF45U*、TREF45K*、TREF45L*）

重要

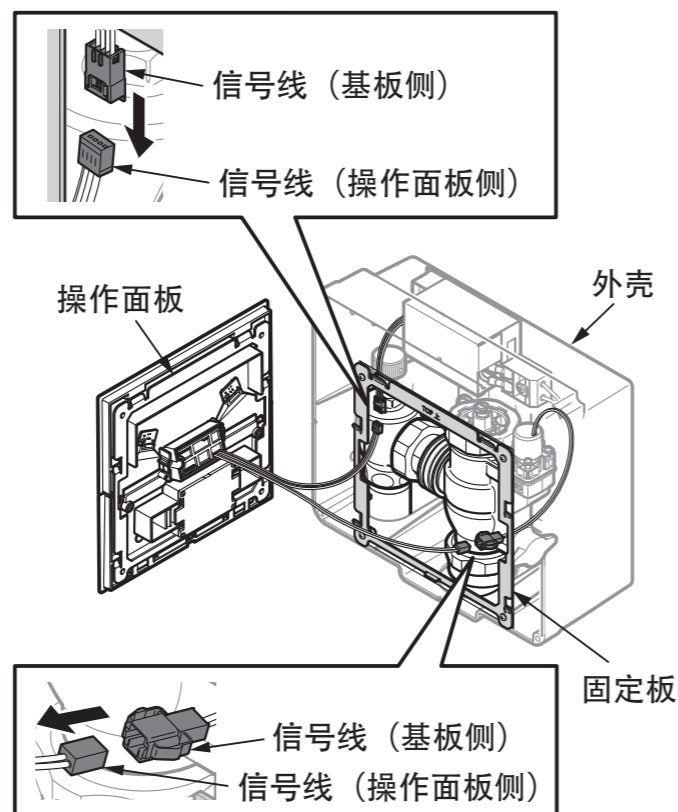
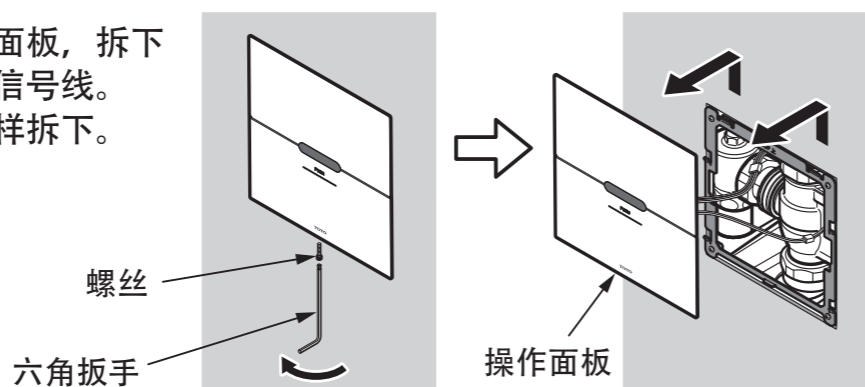
当长年使用时（约10年以上），进水角阀内部的金属可能会腐蚀，因此，请关闭总阀后开始作业。
否则水可能会喷出，污损家具、造成财产损失。

进行下述作业时，请务必在作业前确认已切断电源开关。



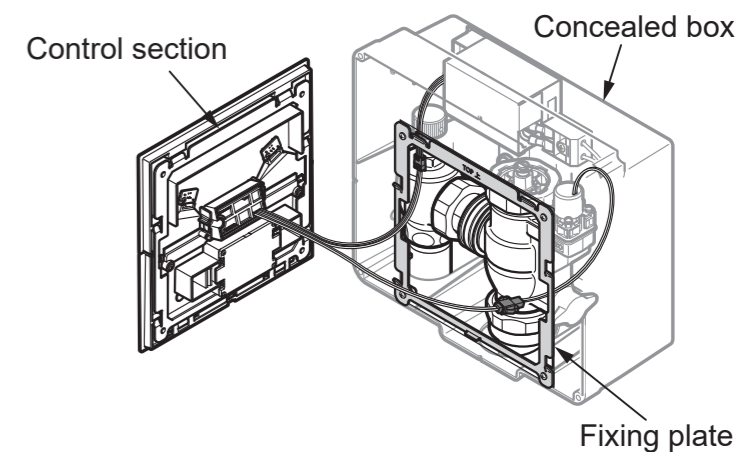
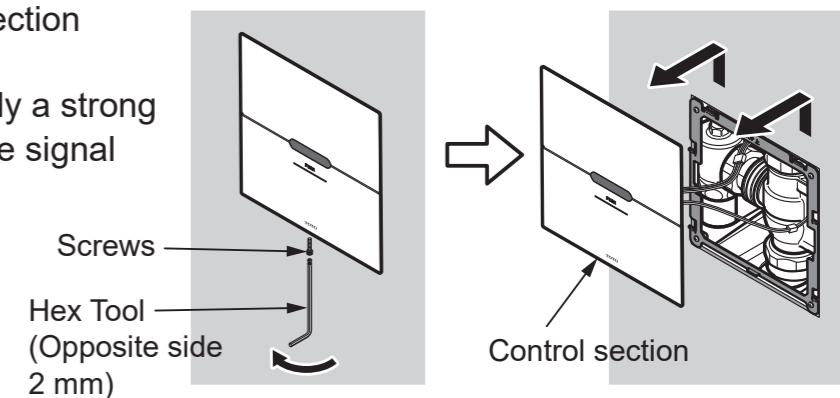
【事前作业】

- ①从固定板上拆下操作面板，拆下外壳侧和操作面板侧信号线。电磁阀用信号线也同样拆下。

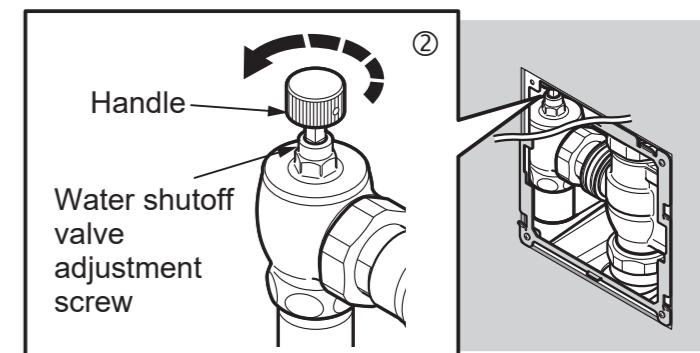


3 Confirmation of Water Level

- ①Remove the control section from the fixing plate.
*Be careful not to apply a strong force and damage the signal lines.



- ②Use the attached handle to fully close the water shutoff valve once and adjust it while gradually opening it.
③Check the water flow to the appropriate level while checking the toilet bowl flow.

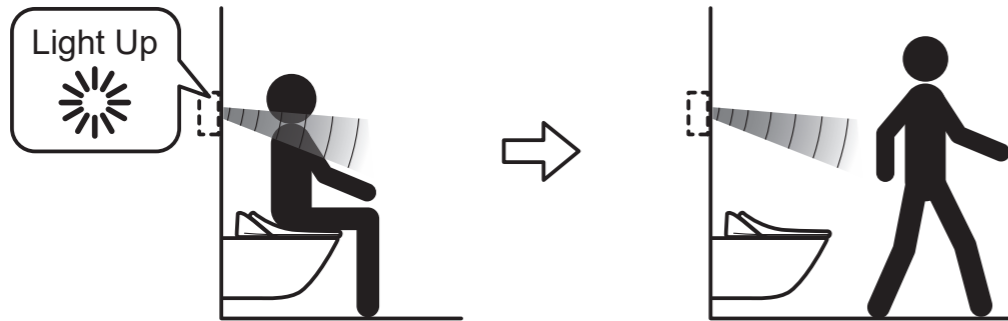


Depending on installation conditions, such as on-site water pressure, a pulsating sound may be generated because of the characteristics of the constant flow valve; this is not abnormal. If the noise is bothersome, the noise may be reduced by turning the water shutoff valve off.

4 Trial Run

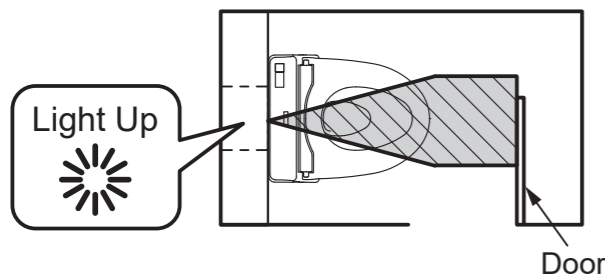
1 Sensor Trial Run

Sit in front of the sensor, if the user is sensed, the sensor indicator light is on, and the user gets up and leaves after it lights up for more than 6 seconds; make sure the sensor indicator lights is off and the flushing water is automatically flushed out after about 3 seconds.



If an obstacle is sensed for more than 10 minutes, wait for the distance automatically adjusted.

If this still senses the wall of the toilet seat or the toilet bowl, the sensing distance must be reset.



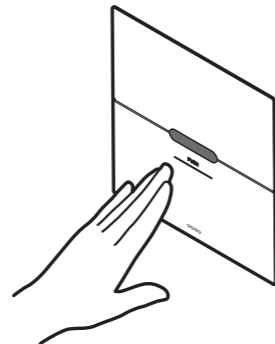
*If the sensor detects a wall or door, it will not be able to accurately detect the human body and will not be able to determine large or small washing or perform automatic washing.

2 Operation buttons Trial Run

Confirm that water flushes when the button on the control section is pressed. Note that once the unit has been cleaned, it cannot be re-cleaned for approximately 11 seconds.

Cleaning with button

Check item: Press the button, and the valve discharges water.



3-2 进水角阀过滤网的清扫 (每年2次)

- ②使用旋钮将进水角阀调节螺丝调到全关闭状态。
※或将总开关关闭后作业。

请注意不要弄丢旋钮。

- ③取出旋钮。

- ④用单口扳手拧开进水角阀的盖子，取出过滤网。

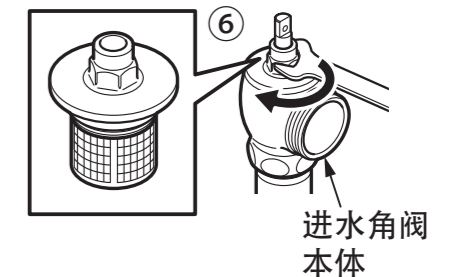
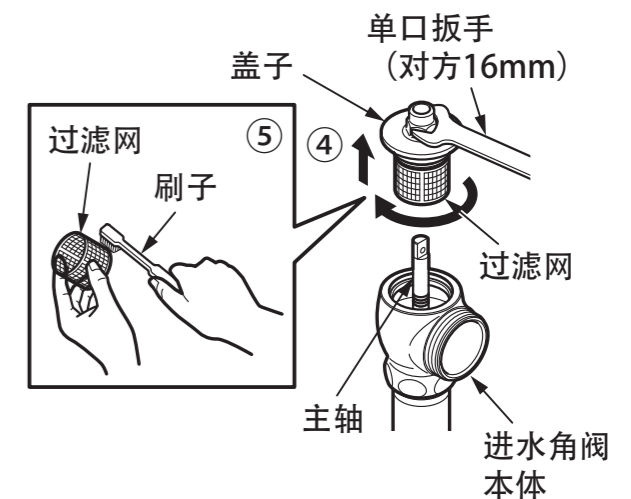
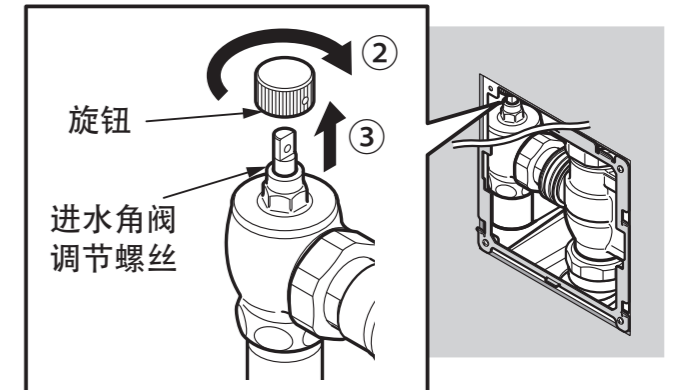
此时，请注意不要让过滤网掉到进水角阀内。

- ⑤从盖子上拆下过滤网，用刷子等清除异物。

- ⑥将过滤网安装到盖子上，在此的状态下将盖子插入进水角阀本体，用单口扳手切实拧紧。

- 当过滤网卡住在进水角阀，请不要强行拧紧盖子。否则过滤网会破损。
- 拧开或拧紧盖子时，请务必关上主轴。否则会导致漏水或破损。

非定量型 (TREF85U*、TREF85K*) 无需维护。拆除盖子可能会造成泄漏，导致大面积损坏。在进行维护时，一定要检查是否为定量型。



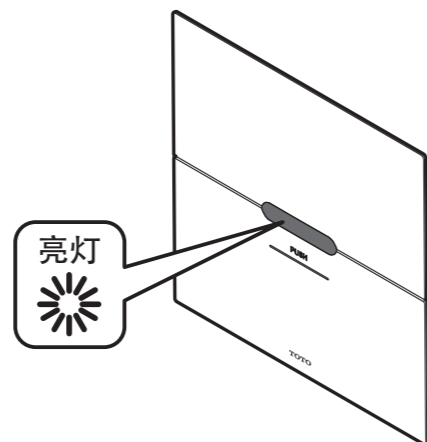
4 关于更换电池

[提醒更换电池的时间]

电池即将耗尽时，感应器每次感应到人体时，人体检测感应灯将会以间隔为1秒的频率连续闪烁，最多可达15次。

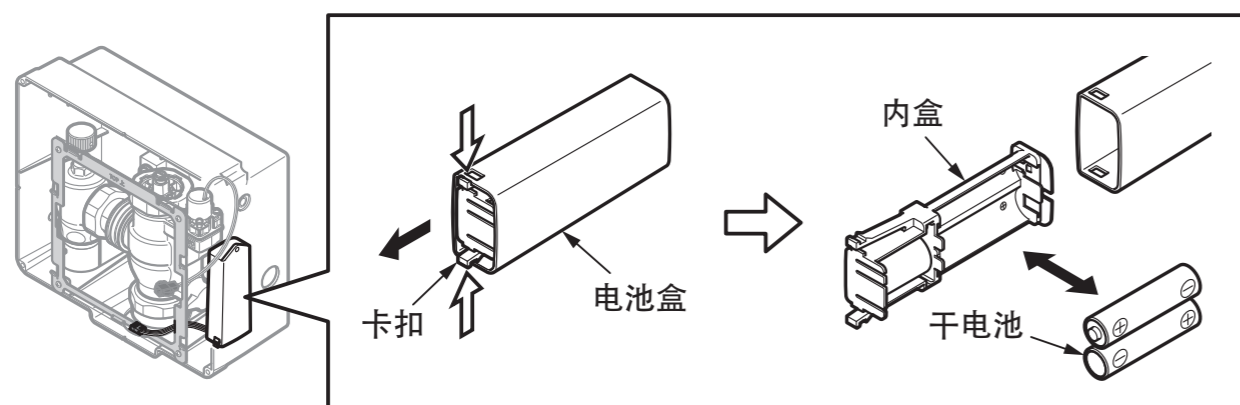
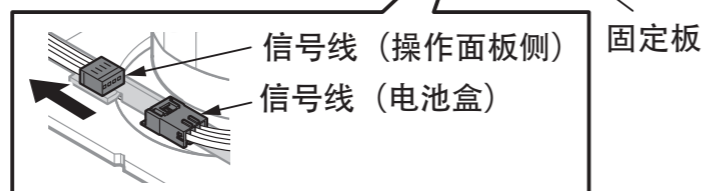
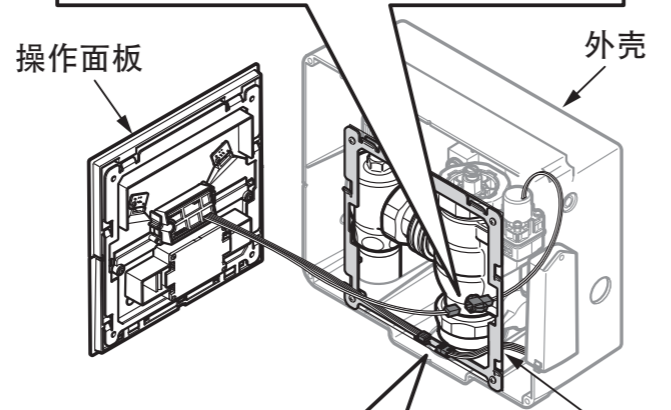
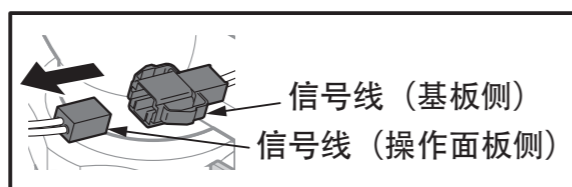
此时请尽快更换电池

请使用5号碱性干电池2节。每月4000次的使用频率下，可使用2年。



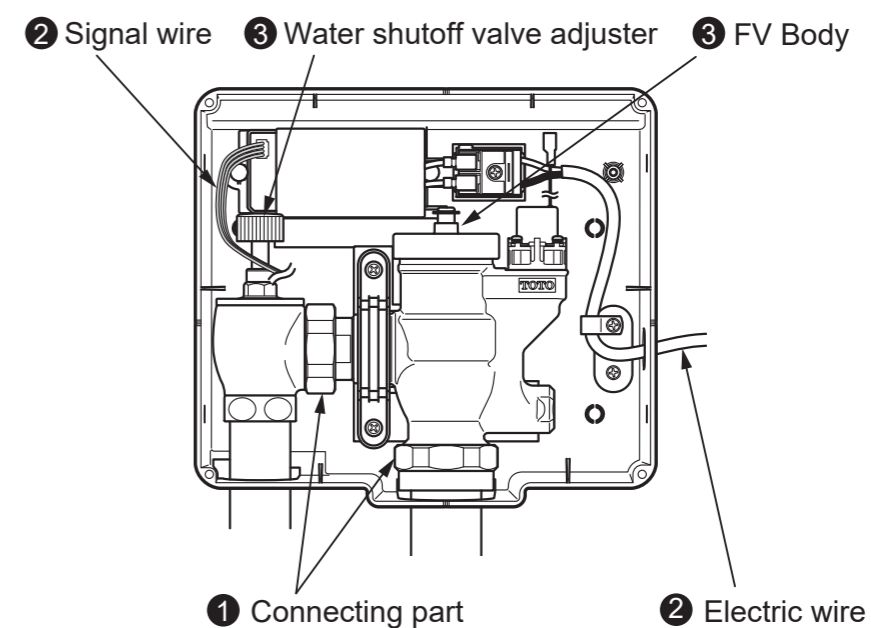
[干电池更换方法]

- ① 拔下插接件
- ② 向内推电池盒下部的卡扣，取出内盒
- ③ 更换干电池（5号x2节）后，将电池盒装回原来的位置
- ④ 请一次性更换所有电池，以免新旧电池混用
- ⑤ 废旧电池请妥善处理 and 回收，以免污染环境



3 Checking Items

Check the following items after installation



Check the water leakage

Check if water leakage happens

- ① Check if the connections are securely connected?

Refer to: Instruction for Installation

⑥ — ① "Automatic flush valve assembly"

Check the wire

Check if all the connectors, signal wire and power cord are securely connected

- ② Are the connectors all securely connected?

Refer to: Instruction for Installation

⑥ — ④ "Connection of power wires"

Check if the valve is securely connected

Is the main unit for auto flush securely connected to the water shutoff valve?

- ③ Are the Auto Flush Valve main unit and the water shutoff valve securely connected?

Refer to: Instruction for Installation

⑥ — ① "Automatic flush valve assembly"

2 Steps for Use

This system was designed based on relevant hygienic, economic philosophies.

① Sensation

When a user approaches, the sensor will sense automatically.
 [Note] Within 10 minutes after connecting the power supply in, the Inductive lamp for human body detection will become on after the sensor senses each time. After 10 minutes, this lamp is not on even in case of sensation.



② Inductive flush

The sensor will flush automatically according to the signal after a user sensed continuously for 6 seconds leaves.



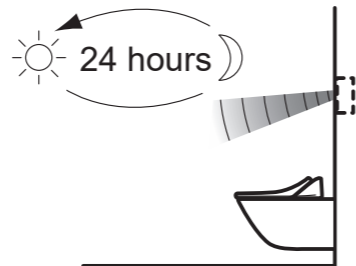
③ Manual flush

Press the toilet bowl flush button for flushing.



④ Equipment timing protection

In case of no flush for a long time, the product will flush automatically out of the purpose for protecting the toilet seat.
 (24 hours/period)



⑤ Prohibition time

After receiving an operating signal from the signal device, the product will flush automatically. To prevent water wasting, the product will not flush again even if it receives a signal within 10 seconds after the previous flush.

6 故障处理

●以下情况，并非故障

报修前，请先确认以下事项，若还是不能修复的话，再报修。

报修前			
现象	需要确认的地方	解决方法	
不出水	使用手动按钮时会出水	感应窗的表面是否附有污垢	清除污垢
		感应器前是否有障碍物	取走障碍物
		干电池是否正确安装	正确安装干电池
	按钮使用手动按钮不出水	插接件是否正确插入	插好插接件
		感应器在感应到人时，人体检测感应灯是否在闪烁	更换电池
		是否停水	等待供水恢复
水流不止	进水角阀是否已打开	打开进水止水阀	
	活塞阀的过滤网上是否有垃圾堵塞	清洗活塞阀的过滤网	
	活塞阀的小孔内是否有垃圾堵塞	清洗活塞阀上的小孔	
冲水水量少	在确认以上的情况后，还不能停止水流的话，请关闭进水角阀		
	进水角阀是否调整到适量的水量	打开进水角阀，调节到适当的水量	
	冲水水量的调节是否正确	请适当调节冲水的水量	

※部分故障的解决方法也可参考说明书尾页的二维码中的技术资料

7 电子产品中的有害物质的名称及含有量

感应式大便器冲洗阀 (埋入式·干电池型)

产品中的有害物质的名称及含有量

部件名称	有害物质					
	铅 (Pb)	汞 (Hg)	镉 (Cd)	六价铬 (Cr [VI])	多溴联苯 (PBB)	多溴二苯醚 (PBDE)
按钮基板	○	○	○	○	○	○
光电感应器	○	○	○	○	○	○
电线	○	○	○	○	○	○
电容	○	○	○	○	○	○
干电池	○	○	○	○	○	○
电磁阀	○	○	○	○	○	○
通水主体	×	○	○	○	○	○
电池盒	○	○	○	○	○	○
进出水管	×	○	○	○	○	○
外壳	○	○	○	○	○	○
操作面板部	○	○	○	○	○	○

本表格依据 SJ/T 11364-2014 的规定编制。

○：表示该有害物质在该部件所有均质材料中的含量均在 CB/T 26572 — 2011 规定的限量要求以下。

×：表示该有害物质至少在该部件的某一均质材料中的含量超出 GB/T 26572 — 2011 规定的限量要求。

(且目前业界没有成熟的替代方案，符合欧盟 RoHS 指令环保要求)

本标示数字表示产品在正常使用状态下的环保使用期限为 10 年。

感应式大便器冲洗阀 (埋入式·交流电型)

产品中的有害物质的名称及含有量

部件名称	有害物质					
	铅 (Pb)	汞 (Hg)	镉 (Cd)	六价铬 (Cr [VI])	多溴联苯 (PBB)	多溴二苯醚 (PBDE)
电线	○	○	○	○	○	○
按钮基板	○	○	○	○	○	○
光电感应器	○	○	○	○	○	○
控制器	○	○	○	○	○	○
电源接线台	○	○	○	○	○	○
电磁阀	○	○	○	○	○	○
通水主体	×	○	○	○	○	○
进出水管	×	○	○	○	○	○
外壳	○	○	○	○	○	○
操作面板部	○	○	○	○	○	○

本表格依据 SJ/T 11364-2014 的规定编制。

○：表示该有害物质在该部件所有均质材料中的含量均在 CB/T 26572 — 2011 规定的限量要求以下。

×：表示该有害物质至少在该部件的某一均质材料中的含量超出 GB/T 26572 — 2011 规定的限量要求。

(且目前业界没有成熟的替代方案，符合欧盟 RoHS 指令环保要求)

本标示数字表示产品在正常使用状态下的环保使用期限为 10 年。

如果您需要废弃本产品，请勿将其作为一般生活垃圾处理，请依照法规经由独立的回收体系进行合适的处理、恢复和回收。

1 Precautions for Safety (be sure to comply to ensure safety)

⚠ Caution		
	Please do not install any throttling device that inhibits or obstructs normal water flow. (Otherwise, it may affect flushing performance and lead to water leakage.)	Throttling device
	It is imperative to execute	
	Dismantling is prohibited	
	It is imperative to execute	
	It is imperative to execute	

⚠ Caution

- For use in places where frost damage may occur, implement anti-freezing measures. The parts will sustain frost damage, which may cause water leakage and property loss. Damage caused by frost is repaired for a fee even during the warranty period. Please make sure that the ambient temperature of the product is always above 1°C.

Anti-freezing measures

- For use in places where frost damage may occur, implement anti-freezing measures.
1. The parts will sustain frost damage; therefore, anti-freezing measures must be implemented.
 2. Damaged parts caused by frost are repaired for a fee even during the warranty period.
 3. After the construction is completed or when the product is not used for a long time, prepare to prevent sudden drops in temperature and prevent frost damage to the product.
 4. Because of the risk of frost damage, please make sure that the ambient temperature of the product is always above 1°C.

1 Precautions for Safety (be sure to comply to ensure safety)

Before installation, please read carefully the "Precautions for Safety" section and install the unit correctly according to the information therein.

● Symbols are used for safe and proper installation of the Flush Valve and in order to alert you to possible personal injury or damage to property.

● The precautions that must be complied with are described and distinguished by the following markings.

The symbols and their definitions are as follows.

Symbols	Definition
Warning	Ignoring these symbols may cause personal injury or even death.
Caution	Ignoring these symbols may cause personal injury or property damage.

	This picture means the action is not allowed or [prohibited]
	Do not install the product in an area exposed to contact with water, condensation, or high humidity
	Do not disassemble
	The instructions that must be followed and are considered mandatory

Warning		
	Do not splash water on the power plug or the function part. It may cause fire or electric shock.	
	Please do not install the product in an area exposed to contact with water, condensation, or moisture.	
	Do not unplug the power cord with wet hands (Otherwise, it may lead to electric shock.)	
	When plugging the power wire into the terminal block, insert it securely all the way to the base. (Otherwise, it may lead to fire or electric shock.) *Be sure to turn off the power breaker before this operation.	

Caution		
	Please do not hit the product. (Otherwise, it may cause a malfunction or water leakage.)	
	Please do not install the product where it is exposed to freezing temperatures. (Otherwise, it may cause a malfunction or water leakage.)	

保证书

用户	
销售安装店	
购买日	
保修期	自购买日起一年内。

* 若上栏内容未记全，该保证书将视为无效。因此请用户购买时对记入内容进行确认。

* 本产品保修卡中保修项目仅限于保证书中所约束的免费维修项目进行维修。

* 在保修期间，若产品发生故障（漏水、渗漏），请拨打全国售后服务电话报修。

维修规定

- 保修期间，在用户正确按安装说明书、不干贴等指示，使用本公司产品的情况下，本公司将对有故障产品进行免费维修。
- 在保修期内发生损坏需要得到免费维修时，请拨打全国售后服务电话报修。
- 在保修期内，下面所列场合的维修为有偿维修。
 - 使用不当或私自进行的不当修理及改造所造成的故障及损伤。
 - 安装施工时的不注意或过失造成的故障及损伤。
 - 安装后又拆移等原因造成的故障及损伤。
 - 超出使用范围以外的场合下使用本产品所造成的故障及损伤（如家庭用商品作为业务上商品使用）。
 - 沙粒或污物等造成的损伤。
 - 由于日常的维护保养不当造成的肮脏、电镀部分生锈等不良。
 - 由于火灾、地震、水灾、雷击及其他天灾、公害、气害（液化气）、盐害及异常电压、使用指定外的电源（电压、频率）等原因造成的故障及损伤。
 - 本保证书没有指定的场合。
 - 本保证书中用户姓名、销售店、安装店、购买日期未填写的场合。
 - 不能出示购买发票的场合。
 - 由结冰引起的故障。
- 本保证书仅适用于中国国内（香港、澳门、台湾地区除外）。
- 本保证书丢失不补，请顾客妥善保管。



Inductive Toilet Bowl Flush Valve (Concealed Type)

Quantitative

TREF75U* <Concealed AC type>

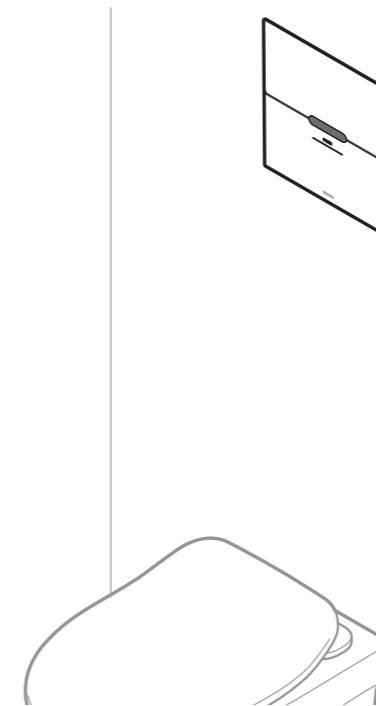
TREF75K* <Concealed dry battery type>

TREF45L* <Concealed AC type>

Non-quantitative

TREF85U* <Concealed AC type>

TREF85K* <Concealed dry battery type>



- Thank you very much for your recent purchase of our TOTO products.
- Please read in detail all the information contained in this manual in order to ensure correct use.
- Please keep this manual safe after reading for future reference.
- As the product model is constantly updated, the actual product may not look the same as is shown in the diagram, but the basic installation and operation principles are the same. The product final model is the real product.

1.Precautions for safety.... 1 ~ 2	Preface
2.Steps for use3	Using method
3.Checking items.....4	Maintenance and care
4.Trial run 5 ~ 6	
5.Maintenance and care... 7 ~ 13	
6.Fault analysis14	What to do in this case?
7.Names and contents of harmful substances in electronic product 15	
8.Manufacturer and Vendor..... 16	
Product warranty card back cover	