

TOTO

手动隐藏式水箱安装说明书 INSTALLATION INSTRUCTION FOR MANUAL CONCEALED CISTERN

WH172ANF (系列)
WH172BNF (系列)
WH172ANF (SERIES)
WH172BNF (SERIES)
WH172AUDNF

注意事项 Cautions	. . . 項.2 . . . P.2
简易故障判断及处理方式 Self diagnosis and troubleshooting	. . . 項.3 . . . P.3
安装说明 Installation instructions	. . . 項.4 . . . P.4
维修保养 Servicing procedures	. . . 項.14 . . . P.14

执行标准：GB 26730-2011
STANDARDS: GB 26730-2011


请将说明书保留备用
PLEASE KEEP THE INSTRUCTION MANUAL
FOR LATER USE


手动隐藏式水箱安装说明书

INSTALLATION INSTRUCTION FOR MANUAL CONCEALED CISTERN

注意事项

Cautions

 **注意：** 忽略此标志可能导致对安装说明书的误解，从而造成人身伤害或财产损失。

 **Remind:** If there is no sign of this ,it will lead to faulty understanding、misunderstanding occurred during operation、incidents of harming the human body or damaging goods.

重要提示：

- 1.手动隐藏式水箱功能：蓄水、进排水阀容器，使用功能体现在手动隐藏式水箱工作面板说明书中；
- 2.此说明书只提供手动隐藏式水箱安装相关内容。
- 3.在澳大利亚地区安装时请遵循AS/NZS 3500系列标准或者当地标准。

Important remind:

- 1.Manual concealed cistern function :storage water、inlet and outlet calve vessel, The function reflected in the manual actuator panel instructions.
- 2.This instruction only support the manual concealed cistern construction-related content.
- 3.For Australia, the installation has to be in accordance with AS/NZS 3500 series of Standards and/or local standards.

清洁、废物处理

Cleaning and waste disposal

- 1、请使用清水或稀释的中性清洁剂（如洗洁精等）擦拭和清洁水箱面板，杜绝用腐蚀性强的清洁剂（如：去污粉、涂料稀释剂、苯等）或铁丝球进行擦拭，以免腐蚀并破坏面板的美观。

Use water or dilute mild detergent (such as detergent) to scrub and clean the panel, Never use the strong corrosive detergent (such as cleanser、paint thinner、benzene and so on) or wire ball to scrub , and to avoid the appearance of the panel being corroded or broken.

- 2、如果您需要废弃本产品，请勿将其作为一般生活垃圾处理，请依照法规经由独立的回收体系进行合适的处理、恢复和回收。

If you need to discard this product, please don't use it as a general life garbage disposal,Please in accordance with the laws and regulations by the recycling system of independent proper treatment, recovery and recycling.

⚠️ 温馨提示:

以下表格的问题点的处理方法中有注明（针对用户）的，用户可以参照自行解决。如果解决不了，严禁未经指定的非专业人士进行自行拆解和维修，需及时联系相应的专业人士解决，避免问题扩大化或产生不必要的麻烦和损失。

⚠️ Warm reminder:

Users can handle with problems by self in accordance with the table if the solution has marked out for users. non-professionals are baned on disassembling and repairing. please contact with the corresponding professionals to solve in case of magnify the problem or cause loss.

常见故障	原因	处理方法
水箱无法进水	1、入户总进水开关未开启或停水。	1、打开进水开关或联系物业解决（针对用户）
	2、水箱角阀未打开。	2、打开水箱角阀（针对专业人员）
	3、进水阀有异物导致浮筒无法正常工作。	3、检查进水阀并排除异物（针对专业人员）。
	4、不是以上原因，依然无法进水。	4、更换进水阀（针对专业人员）。
水箱有水不断流到马桶里	1、水箱出水口、排水阀底座周围有异物（砌墙时不小心掉进去的砂浆、小石块等），造成排水阀无法很好的密闭。	1、清理水箱内部的异物（针对专业人员）。
	2、面板调节螺杆外露部分偏长，面板装上后造成排水阀止水胶垫固定在某一位置上，无法密闭。	2、调整面板调节螺杆的位置（针对专业人员）。
	3、在水箱里面的面板调节螺杆偏长，顶到水箱内部的编织软管或其水箱箱体上，有时会无法回位。	3、剪短调节螺杆（针对专业人员）。

Common faults	Reason	Processing methods
The cistern can not be inlet water	1、 Switch of total household water doesn't turn on or the water was be cut off.	1、 Turn on the cistern of total household water or contact property personnel to solve problems(for user).
	2、 Switch of angel valve doesn't turn on.	2、 Turn on the cistern of angel valve (for professional person).
	3、 Stuck by residuums or the drive component of inlet valve, which makes the float of inlet valve to fall naturally.	3、 Check the fill valve and remove the residuum(for professional person).
	4、 The cistern can not be inlet water without the reasons as follows.	4、 Change the inlet valve(for professional person).
Water of the cistern flow into the toilet	1、 Around the outlet of cistern and behind of flush valve remind residuums (fall into the mortar and little stones when to built walls.), resulting in flush valve can not be sealed well.	1、 Get rid of the residuums in the cistern(for professional person).
	2、 The exposed part of the panel's adjust screw is too long,which resulting the rubber of flush valve can not fixed in a certain position and can not sealed.	2、 Adjust the position of the panel's screw(for professional person).
	3、 The part of panel's adjusting screw in the cistern is too long,which may get stuck in the soft pipe or cistern body and unable to return sometimes.	3、 To cut back the adjust screw (for professional person).

手动隐藏式水箱安装说明书

INSTALLATION INSTRUCTION FOR MANUAL CONCEALED CISTERN

⚠ 重要提示:

- 1.安装前请仔细阅读说明书, 本公司不承担因安装人员未按说明书要求施工所造成的损失. 产品中包含润滑剂, 安装马桶时选用.
- 2.在安装本产品前, 请根据室内装修的总体策划确定完成后的地坪面FFL, 并在安装墙上划出FFL线, 并始终以此作为高度0的基准线。
- 3.在安装本产品前, 请确认需要安装的便器的结构及外形, 图1为参考结构。同时需实际测量便器与便器低部间的实际尺寸H, 以利后续安装使用。

注: 1.请在贴瓷砖前安装本产品; 所有的尺寸单位为毫米.

2.图示零件若与实物不符, 请与实物为准.

3.本说明书以后排式安装为例.

⚠ FFL ∇^0 = 完成面地坪.

⚠ Important remind:

- 1.Please read through this Instructions carefully prior to installation, and our company shall not be responsible for any loss caused by not installing according with this Instructions. There are lubricants in production for toilet bowl installation.
- 2.Please confirm the FFL according to overall fitment arrangement indoor. Line out the FFL on the wall and always regard FFL as datum line of 0 height.
- 3.Please confirm the structure and shape before installing the toilet bowl. Meanwhile measure the exact size H between outfall and inflow of toilet bowl so as to serve in subsequent installation.

Note: 1. Please install the frame before paving the tiles. The dimensional unit is millimeter.

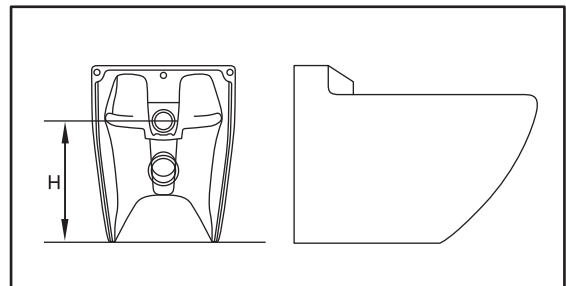
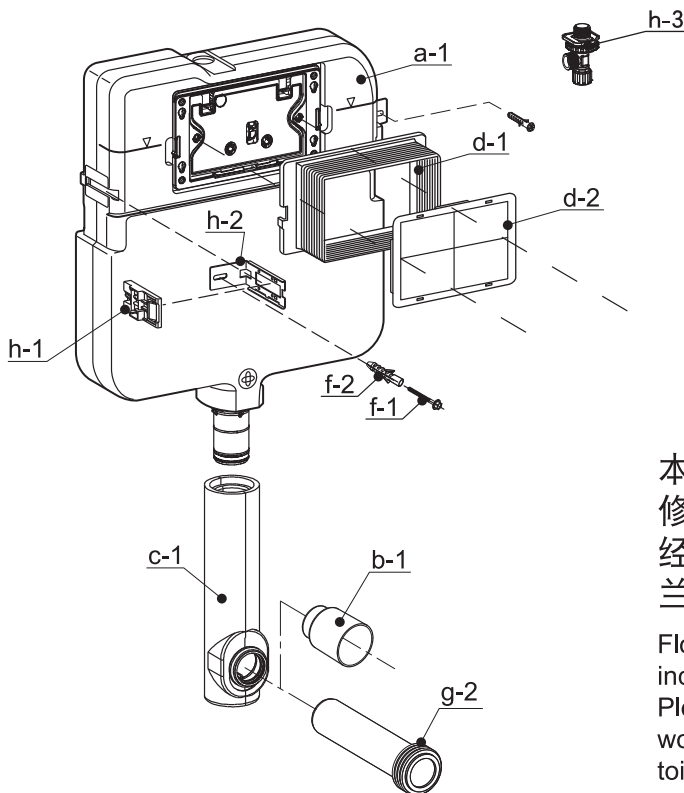
2. Please subject to the object as right if it is not in conformity with the components in picture.

3. Take backwards drain pattern ceramic as an example in this instruction.

⚠ FFL ∇^0 = FFL of finish face, all dimension is millimeter

配件一览表:

Accessories List:



本产品包装内没有配备排水法兰和排水管。修整墙壁及地面之前, 请务必确认排水管已经安装完毕, 并根据便器的规格安装排水法兰。

Floor flange/slip in connector and drainage pipe are not included in this product.

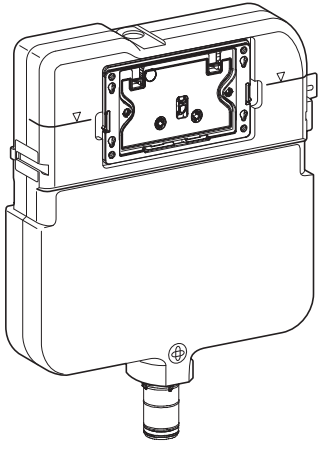
Please ensure the drainage pipe is installed before tiling works. Then installed floor flange/slip in connector with a toilet bowl.

包装确认

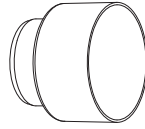
Included Parts

仔细检查，确保包装中的配件齐全：

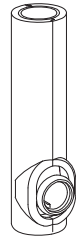
Check to make sure you have all these parts from the package:



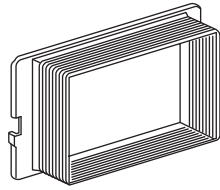
a-1



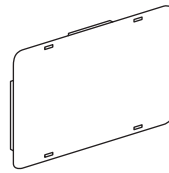
b-1



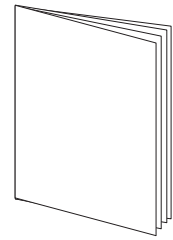
c-1



d-1



d-2



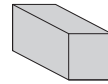
e-1



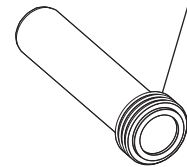
f-1 (2)



f-2 (2)

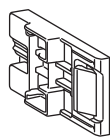


g-1

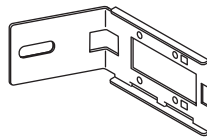


g-2

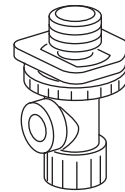
密封套
Seal Gasket



h-1 (2)



h-2 (2)



h-3

一、安装方式策划 I. Installation method:

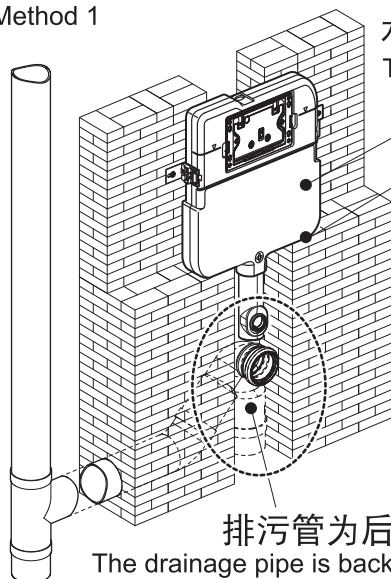
1

根据装修设计需要、水箱上挂耳的位置朝向选择方案一或方案二的安装方案。

Choose installing method 1 or 2 according to request of fitment design and the direction of side notching position on the tank.

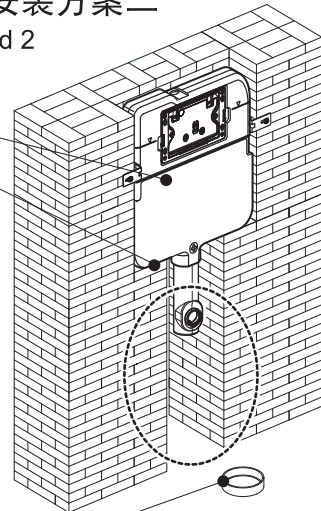
- ⚠ 注意：水箱安装方案一中，水箱背靠的安装墙同安装固定水箱挂耳的安装墙必须保证在同一平面上，若不在同一平面上，会造成受力不均，导致箱体侧面卡扣处破裂漏水。
Cautions: Please confirm method 1, the main wall for tank installation must be on the same level, otherwise the tank would be break and leaking.
- ⚠ 注意：请使用与所安装的便器规格相匹配的排水管。
※请在施工现场准备排水管及法兰。
Cautions: Matching of drainage pipe and a toilet bowl.
* Self-provided the drain pipe and floor flange/slip in connector.

水箱安装方案一
Method 1



排污管为后排式
The drainage pipe is backwards drain pattern

水箱安装方案二
Method 2



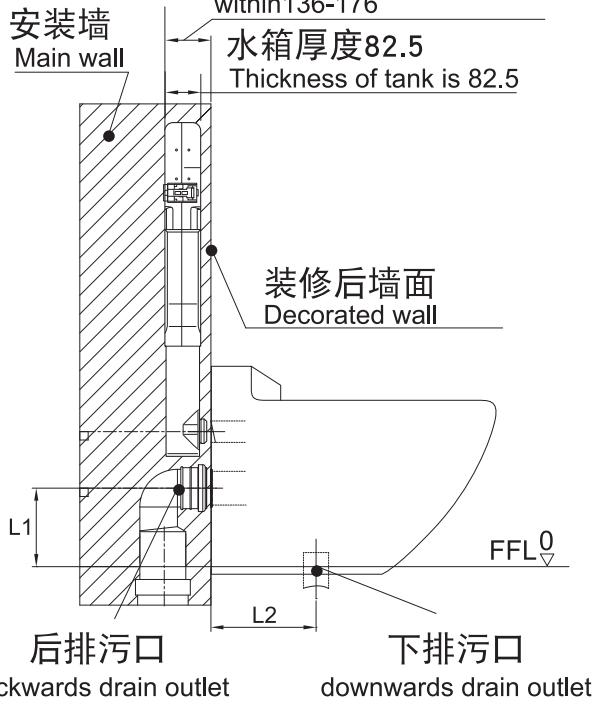
排污管为下排式
The drainage pipe is downwards drain pattern

水箱厚度82.5mm
The thickness of product is 82.5mm

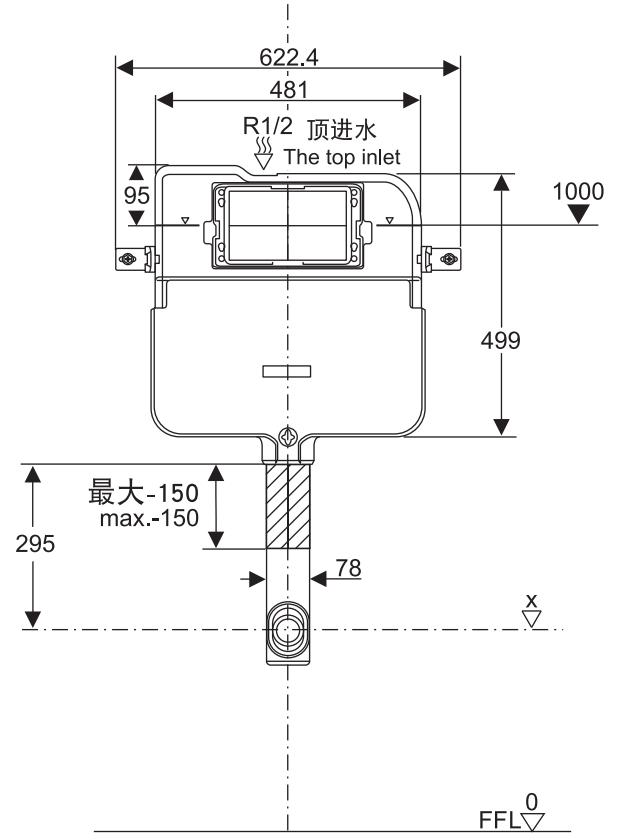
请确保水箱底部已经固定支撑。
Confirm that the lower part of the tank is supported.

2

此部分尺寸建议在
136-176范围内
This dimension is suggested
within 136-176



3



后排式: L1尺寸排污口中心到FFL距离,请客户根据便器的实际尺寸调整.具体请参照便器安装说明书.下排式: L2尺寸为下排污口中心到完成墙面的距离,请客户请参照便器安装说明书,确定L2尺寸.

Backwards drainage: please adjust the distance of L1 according to the real size of toilet bowl. Please refer to the instruction of toilet bowl installation.

Downwards drainage: please make sure the size of L2 according to the instruction of toilet bowl installation.

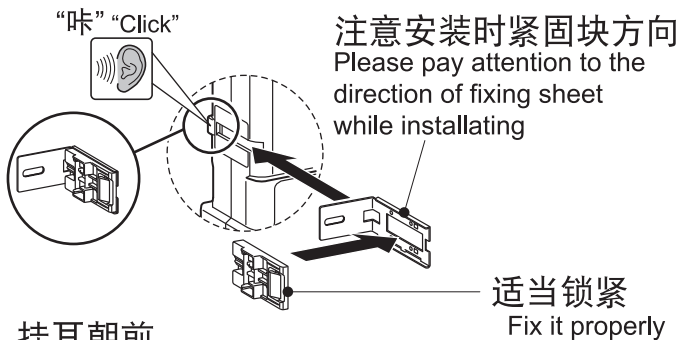
二、安装步骤 II. The Installation Manual:

1

根据挂耳的不同位置朝向安装紧固块。
To install the fixing sheet according to the different directions of side notching.

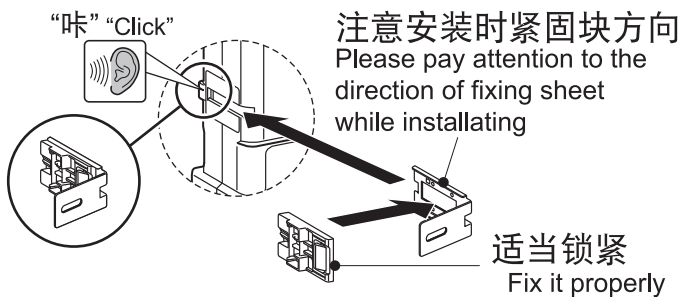
挂耳朝后

The side notching is fixed backwards

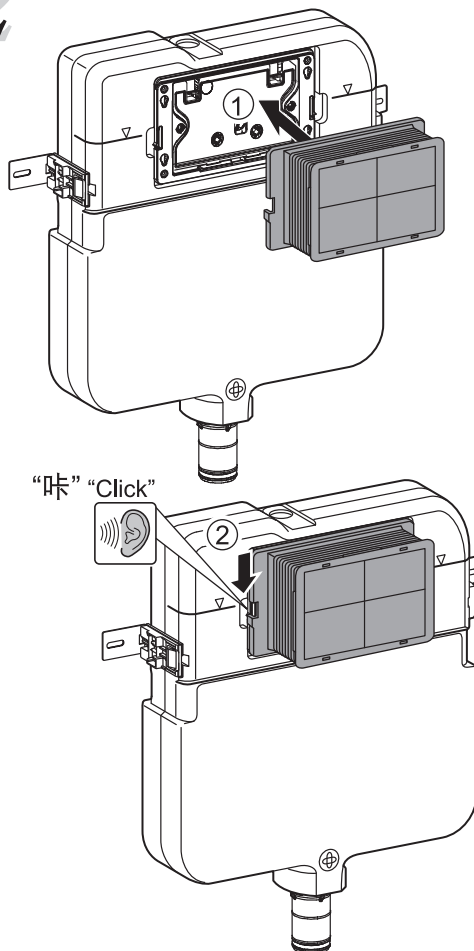


挂耳朝前

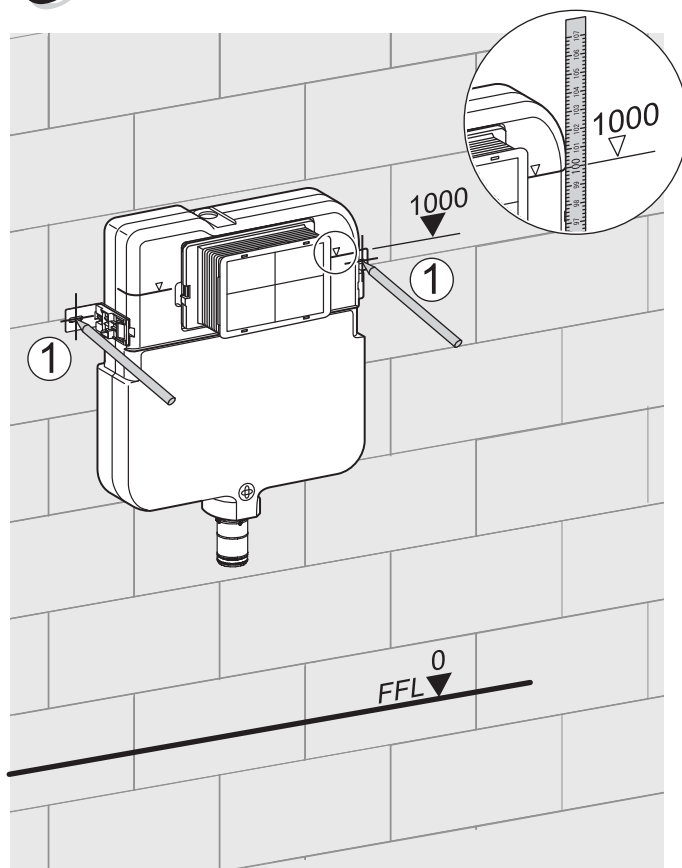
The side notching is fixed frontwards



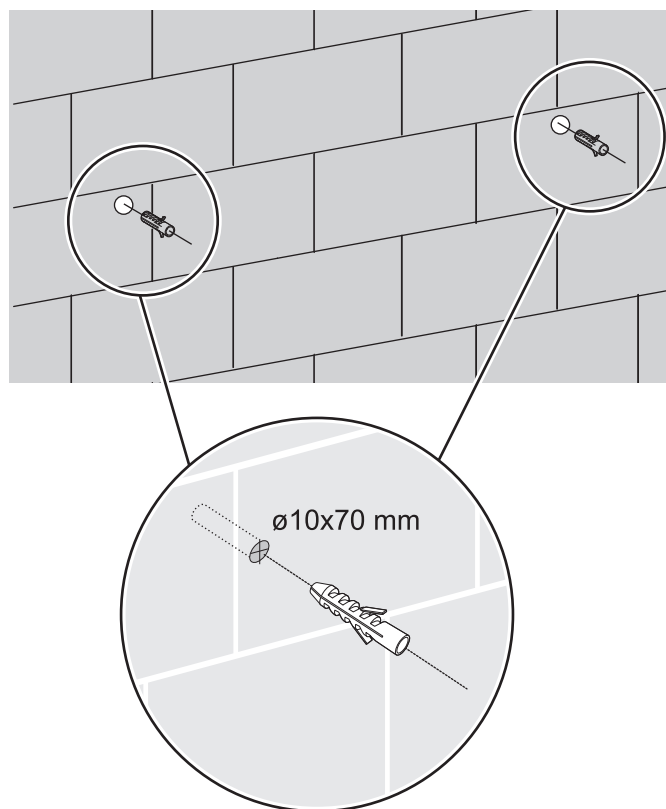
2



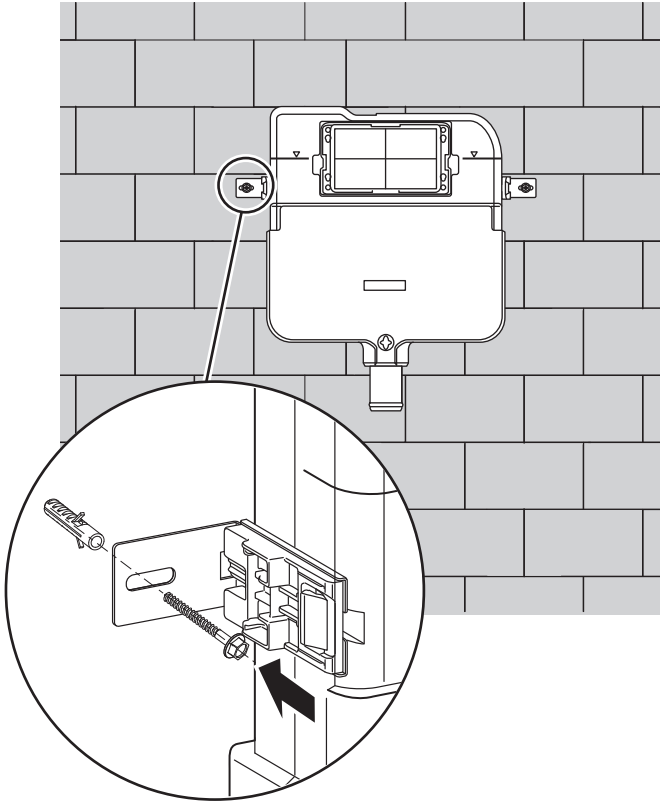
3



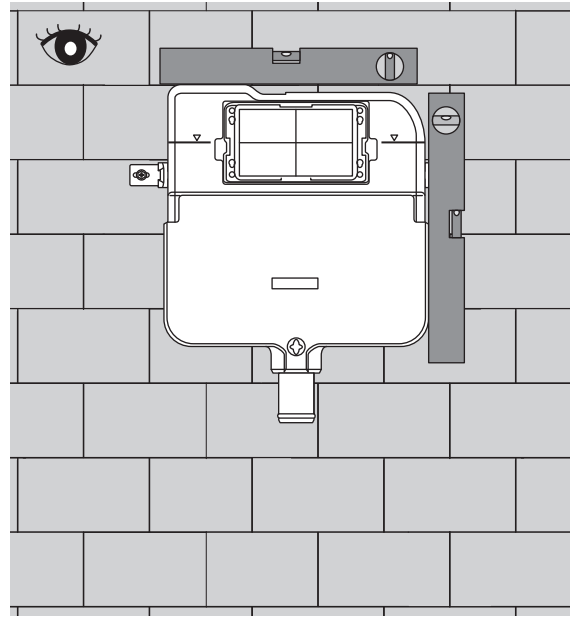
4



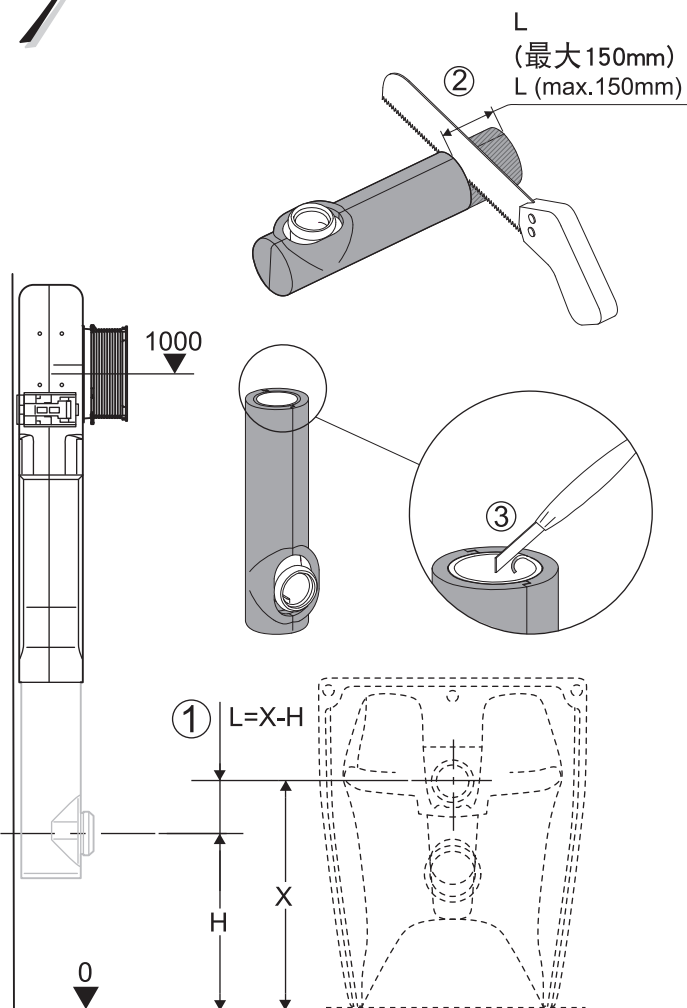
5



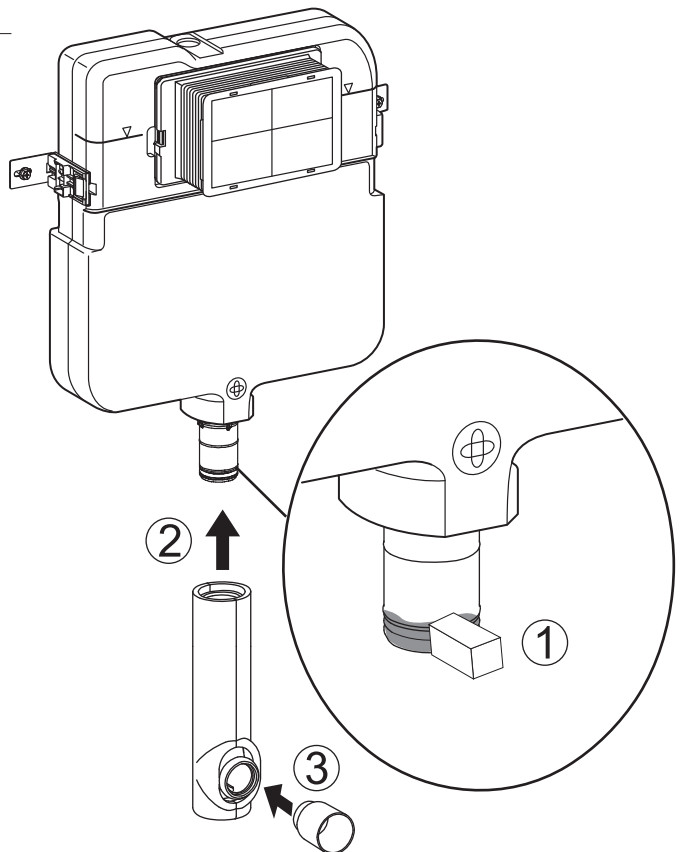
6



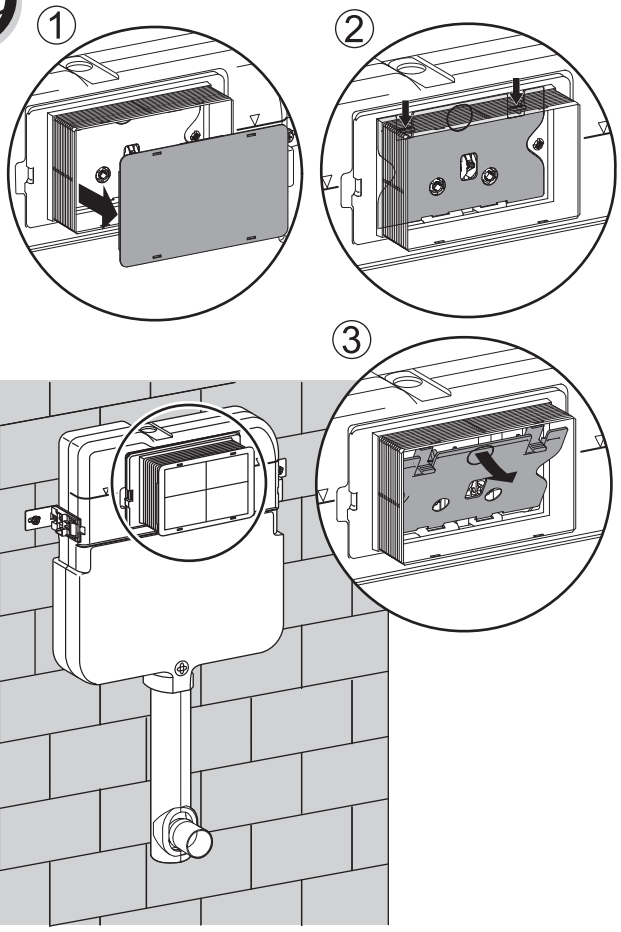
7



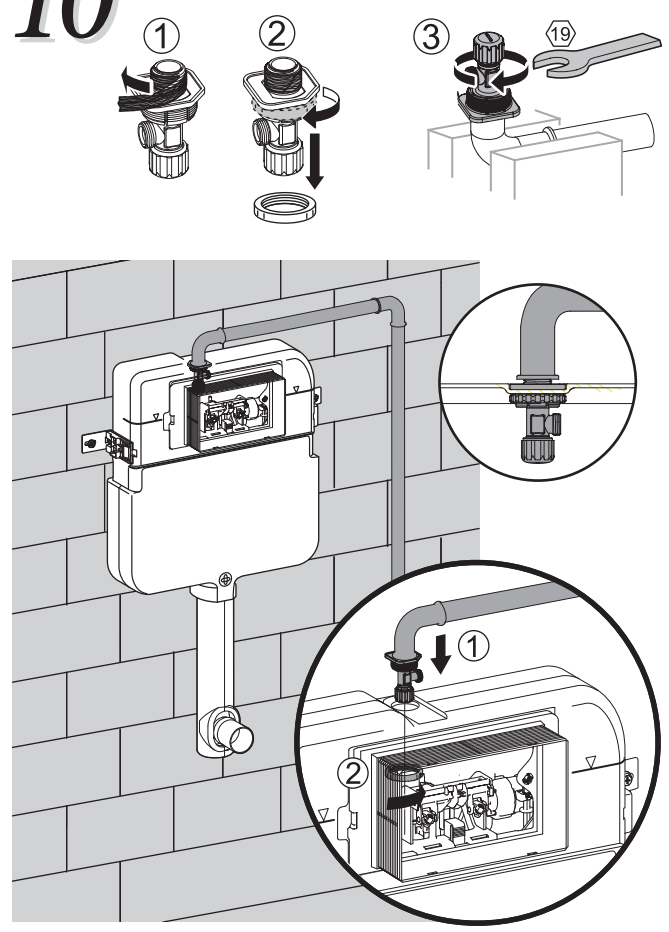
8



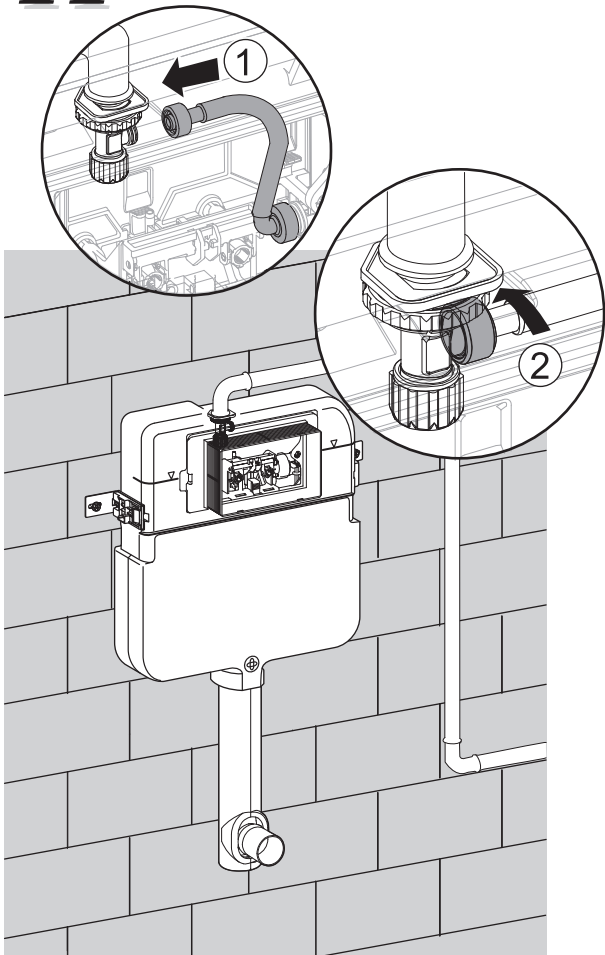
9



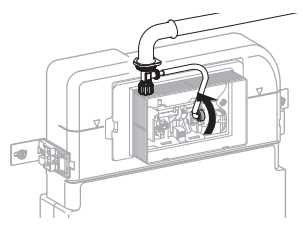
10



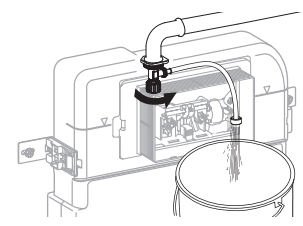
11



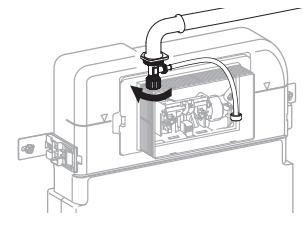
11.1



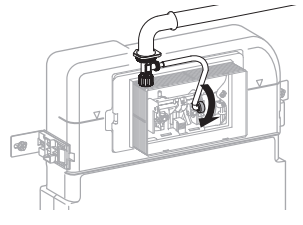
11.2



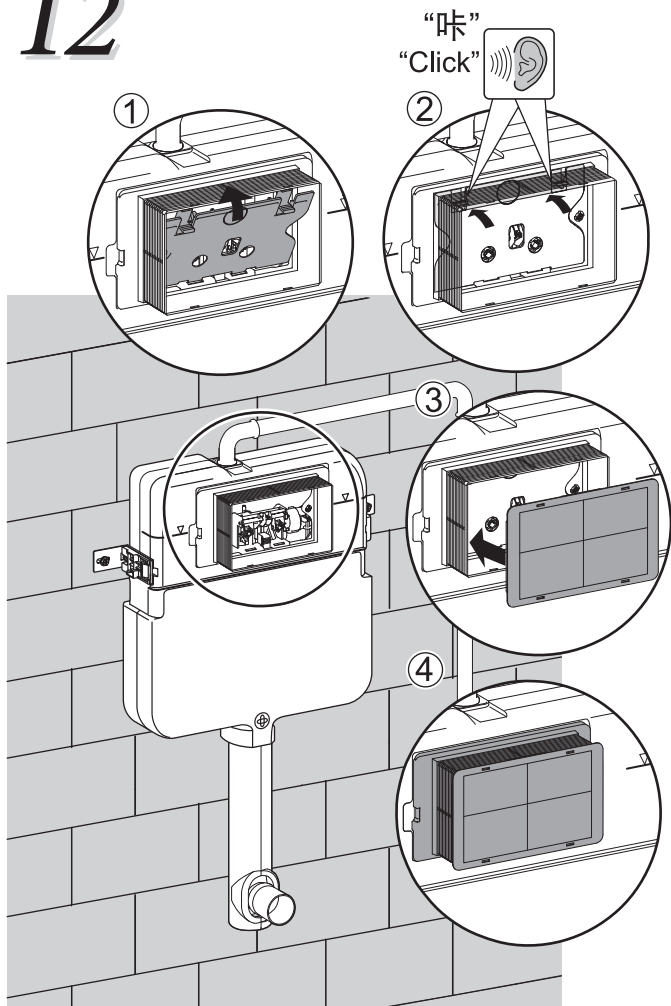
11.3



11.4

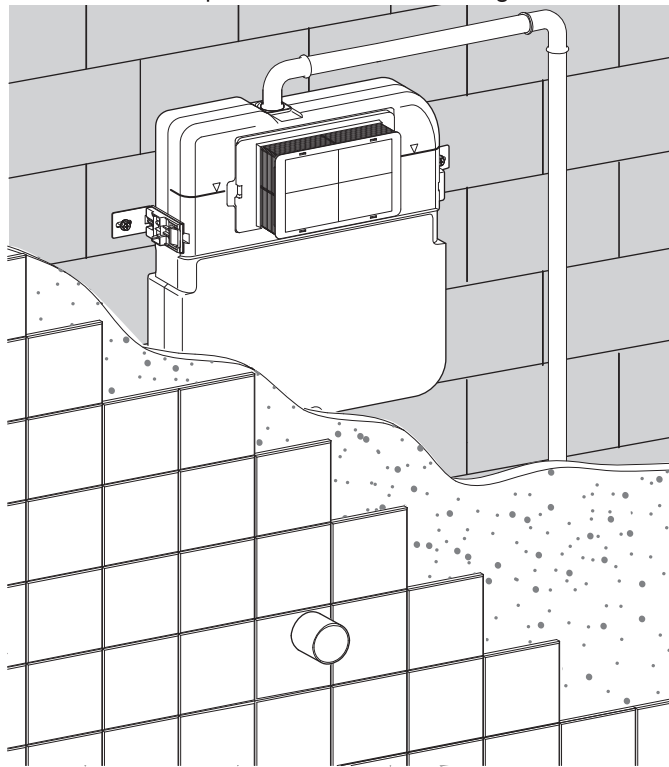


12

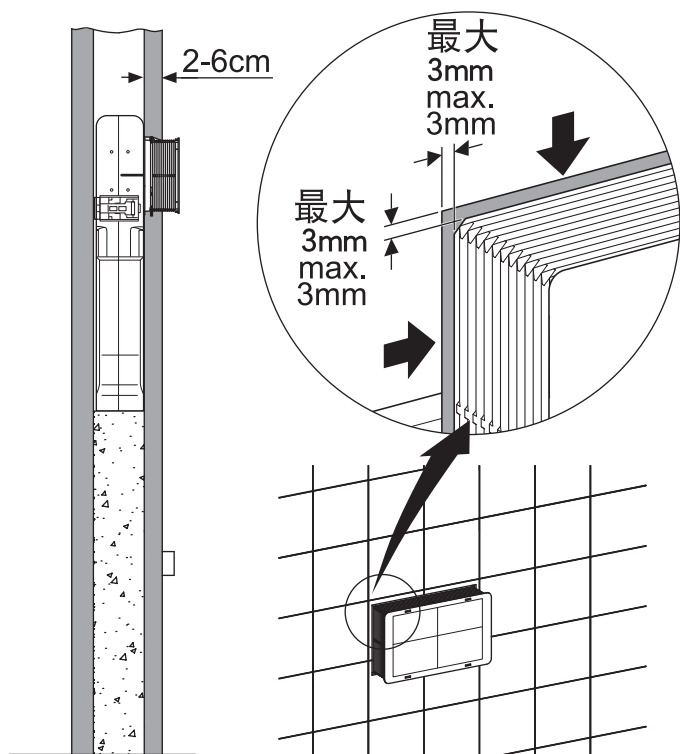


13

⚠ 重要提示：在支架安装后砌墙前，务必通水并放置12小时以上，检查是否有渗漏现象。Important remind: When the concealed tank fixed completely, it is important to test leaking with water upon 12 hours before fixing wall.

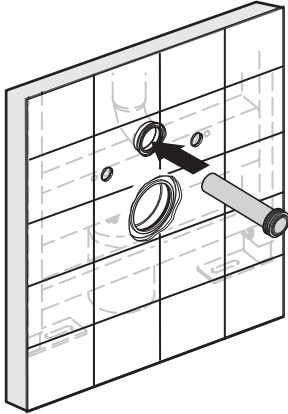


14

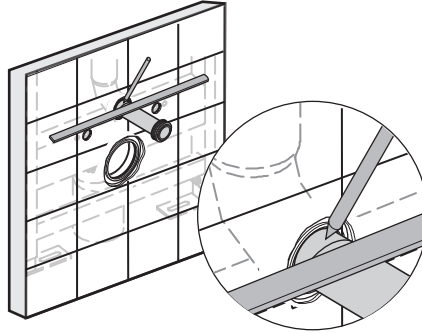


三、安装马桶: III. Installation of toilet bowl:

1



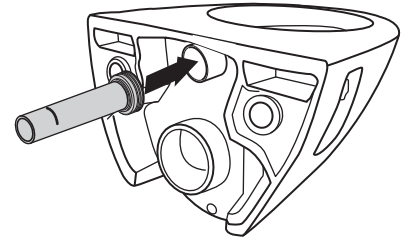
2



将直管分别插入冲水管和排水管到位,并画线标识。

Set Straight Pipes into Flush Bend and Drain Bend properly, and marks lines.

3



分别在两根直管橡胶垫上抹上润滑油,再插入便器。(冲刷直管密封套安装方式见3.1、3.2)

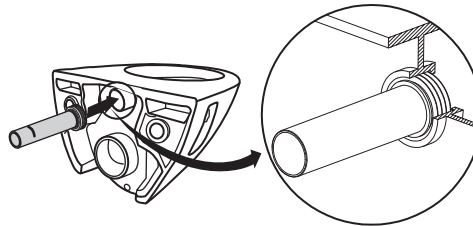
Add lubricant onto the Rubber Gaskets of two Straight Pipes and set them into Bowl. (Flush Pipe seal Gasket assembly see 3.1 and 3.2).

3.1 冲刷直管密封套。
Flush Pipe Seal Gasket.



密封套
Seal Gasket

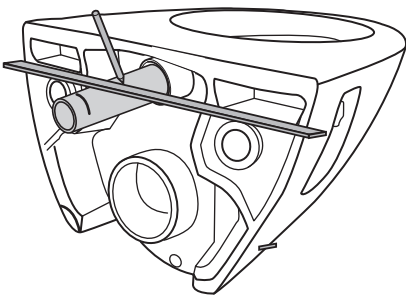
3.2 冲刷直管密封套A安装示意。
Seal Gasket A install



密封套安装时连同冲刷直管一起插入便器孔内。

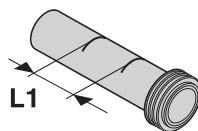
Seal Gasket A insert into Bowl with Flush Pipe together.

4



如图画线标识。
Mark lines as shows.

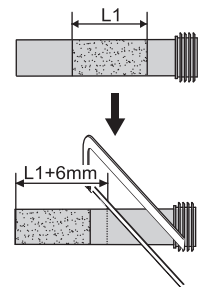
5



冲刷直管所画线标识之间L1.

L1 is the distance of two marks on Flush Straight Pipe.

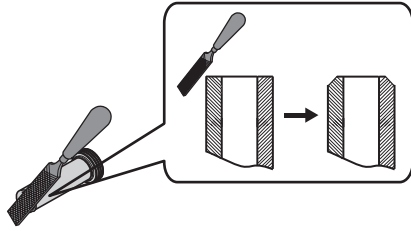
6



如图切割直管。

Cut Straight Pipe just as shows.

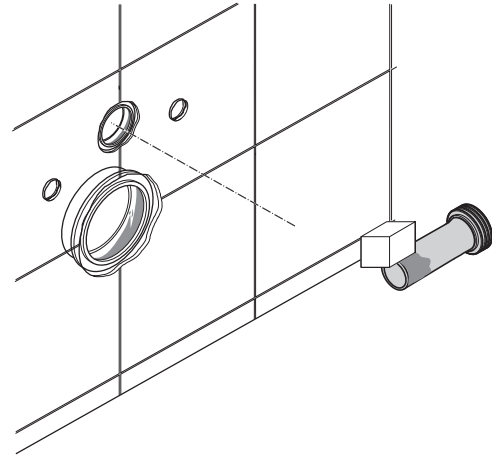
7



将锯短的两管管口端面打磨倒角(如图), 并去除毛边.

Chamfer and trim the cutting edges on the shortened Straight pipes (as shows).

8



在直管与弯管的结合处抹上润滑油(如硅油)

注: 可先将排水直管插入排水管,再根据相配套便器的安装说明书要求安装便器, 冲刷直管密封套 安装方式见(3.1、3.2)

Smear lubrication oil on conjoint area between straight flush pipe and curved drain pipe.

Note: First install Drain Straight Pipe into Drain Bend, then install the toilet bowl according to the relevant instructions.

Flush Pipe seal Gasket assembly see (3.1 and 3.2)

9

安装坐便器:

请按照本便器包装内附带的安装指南进行安装。

Install the toilet:

Install according to the Installation

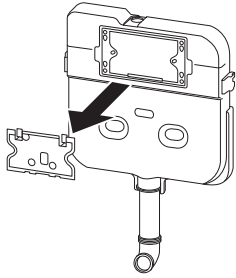
Guide enclosed with the toilet bowl.

维修保养

Servicing procedures

更换冲水阀 Replacing the Flush Valve

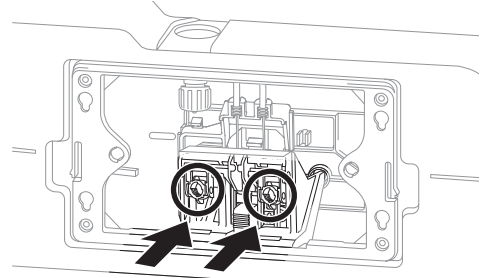
1.



拆下并拉出防溅罩。

Remove the splash guard and pull it out.

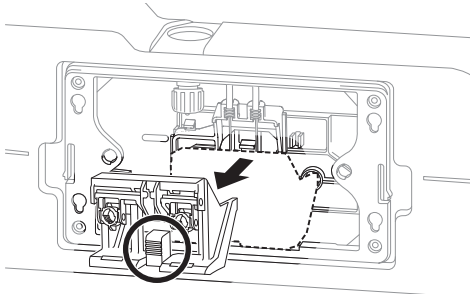
2.



关闭水箱中的进水角阀，然后按下驱动件上的按钮进行冲水。

Close the shutoff valve in the tank, and then push the button on the actuator to flush the water.

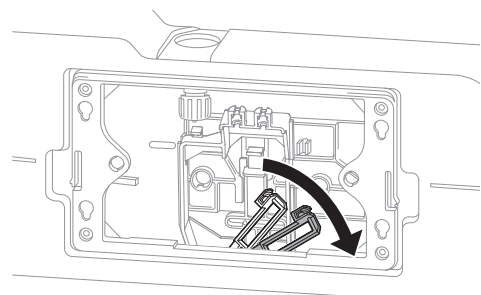
3.



按住拉手拆下驱动件。

Push on the tab to remove the actuator.

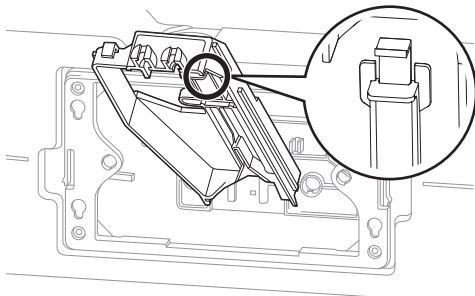
4.



将冲水阀的两根拉杆倾斜至右侧。

Tilt the two pull-up rods of the flush valve to the right.

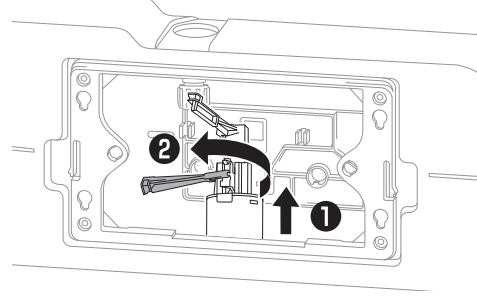
5.



拉紧图中所示拉手拆下压紧支架。

Remove the hold-down bracket by pulling on the tab indicated.

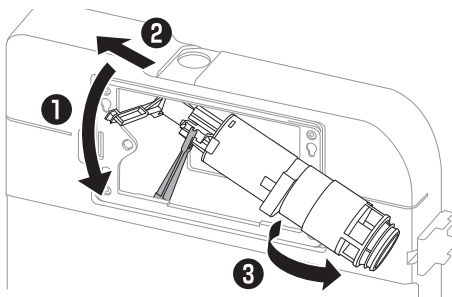
6.



拉起冲水阀，旋转拉杆。

Pull the flush valve up, and rotate the rods.

7.



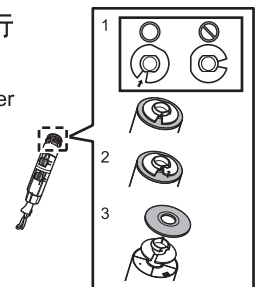
拉出时旋转整个装置。

Rotate the whole unit as you pull it out.

8.

冲水阀另一端的橡胶件可以拆下进行清洁或更换。

At the other end of the flush valve, the rubber piece can be removed for cleaning or to be replaced.



9.

按照与上述相反的步骤操作，便能将零件安装回水箱。

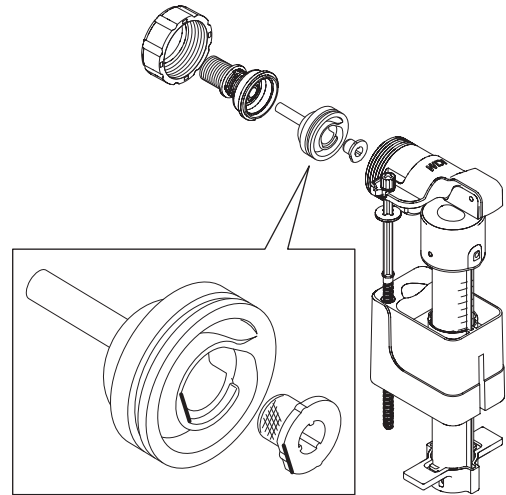
To install the parts back into the tank, do the reverse order.

清洁进水阀滤嘴

Cleaning the Filter of the Fill Valve

1. 按上述操作，关闭进水角阀，然后拆下进水阀。
2. 如图所示，拆开进水阀，然后用水清洗过滤网，或者用刷子清除污物。
3. 按照与上述相反的步骤操作，便能将进水阀安装回原来的位置。

1. Close the water shutoff valve, and then remove the fill valve as described above.
2. As shown in the figure, disassemble the fill valve, and then either clean the filter with water or use a brush to clean any dirt from it.
3. To install, follow the procedure in reverse to return the fill valve to its original position.



东陶（中国）有限公司
售后服务全国免费电话：800-820-9787
手机用户：400-820-9787
TOTO (CHINA) CO., LTD.
After Service Free Tel: 800-820-9787
Mobile telephone:400-820-9787



制造商：厦门和利多卫浴科技有限公司
地址：厦门海沧区霞飞东路2号
CONSTRUCTOR: VORETO (XIAMEN) PLUMBING
TECHNOLOGY CO.,LTD.
Add: No.2, Xiafei East Road, Haicang District, Xiamen

- | | |
|---|---|
| TOTO (H.K.)LTD. | RM.1101, 11/F No.3 Lockhart Rd. Wanchai, Hong Kong
Phone : 852-2861-3177 / Fax : 852-2861-3563 |
| TOTO ASIA OCEANIA
PTE. LTD. | 10, Eunost Road 8, #12-07, Singapore Post Centre. Singapore 408600.
Phone : +65-6744-6955 Fax : +65-6841-0819 http://asia.toto.com/ |
| TOTO ASIA OCEANIA
PTE. LTD. | Middle East Branch LOB19-1701-1702, Jebel Ali Free Zone, P.O. box 261804, Dubai U.A.E.
Phone : +971-4-886-5983 Fax : +971-4-886-5986 http://asia.toto.com/ |
| TOTO ASIA OCEANIA
PTE. LTD. | Manila Representative Office. Unit 1010, 10th Floor Rufino Building, Ayala Avenue cor.V.A.
Rufina Street, Makati City,1226 Philippines.
Phone : +63-2-887-6643 Fax : +63-2-887-4084 http://asia.toto.com/ |
| TOTO ASIA OCEANIA
PTE. LTD. | Yangon Branch. #303, Prime Hill Business Square, No. 60, Shwe Dagon
Pagoda Road, Dagon Township, Yangon Myanmar
Phone : +95 1 382710 Fax : +95-1 382638 |
| TOTO (THAILAND) LTD.
Spare Part and
After Service Center | 77 Moo 5 HSIL Industrial Zone T.Nong -Plamor A.Nong-Khae Saraburi 18140 Thailand
Phone : +66-92-246-5880, +66-92-246-6612, +66-36-382-760
Fax : +66-2-650-9923 http://th.toto.com/en/index.php |
| TOTO INDIA INDUSTRIES
PVT. LTD | 101, Kamla Executive Park, Opp. Vazir Glass Works,
Off. Andheri Kurla Road, Andheri (East), Mumbai 400 059, India.
Phone : +91-22-4022-3717 / 3718 Fax : +91-22-4022-3719 http://asia.toto.com/ |
| TOTO VIETNAM
Co., Ltd. | R. 810, Daeha Business Centre, 360 Kim Ma St., Ba Dinh Dist., Ha Noi City
Phone : +84-4-37714354 Fax : +84-4-37714355 http://toto.com.vn/ |



合格证

本品经检查判定合格
执行标准：GB26730-2011
产品名称：见包装箱上的标签
产品型号：见包装箱上的标签
检验日期：见包装箱上的标签
检验员：QC001
制造商：厦门和利多卫浴科技有限公司
厂址：厦门海沧区霞飞东路2号