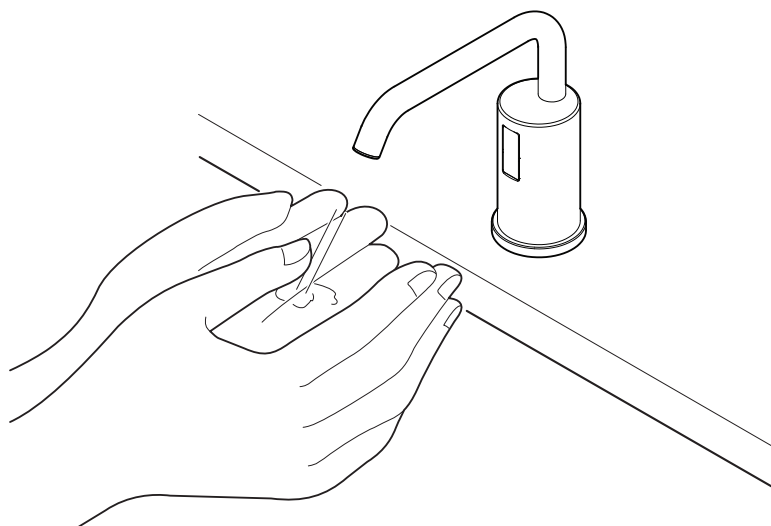


安装说明书  
Installation Manual

# TOTO

## 自动感应皂液器 Automatic Soap Dispenser

- 
- 为了充分发挥本产品的功能，请按此说明书内容正确安装。
  - 安装后 请向客户详细说明使用方法。
  - For proper functioning, install the product following instructions in the installation guide.
  - Please explain how to use the product to the customer.
- 



DSE101E  
DSE101K  
DSE101EH  
DSE101KH  
DSE101EP  
DSE101EPVM  
DSE101KP  
DSE101KPVM

首先对您能选购本公司产品表示我们最真挚的谢意。

Thanks for your recent purchase of the TOTO Automatic Soap Dispenser.

## 目录 TABLE OF CONTENTS

警告 Warnings .....	1
使用前 Before installation .....	2
部品名称 Included parts .....	2
所需常用工具 Common tools needed .....	2
吐皂口和皂液箱的安装位置 Position of the dispenser / tank .....	3
安装步骤 Installation procedure .....	4-8
试运行 Testing .....	9
规格 Specifications .....	10
完成图 Rough-In dimensions .....	11



## 警告 WARNINGS

如果无视以下警告而进行误操作的话，可能导致人员伤亡或财产损失。  
Please read and adhere to the following notes. Failure to do so could result in personal injury and/or property damage.

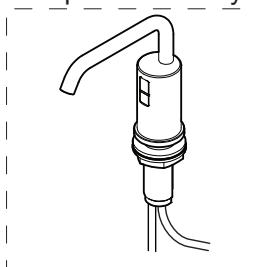
- 请不要自行拆解、修理、改装，除非在此说明书内有特别说明。  
否则可能导致触电或产品故障。  
No person other than a service engineer should disassemble, repair or modify this dispenser, unless it is specifically described in this manual. Failure to do so may result in electric shock or product malfunction.
- 请不要安装在潮湿的地方，特别是桑拿房或浴室内。  
Do not use this dispenser in a humid location where condensation may collect on the surface, especially in a sauna or steam room.
- 请不要撞击本产品，否则可能导致产品损坏或皂液泄漏。  
Do not strike or kick the dispenser or controller box, as this may damage the unit or cause a leak.
- 请不要在可能结冰的地方使用本产品。  
Do not use this dispenser if the room temperature drops below freezing.
- 请确保电源线不与热水管接触。  
Make sure the power cord does not come in contact with the hot water supply line.
- 请避免在感应范围内放置物体。  
Avoid placing any objects within the detection range of the infrared sensor.
- 请使用TOTO指定皂液。  
Use only TOTO approved liquid soap.
- 请不要将电源插座安装在有露水和在使用时水滴可能溅到的位置。  
Make sure the electrical outlet is in a position where it will not get wet during use.
- 请务必要求有合法资质的专业人员安装本产品。  
Please assign qualified professionals to install this product.
- 残障人士及智力能力缺陷和常识缺乏的人（包括儿童）需要在专人监护下使用本产品。  
Disabled persons, mentally challenged persons and persons who lack common sense (including children) should use this product under the supervision of a special person.

## 使用前 BEFORE INSTALLATION

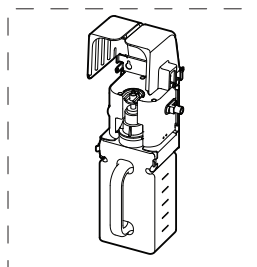
- 请认真阅读本说明书并正确安装使用。  
Read these instructions carefully to ensure proper installation.
- TOTO 公司保留对其产品更新的权利，届时，恕不另行通知。  
TOTO reserves the right to update product design without notice.
- 请检查下列部品是否齐全。  
Check to make sure you have the parts indicated on the following page.

## 部品名称 INCLUDED PARTS

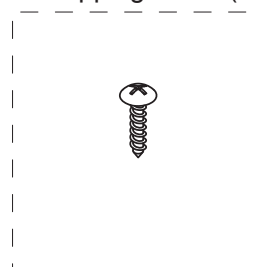
吐皂口  
Spout Assembly



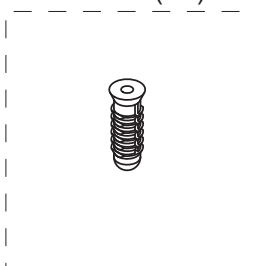
机能部  
Controller



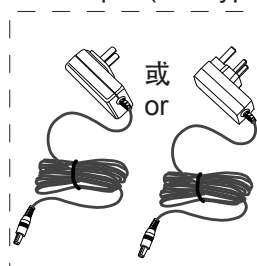
自攻螺丝 (X3)  
Self-tapping Screw(3X)



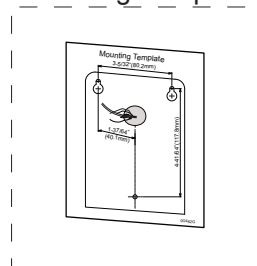
膨胀管 (X3)  
Anchor(3X)



AC适配器 (AC型)  
AC Adapter(AC Type)



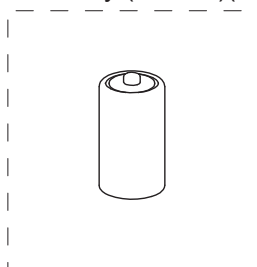
安装模板  
Mounting Template



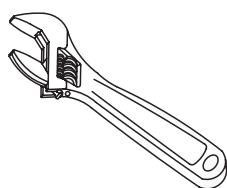
干电池盒 (DC型)  
Battery Case(DC Type)



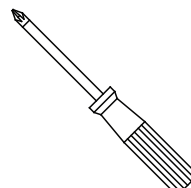
碱性干电池 (1号电池 1.5V) (X4) (DC型)  
Alkaline Battery (D 1.5V)(4X)(DC Type)



## 所需常用工具 COMMON TOOLS NEEDED



活动扳手  
Adjustable Wrench



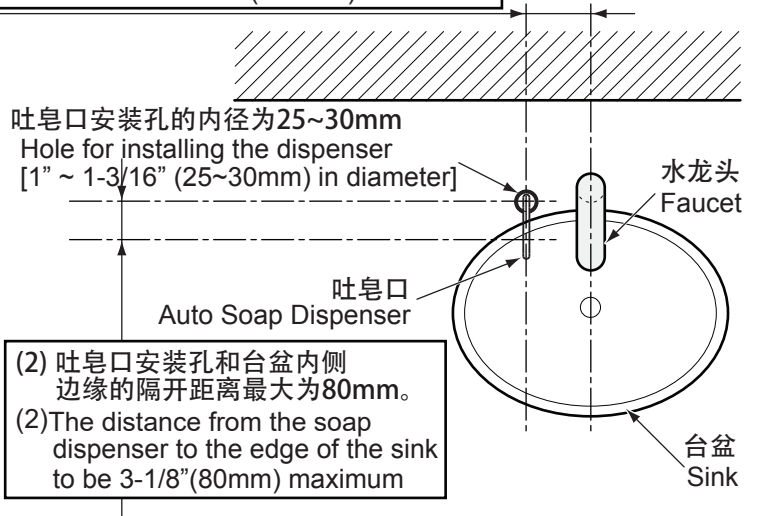
十字螺丝刀  
Screwdriver (Phillips)

# 吐皂口和皂液箱的安装位置 POSITION OF THE DISPENSER/TANK

## 吐皂口的位置 Position of the Dispenser

1. 请确保吐皂口和水龙头之间至少隔开120mm的距离，以避免意外启动。  
1. Be sure to leave at least 4-3/4" (120mm) of space between the soap dispenser and the faucet to prevent accidental activation.
2. 请确保吐皂口安装孔和台盆内侧边缘不大于80mm的距离，以确保给皂机口剩余的皂液可以滴入到台盆内。  
2. Leave 3-1/8"(80mm) of space maximum from the inside edge of the sink to the spout installation hole to ensure that any residual soap drips from the dispenser spout into the sink bowl.

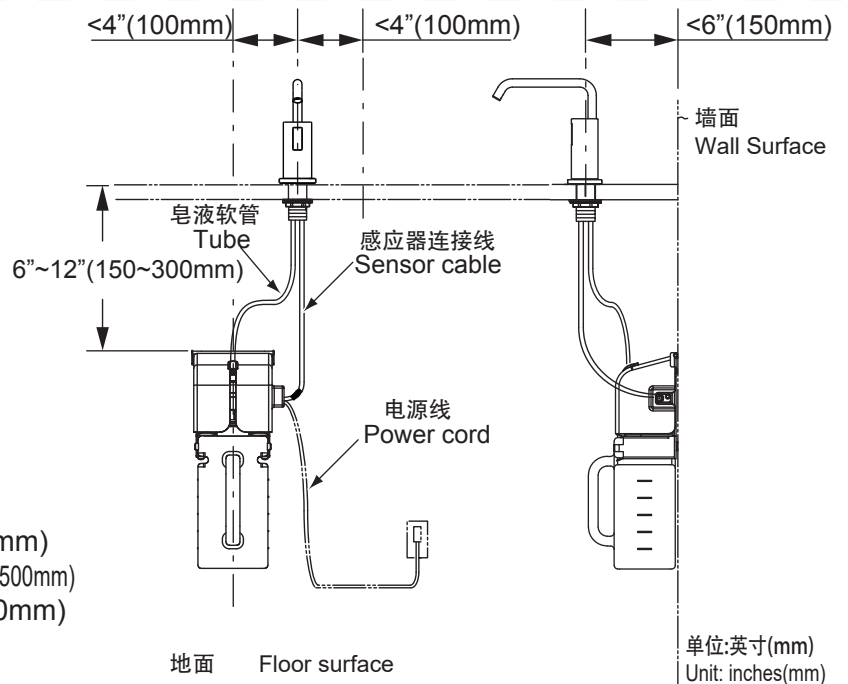
(1) 吐皂口和水龙头的隔开距离最小为120mm  
(1) Space between the dispenser and the faucet to be 4-3/4"(120mm) minimum



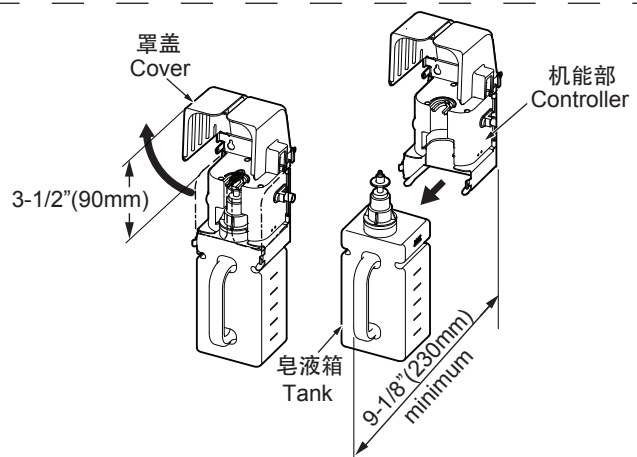
## 皂液箱的位置 Position of the Tank

1. 安装机能部时，请确认皂液软管和感应器连接线的长度是否可以连接到皂液箱。  
1. When installing the controller, make sure that the tube and cables can reach the tank.
2. 如果皂液软管过长，可以切断到合适长度。  
2. If the tube is too long, please cut it to suitable length.

皂液软管长度 Tube length: 17-3/4"(450mm)  
感应器连接线长度 Sensor cable length: 19-3/4"(500mm)  
电源线长度 Power cord length: 59"(1500mm)

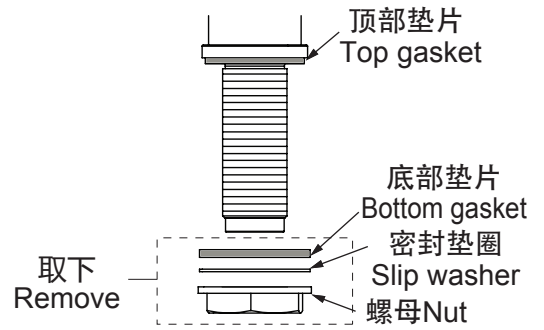


3. 请确保有足够的空间以补充皂液和更换皂液箱。  
3. Be sure there is adequate space for refilling/replacing soap tank.



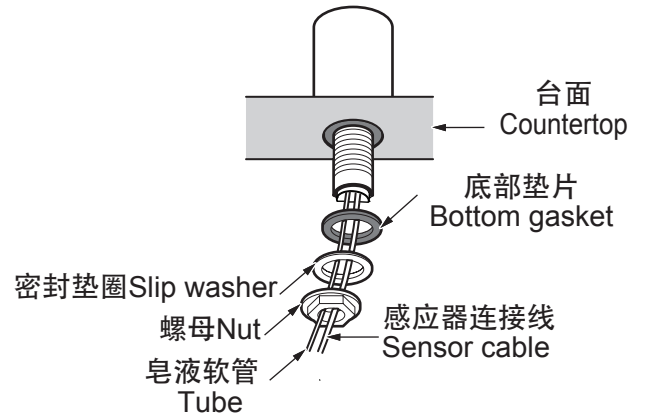
## 安装步骤-吐皂口 INSTALLATION PROCEDURE-Soap

- 1.取下螺母、密封垫圈和底部垫片。  
1.Remove nut, slip washer and bottom gasket.

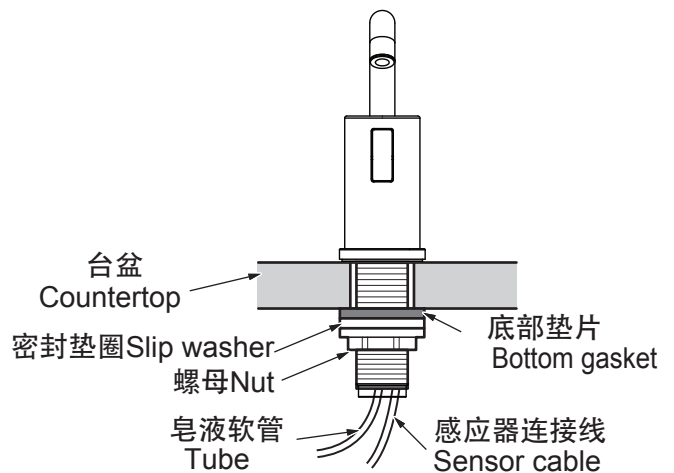


- 2.将吐皂口装入台面。  
2.Install the spout on the countertop.

- 3.将底部垫片、密封垫圈和螺母依次安装。  
3.Install bottom gasket, slip washer and nut in that order.



- 4.请确认吐皂口的朝向后拧紧螺母。  
4.Confirm the alignment of spout and tighten nut.



## 安装步骤-机能部 INSTALLATION PROCEDURE-Controller

- 1.选择机能部的位置，然后使用安装模板。  
请确保感应器连接线和皂液软管可以碰到安装模板。

- 1.Select the position of the controller and layout mounting template.  
Make sure the sensor cable and soap tube can reach the mounting template.

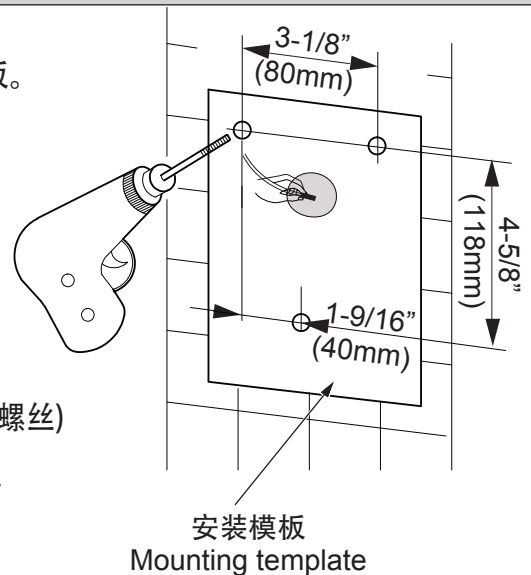
- 2.确定安装孔的位置。  
2.Mark the location of the mounting holes.

- 3.钻3个孔。  
3.Drill 3 holes.

孔深：25mm 尺寸：3mm(无膨胀螺丝)/7mm(有膨胀螺丝)  
Depth : 1"(25mm) Size : 7/64"(3mm) without anchor  
1/4"(7mm) with anchor

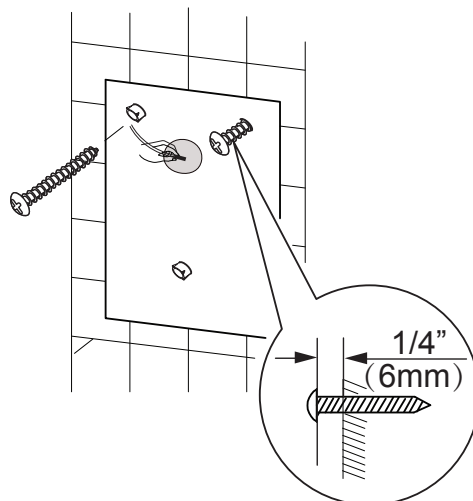
**注意：请将安装模板水平放置。**

**Important: Mounting template to be level.**



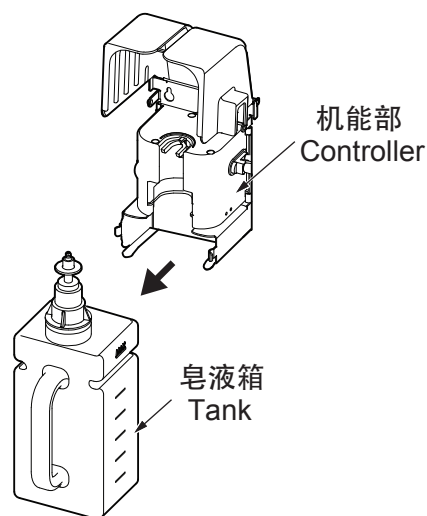
4.将自攻螺丝插入上方的两个螺丝孔内，并且将螺丝头部与墙壁之间保持6mm的距离。如需要时可以使用膨胀管。

4.Insert self-tapping screws into the upper two holes until there is a 1/4"(6mm) gap between head of screw and wall. Use anchors if necessary.



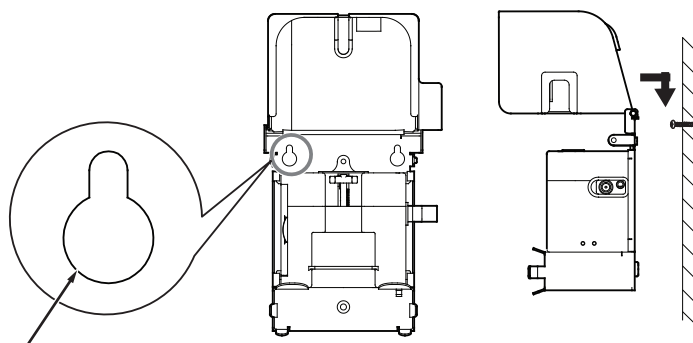
5.将皂液箱移出机能部。

5.Remove the tank from controller.



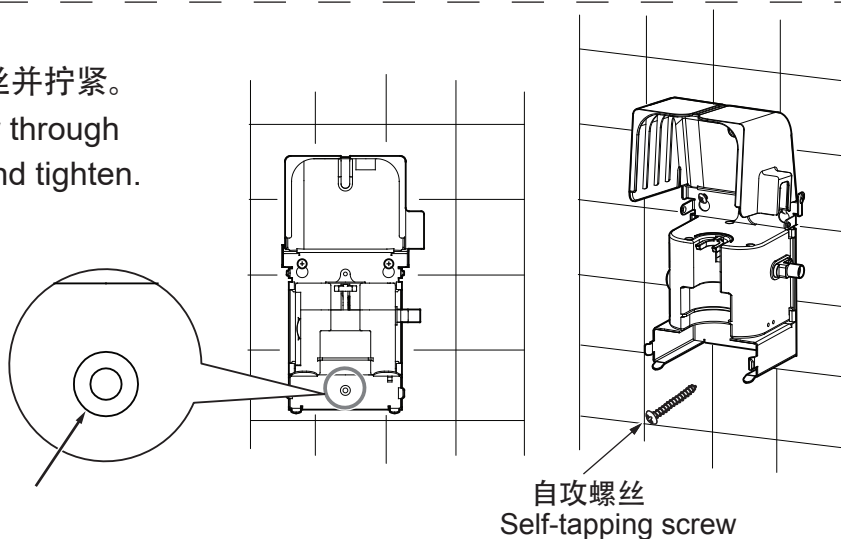
6.将机能部挂在螺丝上。

6.Hang the controller on the two screws.

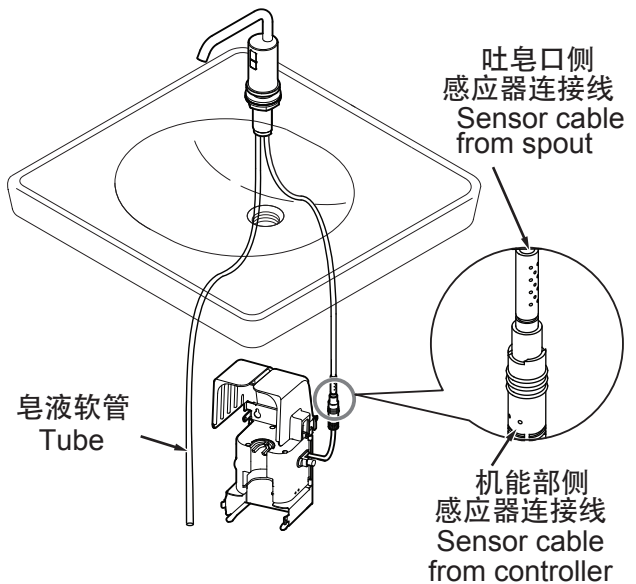


7.插入机能部底部的自攻螺丝并拧紧。

7.Insert a self-tapping screw through bottom hole of controller and tighten.



- 8.将感应器连接线连接。  
8.Connect sensor cables.



## 安装步骤-皂液箱 INSTALLATION PROCEDURE-Tank

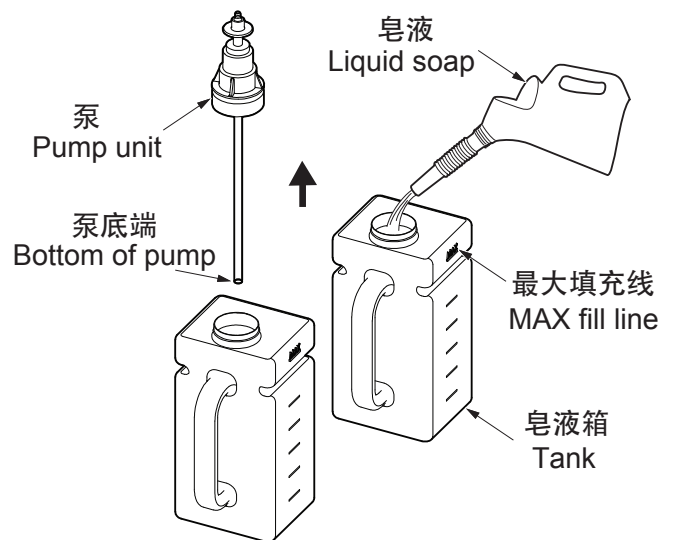
- 1.从皂液箱上取出泵。  
1.Remove pump unit from the tank.
- 2.从皂液缓缓倒入皂液箱。  
2.Slowly pour liquid soap into the tank.

注意：保持泵的清洁，尤其是泵底端。  
NOTE: Keep pump unit clean while filling soap, especially keep bottom of pump off from floor.

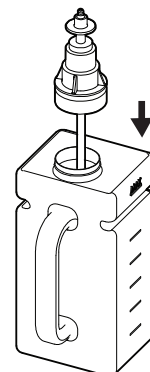
注意：在倒皂液时，请不要超出最大填充线。  
注意：请使用TOTO指定皂液粘度。

NOTE: Fill the tank up to MAX fill line.

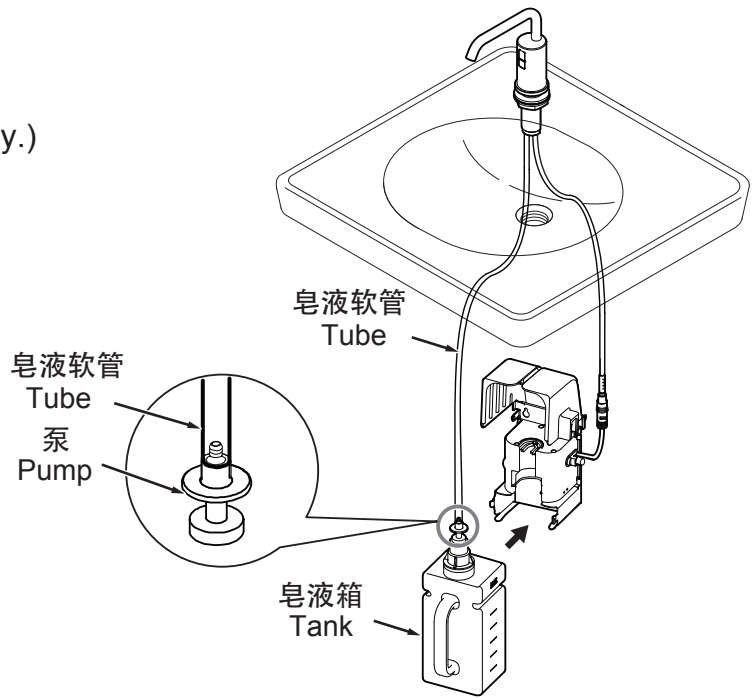
NOTE: Use only TOTO approved soap viscosity.



- 3.将泵向下插入皂液箱直至其卡到位。  
3.Replace the pump by pushing it down firmly over the tank opening until it snaps in place.



- 4.将皂液软管连接到泵。  
(将皂液软管插到底。)
- 4.Connect the tube to pump.  
(Insert the barb into the tube fully.)
- 5.将皂液箱装入机能部。
- 5.Mount the tank to the controller.



## 安装步骤 - 电源连接 INSTALLATION PROCEDURE - Connection to Power Supply

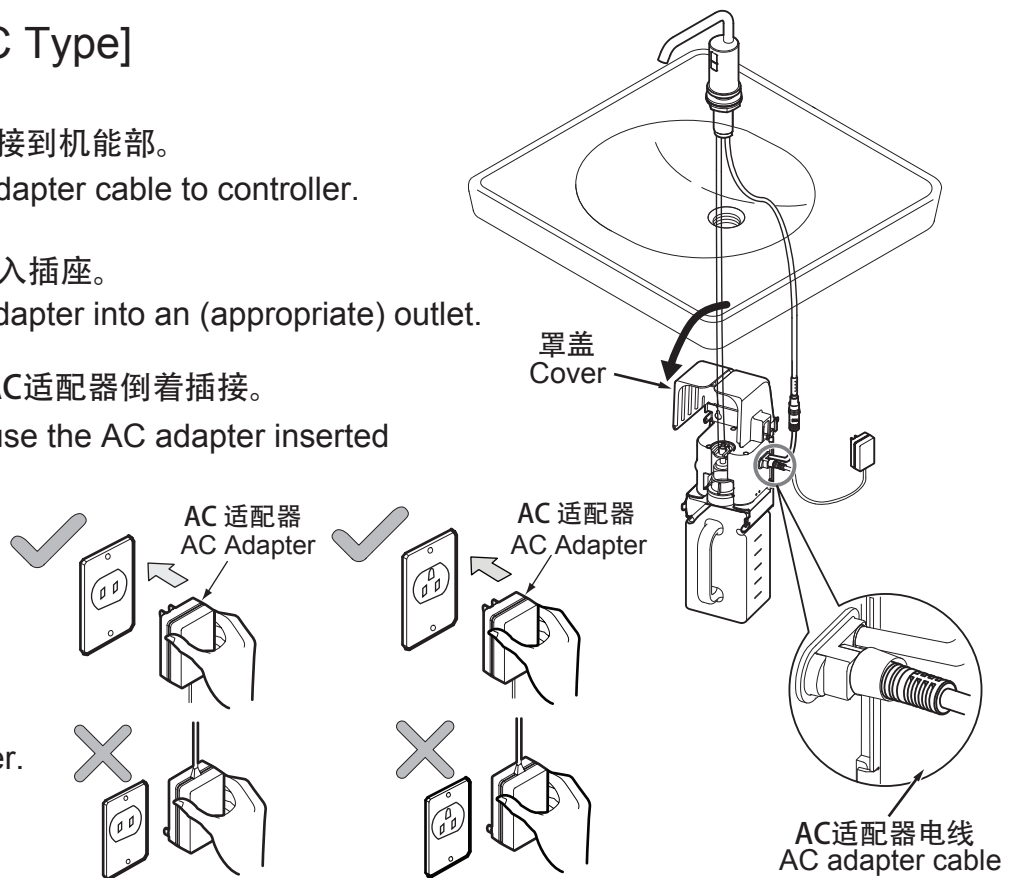
### [AC 型] [AC Type]

- 1.将AC适配器连接到机能部。
- 1.Connect AC adapter cable to controller.
- 2.将AC适配器插入插座。
- 2.Plug the AC adapter into an (appropriate) outlet.

注意：请不要将AC适配器倒着插接。

NOTE : Do not use the AC adapter inserted upside.

- 3.盖上罩盖。
- 3.Close the cover.



# 安装步骤-干电池盒 INSTALLATION PROCEDURE-Battery Box

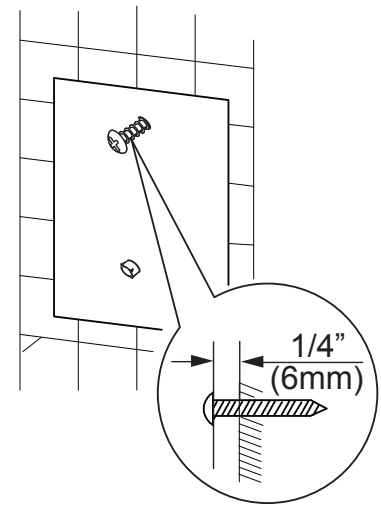
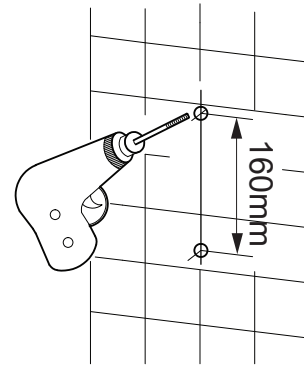
## [DC型] [DC Type]

1. 确认干电池盒的安装位置。  
确保电源线可以连接到机能部。
1. Select position for the battery case.  
Make sure the power supply cable is capable of reaching the controller.

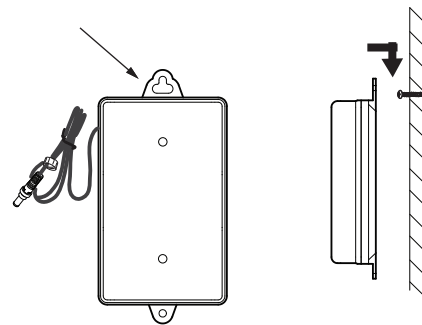
2. 确定安装孔的位置。
2. Mark the location of the mounting holes.

3. 钻2个孔。
3. Drill 2 holes.  
孔深: 25mm Depth: 1"(25mm)  
尺寸: 3mm(无膨胀螺丝) / 7mm(有膨胀螺丝)  
Size: 7/64"(3mm) without anchor  
1/4"(7mm) with anchor

4. 将自攻螺丝插入上方的螺丝孔内, 并且  
将螺丝头部与墙壁之间保持6mm的距离。  
如需要时可以使用膨胀管。
4. Insert a self-tapping screw into upper hole until  
there is a 1/4"(6mm) gap between head of  
screw and wall.  
Use anchors if necessary.

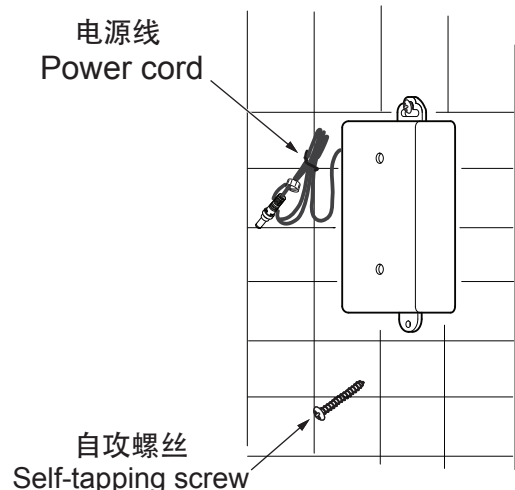


5. 将电池盒挂在螺丝上。
5. Hang the battery case on the screw.



6. 插入一个自攻螺丝, 并拧紧。
6. Insert a self-tapping screw through bottom hole  
of case and tighten.

7. 电源线连接到机能部。
7. Connect power cord to controller.



## 试运行 TESTING

安装完成后，请按照如下方法进行试运行。

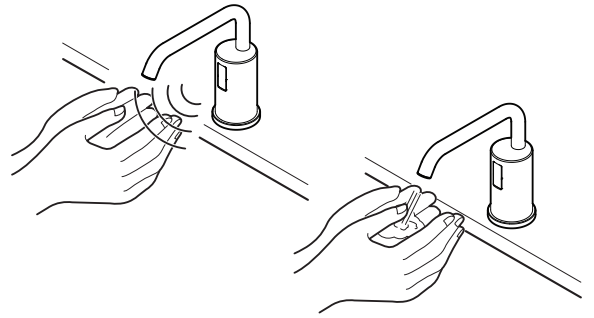
After installation is complete, confirm that the dispenser is working properly using the following method.

1.手接近吐皂口后，即吐皂液。

1.Place your hands under the spout and hold them in place until soap is discharged.

注意：请确认皂液软管和连接处没有皂液漏出。

NOTE: Make sure there is no soap leaking from the tube and connections.

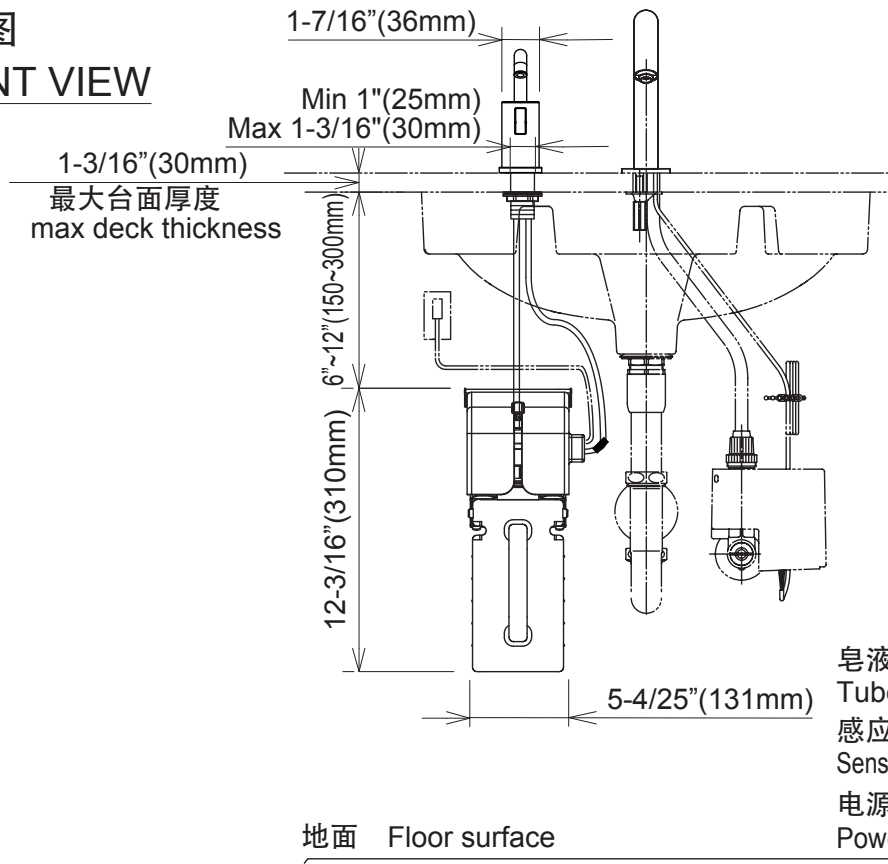


## 规格 SPECIFICATIONS

型号 Type	DSE101E DSE10EH DSE101EP DSE101EPVM	DSE101K DSE101KH DSE101KP DSE101KPVM
电源 Power supply	AC AC 100~240V	DC 4节1.5V碱性1号干电池 4×D 1.5V Alkaline Batteries
感应器感应范围 Sensor detection range	250mm以内可以感知 Within 9-7/8" (Within 250mm) (根据所安装的洗面器而自动设定感知距离; 通电后几分钟内自动设定感知距离, 在250mm内可感知。) (Sensing distance is set automatically according to the installed wash basin)	
使用环境温度 Ambient temperature	32~104°F (1~40°C)	
使用环境湿度 Humidity	Max. 90% RH	
皂液吐出量 Soap volume	0.03-0.04 oz (0.8~1.2ml)	
皂液箱容量 Tank capacity	50 oz (1500ml)	
净重 (kg) Net weight	见包装箱上的标签	见包装箱上的标签
毛重 (kg) Gross weight	见包装箱上的标签	见包装箱上的标签
外箱尺寸 (长×宽×高) Packaging dimension (Length×Width×Height)	见包装箱上的标签	
用途 Applications	公共场所及普通住宅洗脸间用 For washrooms of public areas and conventional residential housing	
适配器 Adaptor	HK-C809-A06 (DSE101E)	GPBSW0601500WD00 (DSE101EH/DSE101EP/DSE101EPVM)
输入 Input	100-240V~ 50/60Hz	
输出 Output	DC 6.0V, 1500mA	
请规范安装此 AC-DC适配器 This AC-DC Adaptor shall be installed and operated according the following specification.	<ul style="list-style-type: none"> <li>● 电源应设置在干燥的地方, 防止电源潮湿 The power supply shall be operated in dry locations. Protect from moisture.</li> <li>● 输出功率不得超过额定功率 The power supply shall be operated in dry locations. Protect from moisture.</li> <li>● 此AC-DC适配器最高可在40摄氏度的环境下工作 This AC-DC Adaptor can be operated at a maximum ambient temperature 40 degree C.</li> <li>● AC-DC适配器(GPBSW0601500WD00)符合标准: IEC61558-2-16-2009 This AC-DC Adaptor (GPBSW0601500WD00) complies with standard IEC61558-2-16-2009.</li> </ul>	

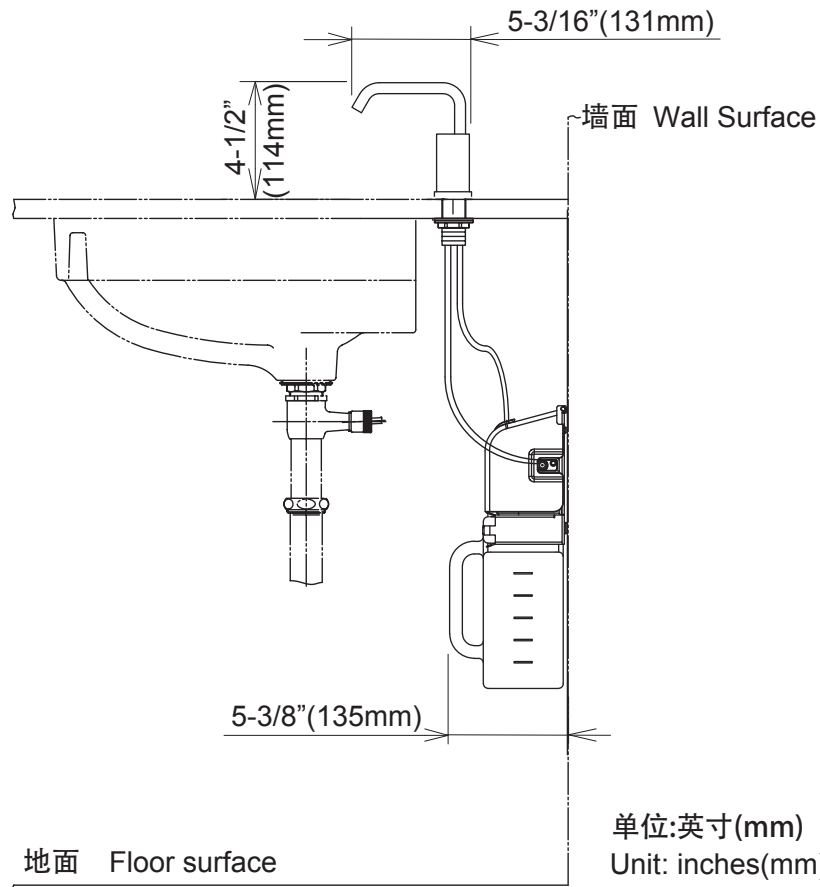
# 完成图 ROUGH - IN DIMENSIONS

前视图  
FRONT VIEW



皂液软管长度  
Tube length: 17-3/4" (450mm)  
感应器连接线长度  
Sensor cable length: 19-3/4" (500mm)  
电源线长度  
Power cord length: 59" (1500mm)

侧视图  
SIDE VIEW



单位:英寸(mm)  
Unit: inches(mm)  
OG454G  
2023.11