

**TOTO**

施工说明书  
Instructions for construction

安装产品前请仔细阅读本施工说明书，并保留备用。  
Before product installation, read these instructions for  
construction carefully and retain it for future reference.

**TOTO**

0G3651Y(D)  
2023.02

# 目录

## 目 录

目 录 .....	1
明细单 .....	2
使用条件与施工上的注意 .....	3
施工上的注意和保养 .....	4
安装完成图 .....	5
水嘴的安装 .....	6-8
生产厂家与销售商 .....	9

# 明细单

## 明细单

水嘴主体 .....	1套
淋浴部 .....	1套
埋入主体 .....	1个
膨胀螺栓 .....	4个
紧固治具 .....	1个
施工说明书 .....	1本
使用说明书 .....	1本

使用此明细单的产品包括：  
DM359CFR 铜合金立式单柄双控浴缸水嘴

# 使用条件与施工上的注意

## 使用条件

1. 供冷水\*热水压强:  
最低压强……………0.05MPa (流动压)  
最高压强……………1.0MPa (静压)
2. 供水温度在4℃~90℃, 建议使用热水温度60±5℃, 供热水请勿使用蒸汽。
3. 使用环境温度0℃以上。如果低于0℃, 水嘴会出现变形、冻裂等现象。
4. 为防止花洒内部损坏, 花洒侧吐水温度不得超过60℃, 建议使用温度45℃以下。
5. 长时间不使用时, 可能导致水嘴内部及外部锈蚀不能使用等现象。
6. 如果您需要废弃本产品, 请勿将其作为一般生活垃圾处理, 请依照法规经由独立的回收体系进行合适的处理、恢复和回收。
7. 本说明书中的产品具有清洗功能。

## 施工上的注意

- ⚠警告** 表示如果无视此标志而误操作时, 有可能造成人员重伤或死亡。
- ⚠注意** 表示如果无视此标志而误操作时, 有可能造成人身伤害或财产损失。

### ⚠警告

1. 水嘴的供热水一侧处于高温状态, 请勿使皮肤直接接触五金配件表面, 否则可能会烫伤。
2. 请勿配反冷\*热水配管, 否则可能会烫伤。
3. 供热水请勿使用蒸汽, 否则可能会烫伤。
4. 当直接从吐水口侧切换到淋浴器侧或从淋浴器侧切换到吐水口侧时, 水温会发生变化, 要用手测试水温度后再使用, 否则可能会烫伤。
5. 如果客户不使用我司水嘴自带的进水口过滤网, 可能会出现阀芯因异物进入而导致的漏水或破损的风险。
6. 施工时本产品的G1/2或G3/4内螺纹请勿与R1/2或R3/4接头安装使用, 否则可能会造成主体螺纹处开裂、漏水等不良。

# 施工上的注意和保养

## ⚠注意

1. 由于陶瓷阀芯是较精密的部件, 请勿擅自分解, 否则可能会造成漏水等不良。
2. 请勿撞击本产品, 否则可能会造成事故、漏水。
3. 随着产品式样的不断更新, 实物存在与图片不符的情况, 但基本安装、使用原理相同。
4. 在可能结冰的场所使用时, 要切实做好防冻措施。  
因结冰, 零件破损, 有可能导致漏水, 造成财产损失。因结冰而造成的破损即使在保修期内也是有偿修理。请不要让产品的环境温度低于0℃。

## 防冻措施

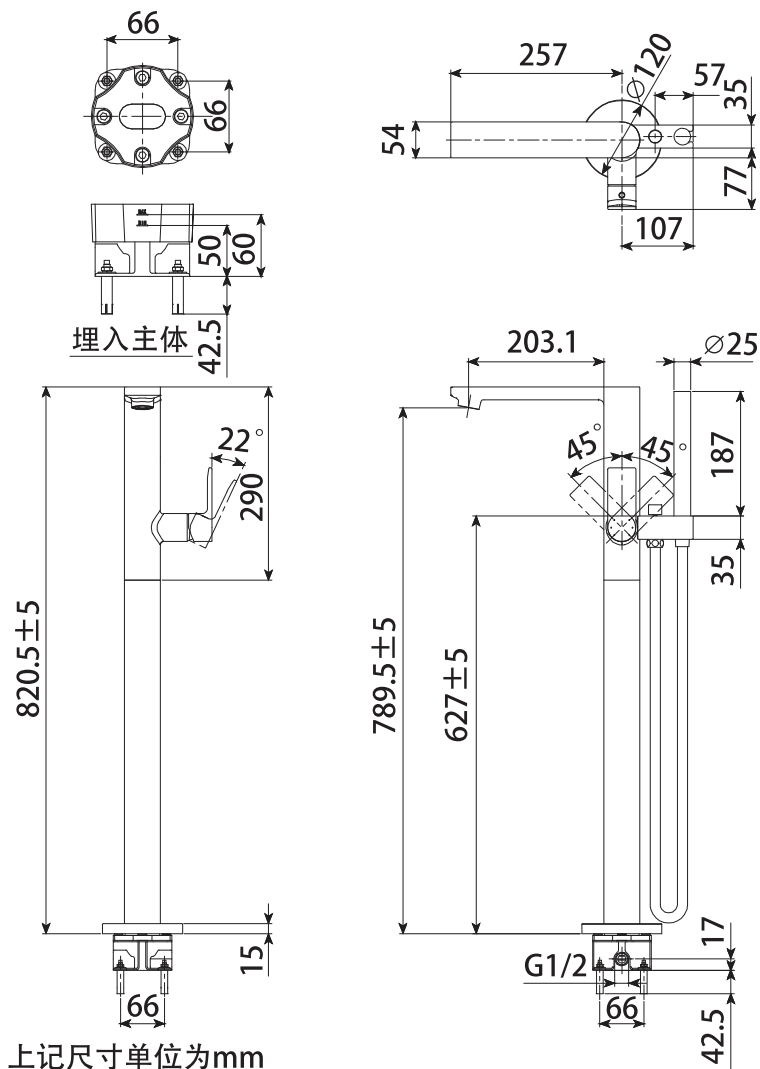
- 在可能结冰的场所使用时, 要切实做好防冻措施。
1. 产品结冰的话零件损坏, 成为漏水的原因。
  2. 因结冰造成的零件破损即使在保修期也是有偿修理。
  3. 施工完了后或长时间不使用时, 要有预防突然降温的准备, 要对产品进行结冰预防。
  4. 因为有结冰的危险, 请不要让产品周围的温度在0℃以下。

## 保养

- 为长期保持产品的美观, 请用户按以下方法维护保养。
1. 经常用软布擦拭, 间或用软布蘸水擦拭。
  2. 当有污垢且比较明显时, 请用中性洗涤剂擦拭后充分进行水洗。

# 安装完成图

DM359CFR 铜合金立式单柄双控浴缸水嘴(可转换·带手持花洒)

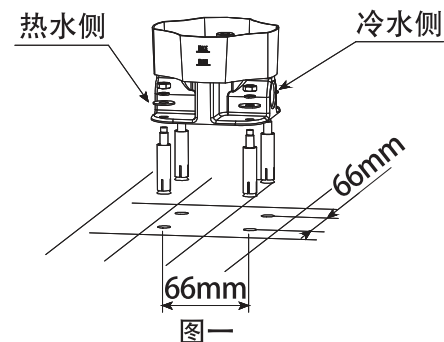


注: 上記尺寸单位为mm  
( )内尺寸为参考尺寸

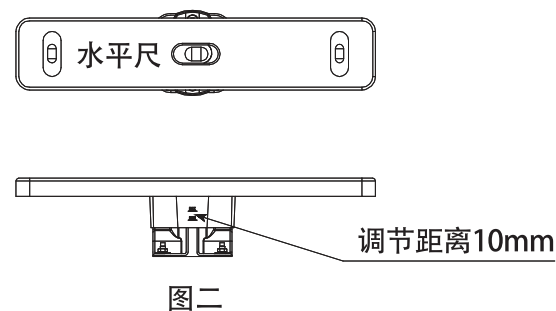
# 水嘴的安装

## 1. 埋入主体的安装

(1) 选择好水嘴的安装位置后, 以66mm的距离在地面开4个 $\varnothing 10$ mm的膨胀孔深度45mm以上, 如图一所示。注意冷热水进水方向, 面向水嘴左手边为热水进水方向, 右手边为冷水进水方向。



(2) 固定时要用水平尺进行确认, 固定的本体是否水平。如图二所示。  
△注意: 完成地面的高度, 完成地面的调节距离10mm。





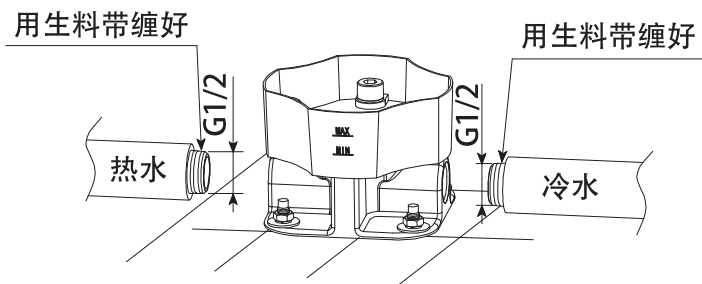
# 水嘴的安装

## 2. 连接进水管

(1)将冷热进水管缠好生料带与埋入主体进行连接。

△注意: 左边为热水侧, 右边为冷水侧。如图三所示。

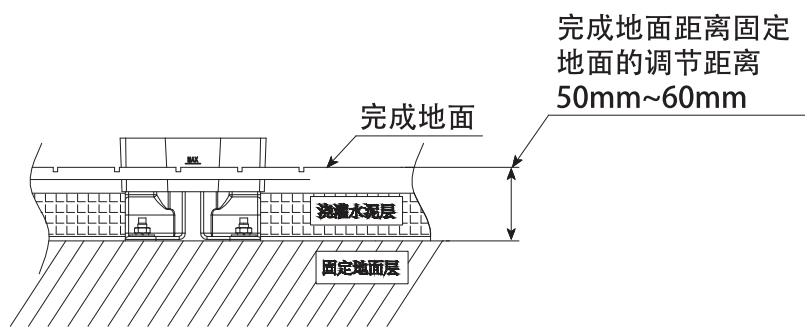
(2)水管接好后, 进行耐压试验, 检查有无漏水点。



图三

## 3. 地面的铺设

埋入主体固定好后, 进行浇灌水泥层, 浇灌时给贴地砖留有余量。  
如图四所示。



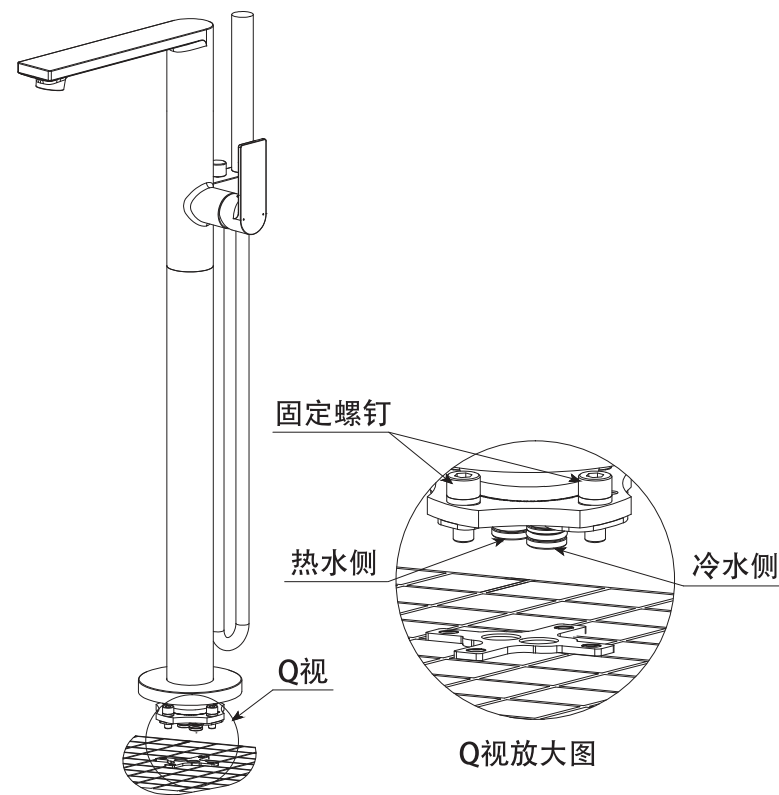
图四

# 水嘴的安装

## 4. 水嘴主体的安装

(1)取下埋入主体的保护套, 旋出两个堵头。△注意: 旋下的螺钉注意保管, 还需要用到水嘴的固定上。

(2)取出水嘴主体部, 对准埋入主体, 插入冷热进水管接头, 最后紧固螺钉将水嘴固定。



# 生产厂家与销售商

产品型号：见包装箱上的标签

产品名称：见包装箱上的标签

生产日期：见包装箱上的标签

组装工厂：东陶(大连)有限公司

电 话：(0411)87624383

厂 址：大连经济技术开发区东北二街17号

东陶(中国)有限公司

全国售后服务电话：800-820-9787 (固定电话)  
400-820-9787 (手机用户)

销售商：东陶(中国)有限公司

地 址：北京市朝阳区光华路1号 北京嘉里中心北楼1915室

网 址：www.toto.com.cn

# Contents

## Contents

Contents .....	1
Detailed list .....	2
Service conditions and attentions in construction .....	3
Attentions in construction and maintenances .....	4
Installation completion figure .....	5
Water nozzle installation .....	6-8
Manufacturer and vendor .....	9

## Detailed list

### Detailed list

Main body of water nozzle .....	1 set
Shower part .....	1 set
Body burjed in .....	1 piece
Expansion bolt .....	4 pieces
Fastening toll .....	1 piece
Instructions for construction .....	1 copy
Instructions for operation.....	1 copy

The products using this detailed list include:

DM359CFR Copper alloy vertical single-handle double-control bath tub water faucet(convertible·having a handheld shower)

## Service condition and attentions in construction

### Use condition

1. Cold water supply\*hot water supply pressure  
Minimum pressure ..... 0.05MPa (flow pressure)  
Maximum pressure.....1.0 MPa (static pressure)
2. The temperature for water supply is 4~90°C, It is suggested to use the hot water temperature of 60±5°C. Do not use steam to supply hot water.
3. The ambient temperature for use is above0°C. If not, the water tap may deform and crack due to freezing.
4. To prevent internal sprinkler damage,the water outlet temperature on the sprinkler side shall not exceed 60°C. It is suggested to use a temperature below 45°C.
5. Being out of use for a long time may result in internal and external rust to the water nozzle and being unable to be used.
6. If you want to scrap this product, do not treat it as you do for general dometic garbage. Please follow relevant statutes to have it treated, recovered and collected appropriately by an independent recovery system.
7. The product in these instructions has a cleaning function.

### Attentions in construction



**Warning:** it means that ignoring this mark and misoperation may cause serious personal injury and death.



**Attention:** it means that ignoring this mark and misoperation may cause personal injury or property loss.

### Warning

1. The hot water supply side of the water nozzle is in a condition of high temperature. Do not allow skin to contact with the hardware surface directly. Otherwise, scalding may occur.
2. Do not reverse cold\*hot water pipes. Otherwise, scalding may occur.
3. Do not use steam to supply hot water. Otherwise, scalding may occur.
4. when shifting directly from the water outlet to the shower side or shifting frow shower side to water outle, the water temperature will change so test water temperature to avoid scalding before using.
5. If a customer fails to use the self-contained water inlet inler net of our water faucet.there is such a risk as water leakage or damage or damage to foreign matters entering into the spool.
6. In constuction.do not install and use the G1/2 or G3/4 internal threads of this product with R1/2 or R3/4 connector. Otherwise, the main body threads may crack,resulting in such quality problems as water leakage,etc.

## Attentions in construction and maintenances

### ⚠ Attentions

1. As the ceramic spool is a precise component, do not dismantle it without authorization. Otherwise, such poor conditions as water leakage, etc. may be caused.
2. Do not impact the product. Otherwise, failure, water leakage may occur.
3. With the product design being updated constantly, the physical object may not coincide with the figure. However, the basic principle for installation, use is the same.
4. When using in places where icing may occur, anti-freezing measures must be taken. The parts will be damaged due to icing, which may cause water leakage and property loss. Damages caused by icing are repaired for a fee even during the warranty period. Please ensure that the ambient temperature of the product is always above 0°C.

### Anti-freezing measures

When using in places where icing may occur, anti-freezing measures must be taken.

1. The parts will be damaged due to icing, which may cause water leakage.
2. Damaged parts caused by icing are repaired for a fee even during the warranty period.
3. After the construction is completed or when it is not used for a long time, prepare to prevent sudden drop of temperature and prevent the product from icing.
4. Because of the risk of icing, please ensure that the ambient temperature of the product is always above 0°C.

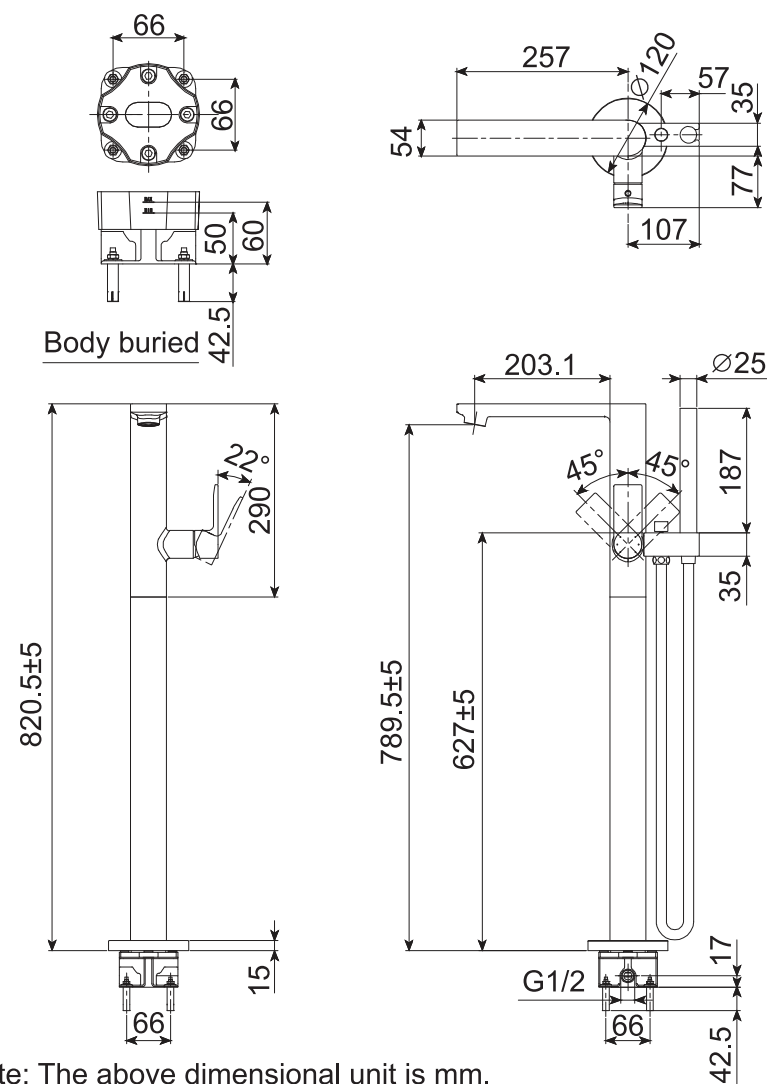
### Maintenance

To maintain a beautiful appearance of the product, the user is requested to conduct maintenance and care in the following method.

1. Wipe with a piece of soft cloth frequently and use a piece of soft cloth dipped in water to wipe from time to time.
2. When dirt exists obviously, please use water to wash sufficiently after wiping with a neutral detergent.

## Installation completion figure

DM359CFR Copper alloy vertical single-handle double-control bath tub water faucet (convertible having a handheld shower)

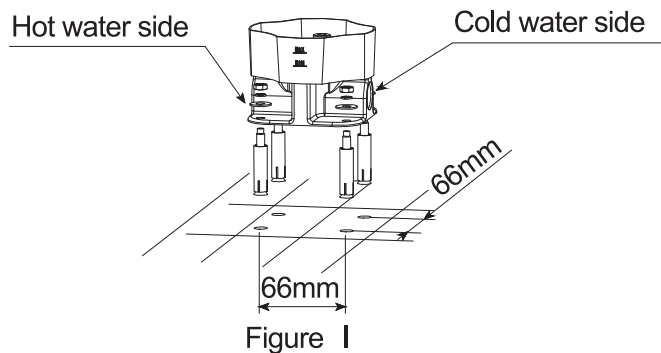


Note: The above dimensional unit is mm.  
The dimension in ( ) is a reference dimension.

# Water nozzle installation

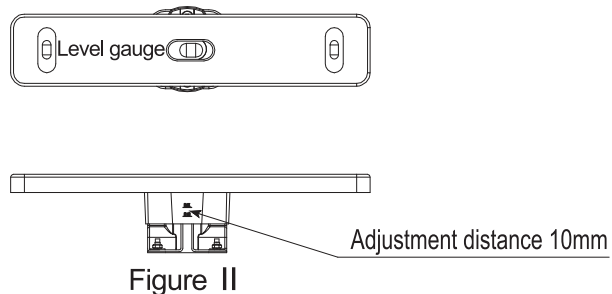
## 1. Install the buried main body

(1) After selecting the position of the water tap properly, cut four  $\varnothing 10$  mm expansion holes with a depth over 45mm at a spacing of 66mm on the ground, as shown in Figure I. Note the cold and hot water inlet direction. The left hand side facing the water tap is the hot water inlet direction and the right hand side is the cold water inlet direction.



(2) In fixing, it is imperative to use a level gauge to confirm if the fixed body is horizontal, as shown in Figure II.

**⚠ Attention: The height of the completion ground. The adjustment distance of the completion ground is 10mm.**



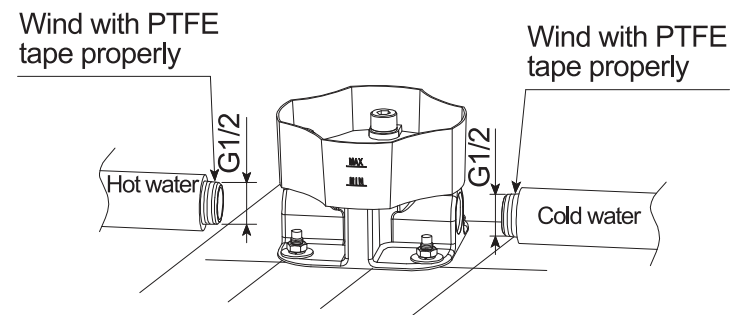
# Water nozzle installation

## 2. Connecting water inlet pipe

(1) Wind PTFE tape on the cold and hot water pipe and then connect with the body buried in the wall.

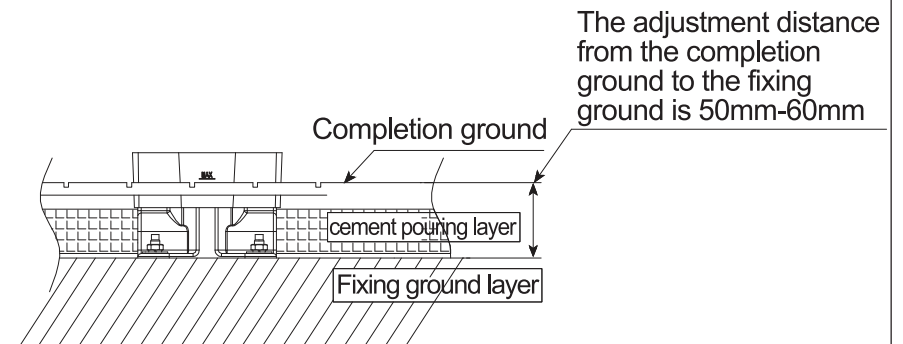
**⚠ Attention: The left side is the hot water side and the right side is the cold water side, as shown in Figure III.**

(2) After water pipe connection, conduct pressure test to see if any water leakage point exists.



## 3. Ground laying

After fixing the body buried in, pour the cement layer. Reserve allowance for applying floor tiles, as shown in Figure IV.



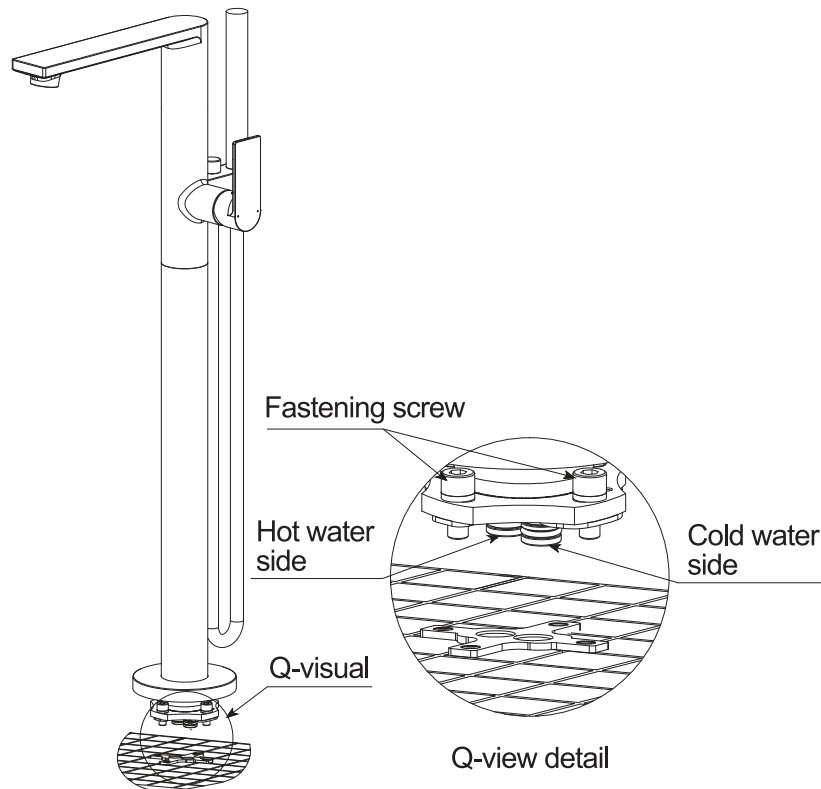
# Water nozzle installation

## 4. Installation of main water tap body

(1) Remove the protective cover for the body buried in wall and unscrew the two plugs.

**⚠ Attention: take care to preserve the screws unscrewed, which will be used to fix the water tap.**

(2) Take out the main body part of the water faucet and align with the buried main body. Insert the cold and hot water inlet pipe connector. Finally, fasten the screws to secure the wat.



# Manufacturer and vendor

Applicable standard: GB 18145-2014、 GB28378-2019

Product Model No.: See the label on the packaging case

Product name: See the label on the packaging case

Production date: See the label on the packaging case

Assembly factory: TOTO (Dalian) Co., Ltd.

Telephone: (0411)87624383

Factory address: 17 Dong Bei Second Street, Economic & Technical Development zone, Dalian

TOTO(China) Co., Ltd.

After-sale service toll free telephone all over the country:

800-820-9787 (fixed telephone)

400-820-9787 (for mobile phone users)

Vendor: TOTO(China) Co., Ltd.

Address: Room 1915, North Building of Beijing Jiali Center, No. 1, Guanghua Road, Chaoyang District, Beijing

Website: [www.toto.com.cn](http://www.toto.com.cn)