

施工说明书 Instructions for construction

安装产品前请仔细阅读本施工说明书，并保留备用。
Before product installation, read these instructions for construction carefully and retain it for future reference.

TOTO

TOTO

OG3471Y(B)
2021.08

目录

目 录

目 录.....	1
明细单.....	2
使用上的条件与施工上的注意...	3
施工上的注意和保养	4
安装完成图.....	5-7
水嘴的安装.....	8-9
生产厂家与经销商.....	10

明细单

明细单

面 板 部.....	1套
主 体 部.....	1套
养 生 套.....	1套
施工说明书.....	1本
使用说明书.....	1本

使用此明细单的产品包括：

DBX116C	身体冲洗龙头（埋入式·浴室用）
DBX116-1C	身体冲洗龙头（埋入式·浴室用）
DBX131C	身体冲洗龙头（埋入式·浴室用）

使用条件与施工上的注意

使用条件

1. 供冷水*热水压力：
最低压力……0.05MPa（流动压）
最高压力……0.5MPa（流动压）
2. 供水温度不得超过70℃，建议使用热水温度60±5℃，供热水请勿使用蒸汽。
3. 使用环境温度0℃以上。如果低于0℃，水嘴会出现变形、冻裂等现象。
4. 为防止花洒内部损坏，花洒侧吐水温度不得超过60℃，建议使用温度45℃以下。
5. 长时间不使用时，可能导致水嘴内部及外部锈蚀不能使用等现象。
6. 如果您需要废弃本产品，请勿将其作为一般生活垃圾处理，请依照法规经由独立的回收体系进行合适的处理、恢复和回收。
7. 本说明书中的产品具有清洗功能。

施工上的注意

- ⚠警告** 表示如果无视此标志而误操作时，有可能造成人员重伤或死亡。
⚠注意 表示如果无视此标志而误操作时，有可能造成人身伤害或财产损失。

⚠警告

1. 水嘴的供热水一侧处于高温状态，请注意勿使皮肤直接接触五金配件表面，否则可能会烫伤。
2. 请勿配反冷*热水配管，否则可能会烫伤。
3. 供热水请勿使用蒸汽，否则可能会烫伤。
4. 如果客户不使用我司水嘴自带的进水口过滤网，可能会出现阀芯因异物进入而导致的漏水或破损的风险。

施工上的注意和保养

⚠注意

1. 请勿撞击本产品，否则可能会造成故障、漏水。
2. 必须使用中性洗涤剂清洗，中性以外的洗涤剂会破坏镀层或使表面变色。
3. 不得使用酸性洗涤剂和去污粉、抛光粉等含粗颗粒的洗涤剂和尼龙刷，否则可能会破坏镀层等。
4. 可使用软布擦拭，间或用机油或车用蜡浸布擦拭，但请勿接触树脂部件，否则可能失去光泽和产生锈蚀。
5. 建议不要长时间不使用，否则可能会导致水嘴内部以及外部锈蚀不能使用等现象。
6. 随着产品式样的不断更新，实物存在与图示不符的情况，但基本安装、使用原理相同。
7. 在可能结冰的场所使用时，要切实做好防冻措施。
因结冰，零件破损，有可能导致漏水，造成财产损失。因结冰而造成的破损即使在保修期内也是有偿修理。请不要让产品的环境温度低于0℃。

防冻措施

- 在可能结冰的场所使用时，要切实做好防冻措施。
1. 产品结冰的话零件损坏，成为漏水的原因。
 2. 因结冰造成的零件破损即使在保修期也是有偿修理。
 3. 施工完了后或长时间不使用时，要有预防突然降温的准备，要对产品进行结冰预防。
 4. 因为有结冰的危险，请不要让产品周围的温度在0℃以下。

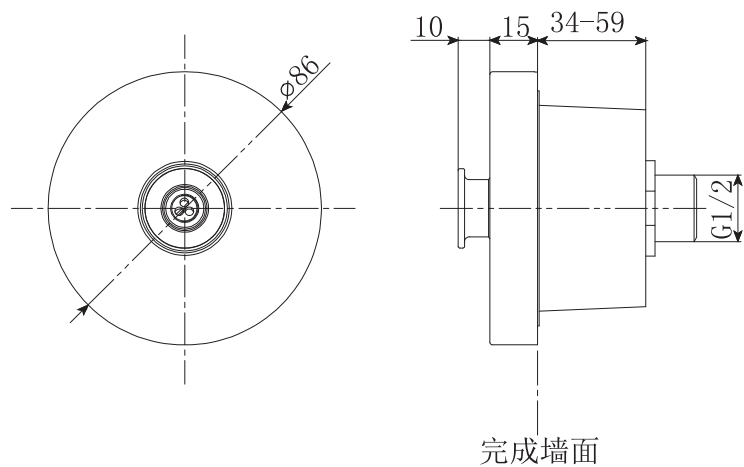
保养

为长期保持产品的美观，请用户按以下方法维护保养。

1. 经常用软布擦拭，间或用软布蘸水擦拭。
2. 当有污垢且比较明显时，请用中性洗涤剂擦拭后充分进行水洗。

安装完成图

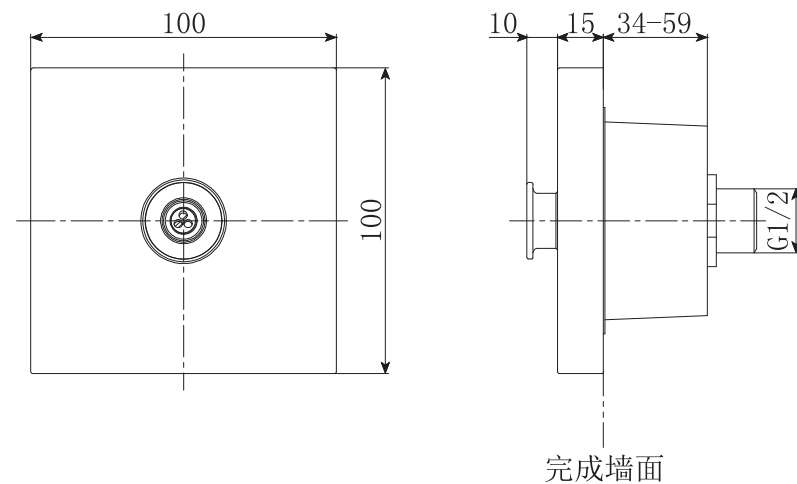
DBX116C 身体冲洗龙头(埋入式·浴室用)



注：上記尺寸单位为mm
() 内尺寸为参考尺寸

安装完成图

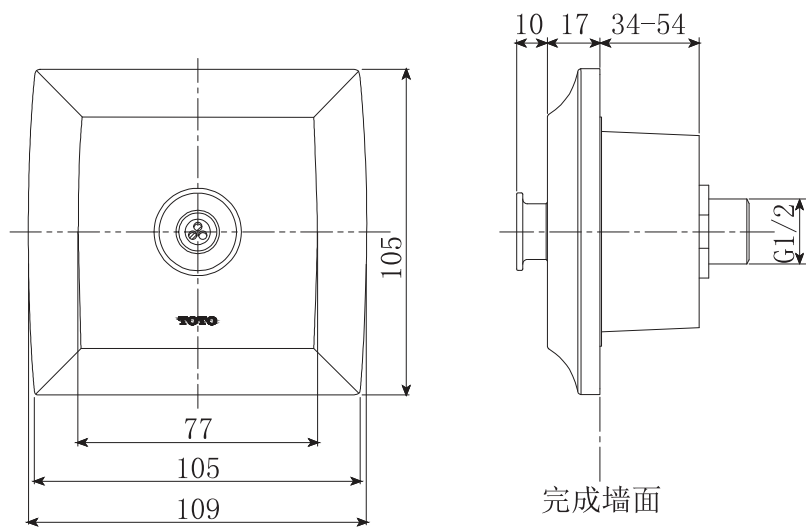
DBX116-1C 身体冲洗龙头(埋入式·浴室用)



注：上記尺寸单位为mm
() 内尺寸为参考尺寸

安装完成图

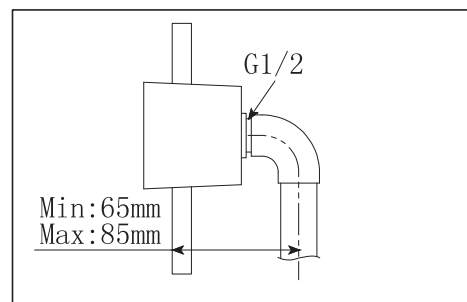
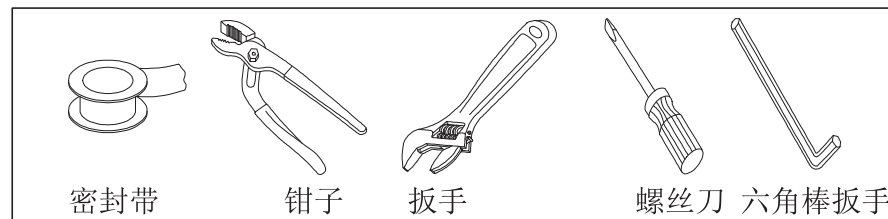
DBX131C 身体冲洗龙头(埋入式·浴室用)



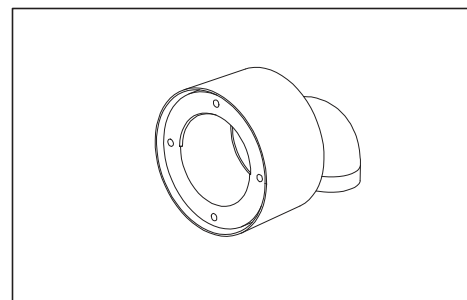
注：上記尺寸单位为mm
 () 内尺寸为参考尺寸

水嘴的安装

需要准备的工具



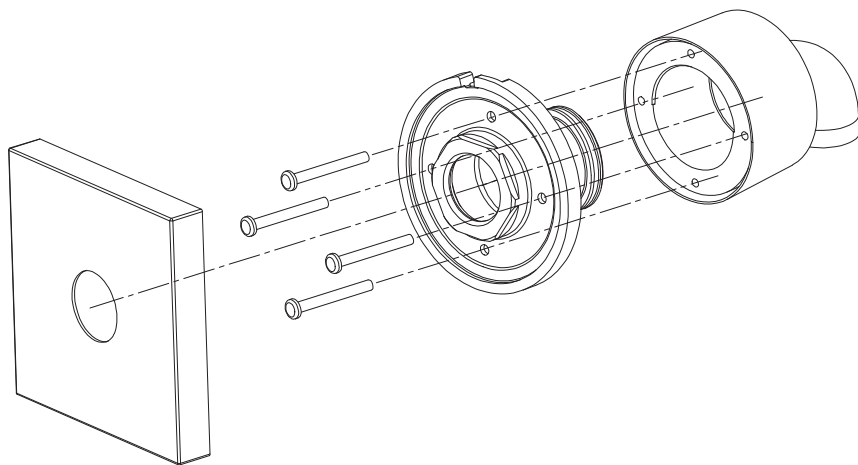
1、把主体与相应的管子连接好，注意墙面位置在养生套的标记之间，然后比照产品形状在墙面开槽；（**注意：安装前务必试水，以防漏水等不良，产品应与墙面保持垂直，且保证四个螺丝孔位置应如右下图成“十”字**）。



2. 将多余突出墙面的养生套截掉。

水嘴的安装

3、取下装饰盖把组合好的面板部装入本体部，注意有缺口的位置在上面，然后用4个螺钉将面板部固定，将装饰板安装上，注意有螺紋口处向下。安装过程中小心不要划伤，用六角棒扳手将小螺钉拧压装饰板上，使之固定。



生产厂家与销售商

执行标准：GB/T 23447-2009、GB 28378-2019

产品型号：见包装箱上的标签

产品名称：见包装箱上的标签

生产日期：见包装箱上的标签

组装工厂：东陶（大连）有限公司

电 话： (0411) 87624383

厂 址：大连经济技术开发区东北二街17号

东陶(中国)有限公司

全国售后服务电话：800-820-9787(固定电话)

400-820-9787(手机用户)

销售商：东陶(中国)有限公司

地 址：北京市朝阳区光华路1号 北京嘉里中心北楼1915室

网 址：www.toto.com.cn

Contents

Contents

Contents.....	1
Detailed list.....	2
Service condition and attentions in construction	3
Attentions in construction and maintenance	4
Installation completion figure	5-7
Water nozzle installation	8-9
Manufacturer and vendor.....	10

Detailed list

Detailed list

Panel part	1 set
Body part	1 set
Preservation sleeve	1 set
Instructions for construction	1 copy
Instructions for operation	1 copy

The products using this detailed list include:



- DBX116C body washing faucet (burial type for use in bathroom)
- DBX116-1C body washing faucet (burial type for use in bathroom)
- DBX131C body washing faucet (burial type for use in bathroom)

Servicecondition and attentions in construction

Use condition

1. Cold water supply*hot water supply pressure
Minimum pressure 0.05MPa (flow pressure)
Maximum pressure 0.5MPa (flow pressure)
2. The hot water supply temperature must not exceed 70°C.It is suggested to use the hot water temperature of 60±5°C.Do not use steam to supply hot water.
3. The ambient temperature for use is above 0°C. If not, the water tap may deform and crack due to freezing.
4. To prevent internal sprinkler damage,the water outlet temperature on the sprinkler side shall not exceed 60°C.It is suggested to use a temperature below 45°C.
5. Being out of use for a long time may result in internal and external rust to the water nozzle and being unable to be used.
6. If you want to scrap this product, do not treat it as you do for general domestic garbage. Please follow relevant statutes to have it treated, recovered and collected appropriately by an independent recovery system.
7. The product in these instructions has a cleaning function.

Attentions in construction

-  **Warning:**it means that ignoring this mark and misoperation may cause serious personal injury and death.
-  **Attention:** it means that ignoring this mark and misoperation may cause personal injury or property loss.

Warning

- 1.The hot water supply side of the water nozzle is in a condition of high temperature. Do not allow skin to contact with the hardware surface directly. Otherwise,scalding may occur.
- 2.Do not reverse cold*hot water pipes. Otherwise, scalding may occur.
- 3.Do not use steam to supply hot water. Otherwise, scalding may occur.
- 4.If a customer fails to use the self-contained water inlet filter net of our water faucet,there is such a risk as water leakage or damage due to foreign matters entering into the spool.

Attentions in construction and maintenance

Attentions

1. Do not impact the product. Otherwise, failure, water leakage may occur.
2. It is imperative to use a neutral detergent in cleaning. Other detergents than a neutral one may damage the plating coat or make the surface discolor.
3. Do not use any such detergent as acidic detergent and abstergent, polishing powder, etc.containing thick particles and nylon brush. Otherwise, the plating coat may be damaged,etc.
4. It is allowed to use a piece of soft cloth to wipe or use from time to time a piece of cloth immersed in machine oil or vehicle wax to wipe. However, do not contact with resin components. Otherwise, they may lose the gloss and become rusty.
5. It is suggested not to leave it unused for a long time. Otherwise, this may lead to internal and external rust to water nozzle to such a degree that it cannot be used any more, etc.
6. With the product design being updated constantly, the physical object may not coincide with the figure. However, the basic principle for installation, use is the same.
7. When using in places where icing may occur, anti-freezing measures must be taken.The parts will be damaged due to icing, which may cause water leakage and property loss. Damages caused by icing are repaired for a fee even during the warranty period. Please ensure that the ambi ent temperature of the product is always above 0°C.

Anti-freezing measures

When using in places where icing may occur, anti-freezing measures must be taken.

1. The parts will be damaged due to icing, which may cause water leakage.
2. Damaged parts caused by icing are repaired for a fee even during the warranty period.
3. After the construction is completed or when it is not used for a long time, prepare to prevent sudden drop of temperature and prevent the product from icing.
4. Because of the risk of icing, please ensure that the ambient temperature of the product is always above 0°C.

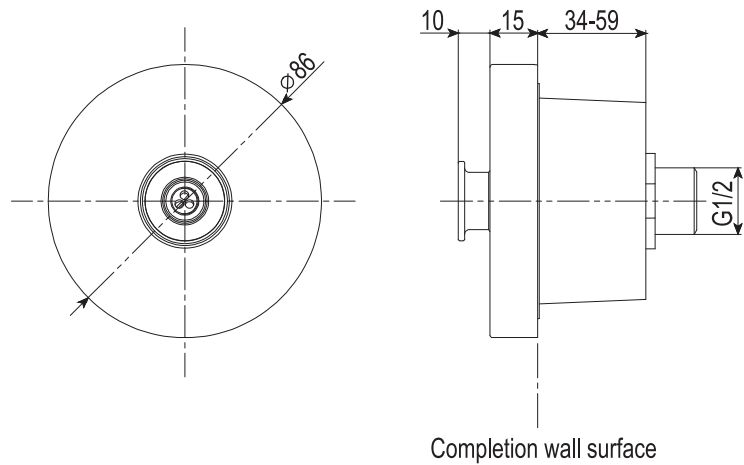
Maintenance

To maintain a beautiful appearance of the product, the user is requested to conduct maintenance and care in the following method.

1. Wipe with a piece of soft cloth frequently and use a piece of soft cloth dipped in water to wipe from time to time.
2. When dirt exists obviously, please use water to wash sufficiently after wiping with a neutral detergent.

Installation completion figure

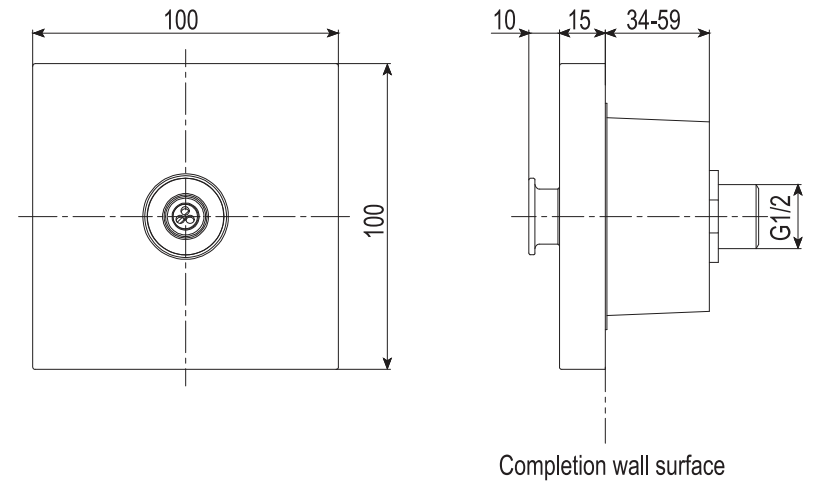
DBX116 body washing faucet (burial type-for use in bathroom)



Note: The above dimensional unit is mm.
The dimensions in () are reference ones.

Installation completion figure

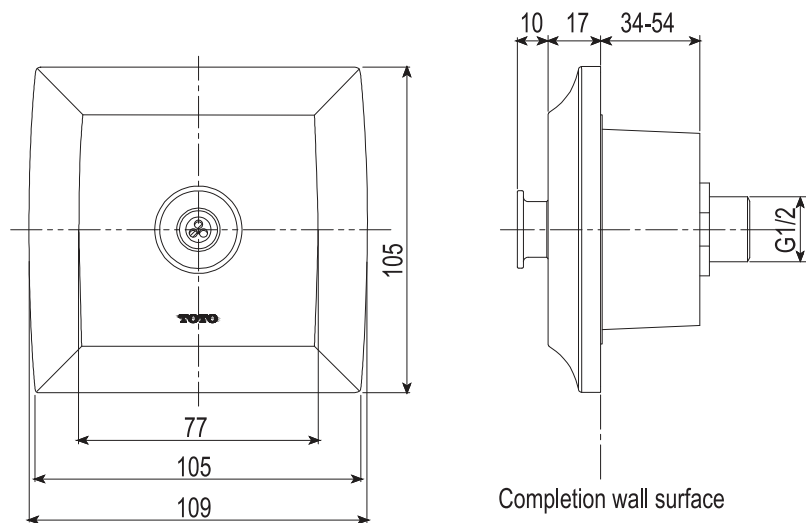
DBX116-1C body washing faucet (burial type-for use in bathroom)



Note: The above dimensional unit is mm.
The dimensions in () are reference ones.

Installation completion figure

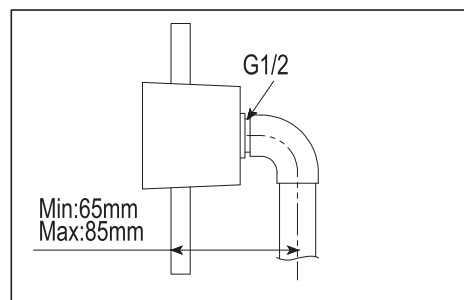
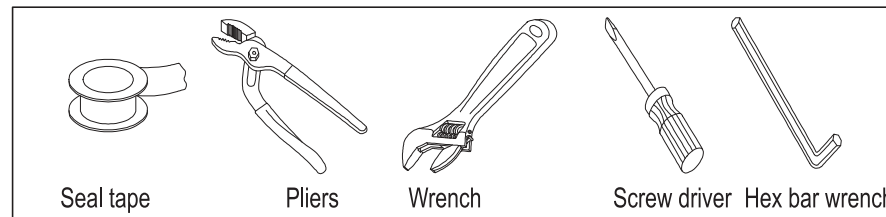
DBX131C body washing faucet (burial type·for use in bathroom)



Note: The above dimensional unit is mm.
The dimensions in () are reference ones.

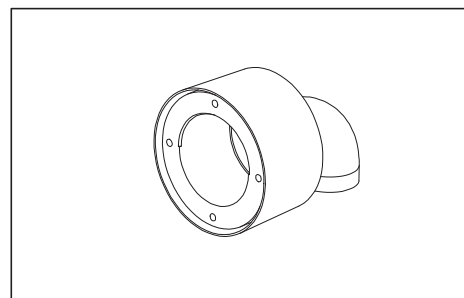
Water nozzle installation

Tool to be prepared



1. Connect the body and corresponding pipe properly. Note that the position on the wall surface is between the preservation sleeve marks. Then cut a slot on the wall surface by making reference to the product shape.
(△ Attention: Be sure to do a water test before installation to prevent water leakage, etc.)

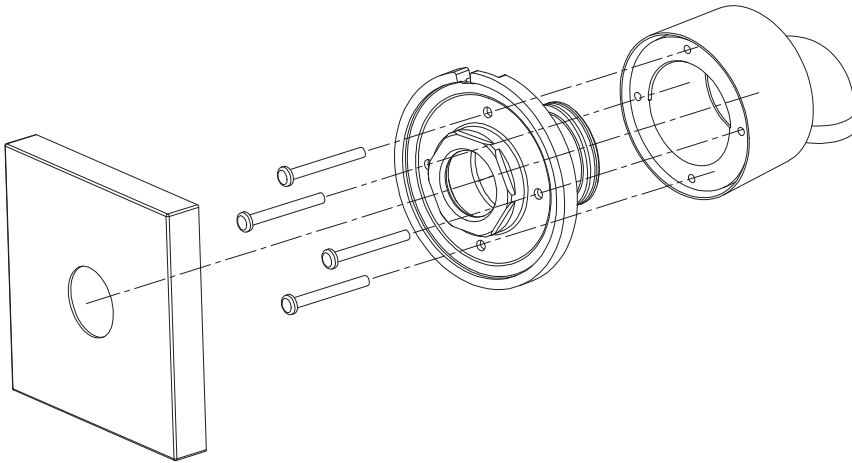
The product should be kept perpendicular to the wall surface and it should be ensured that the positions of the four screw holes should be in a *cross* form as shown in the figure below).



2. Remove the excessive part of the preservation sleeve protruding out of the wall surface.

Water nozzle installation

3.Remove the decorative cover and install the combined panel part into the body part.Note that the location with a notch is in the upper part.Then use 4 screws to fix the panel part.Install the decorative panel.Note that the screw thread mouth faces downward.Take care not to cause any scratch during installation.Use a hex bar wrench to screw the small screws on the decorative plate and fix them.



Manufacturer and vendor

Applicable standard:GB/T 23447-2009、 GB 28378-2019

Product Model No.:See the label on the packaging case

Product name:See the label on the packaging case

Production date:See the label on the packaging case

Assembly factory:TOTO(Dalian)Co.,Ltd.

Telephone:(0411)87624383

Factory address:17 Dong Bei Second Street,Economic&Technical
Development zone,Dalian

TOTO(China)Co.,Ltd.

After-sale service toll free telephone all over the country:

800-820-9787(fixed telephone)

400-820-9787(for mobile phone users)

Vendor:TOTO(China)Co.,Ltd.

Address:Room 1915,North Building of Beijing Jiali Center,No.1,
Guanghua Road,Chaoyang District,Beijing

Website:www.toto.com.cn