

# 施工说明书

安装产品前请仔细阅读本施工说明书，并保留备用。  
Before product installation, read these instructions for construction carefully and retain it for future reference.

# TOTO

# TOTO

OG4771YIAI  
2018.06

# 目录

## 目 录

目录.....	1
明细单 .....	2-3
使用条件与施工上的注意 .....	4
施工上的注意与保养 .....	5
安装完成图 .....	6-7
水嘴的安装 .....	8-10
生产厂家与销售商.....	11

# 明细单

## 明细单

淋浴器.....	1套
淋浴软管.....	1根
施工说明书 .....	1本
使用说明书 .....	1本

使用本明细单的产品包括:

TBW01008B2	手持花洒(圆形单功能)
TBW01008B2 #PG	手持花洒(圆形单功能)
TBW01010B2	手持花洒(圆形多功能)
TBW01010B2#PG	手持花洒(圆形多功能)

# 明细单

## 明细单

淋浴支架·····	1套
主体部 ·····	1套
施工说明书·····	1本
使用说明书·····	1本

使用本明细单的产品包括：



TBW01031B	淋浴支架
TBW01031B#PG	淋浴支架

# 使用条件与施工上的注意

## 使用条件

1. 供冷水\*热水压力：  
最低压力·····0.05MPa（流动压）  
最高压力·····0.75MPa（静压）  
推荐使用压力·····单功能0.12MPa（流动压）-0.5MPa（流动压）  
多功能0.15MPa（流动压）-0.5MPa（流动压）
2. 供水温度在4℃~60℃，建议使用热水温度60℃以下，供热水请勿使用蒸汽。
3. 使用环境温度1~40℃。如果低于0℃，水嘴会出现变形、冻裂等现象。
4. 为防止花洒内部损坏，花洒侧吐水温度不得超过60℃，建议使用温度45℃以下。
5. 长时间不使用时，可能导致水嘴内部及外部锈蚀不能使用等现象。
6. 如果您需要废弃本产品，请勿将其作为一般生活垃圾处理，请依照法规经由独立的回收体系进行合适的处理、恢复和回收。
7. 本说明书中的产品具有清洗功能。

## 施工上的注意

-  **警告** 表示如果无视此标志而误操作时，有可能造成人员重伤或死亡。
-  **注意** 表示如果无视此标志而误操作时，有可能造成人身伤害或财产损失。

### 警告

1. 水嘴的供热水一侧处于高温状态，请勿使皮肤直接接触五金配件表面，否则可能会烫伤。
2. 请勿配反冷\*热水配管，否则可能会烫伤。
3. 供热水请勿使用蒸汽，否则可能会烫伤。
4. 当直接从吐水口侧切换到淋浴器侧或从淋浴器侧切换到吐水口侧时，水温会发生变化，要用手测试水温后再使用，否则可能会烫伤。

# 施工上的注意与保养

## ⚠注意

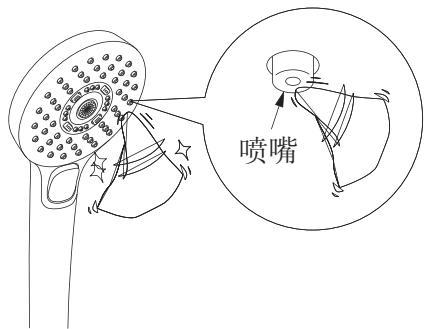
1. 请勿撞击本产品，否则可能会造成故障、漏水。
2. 必须使用中性洗涤剂清洗，中性以外的洗涤剂会破坏镀层或使表面变色。
3. 不得使用酸性洗涤剂和去污粉、抛光粉等含粗颗粒的洗涤剂和尼龙刷，否则可能会破坏镀层等。
4. 可使用软布擦拭，间或用机油或车用蜡浸布擦拭，但请勿接触树脂部件，否则可能失去光泽和产生锈蚀。
5. 建议不要长时间不使用，否则可能导致水嘴内部以及外部锈蚀不能使用等现象。
6. 随着产品式样的不断更新，实物存在与图示不符的情况，但基本安装、使用原理相同。

## 保养

为长期保持产品的美观，请用户按以下方法维护保养。

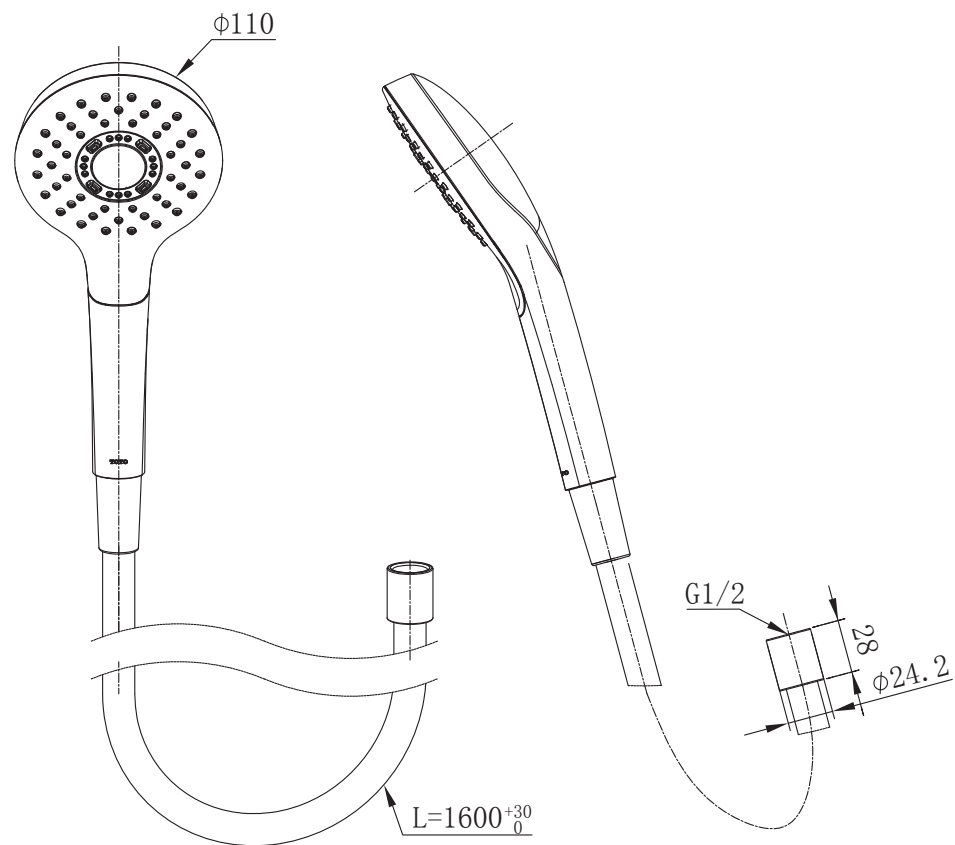
1. 经常用软布擦拭，间或用软布蘸水擦拭。
2. 当有污垢且比较明显时，请用中性洗涤剂擦拭后充分进行水洗。
3. 散水板的保养与维护：

- 轻度脏的场合，将软布用温水浸湿后拧干擦拭。
- 重度脏的场合，用软布蘸取适量中性洗调剂擦拭后用清水充分清洗，再用软布擦干。
- 当喷嘴有堵塞、流线混乱时，将软布用温水浸湿后拧干擦拭，注意不要将喷嘴划破，如果太用力擦拭，喷嘴容易被划破、变形，从而造成流线变形。



# 安装完成图

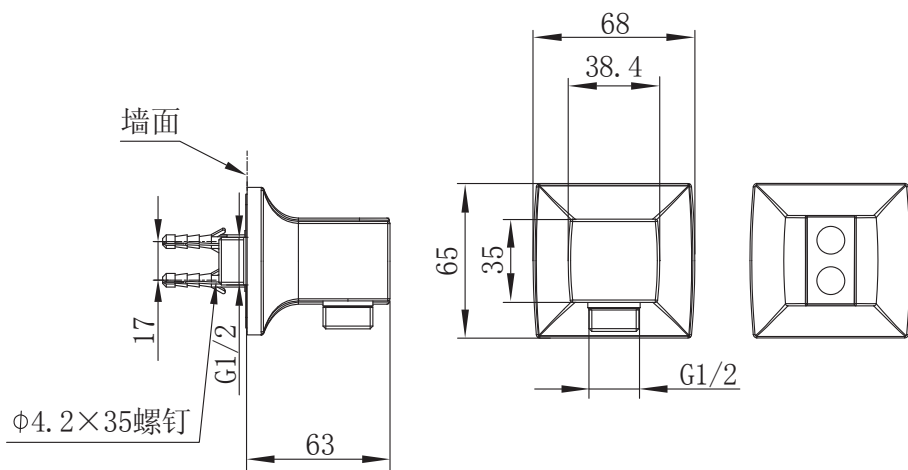
TBW01008B2 手持花洒(圆形单功能)  
TBW01010B2 手持花洒(圆形多功能)



注：上記尺寸单位为mm( )内尺寸为参考尺寸

# 安装完成图

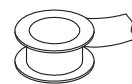
TBW01031B 淋浴支架



注：上記尺寸单位为mm( )内尺寸为参考尺寸

# 水嘴的安装

事前准备工具



密封带



螺丝刀



六角棒扳手

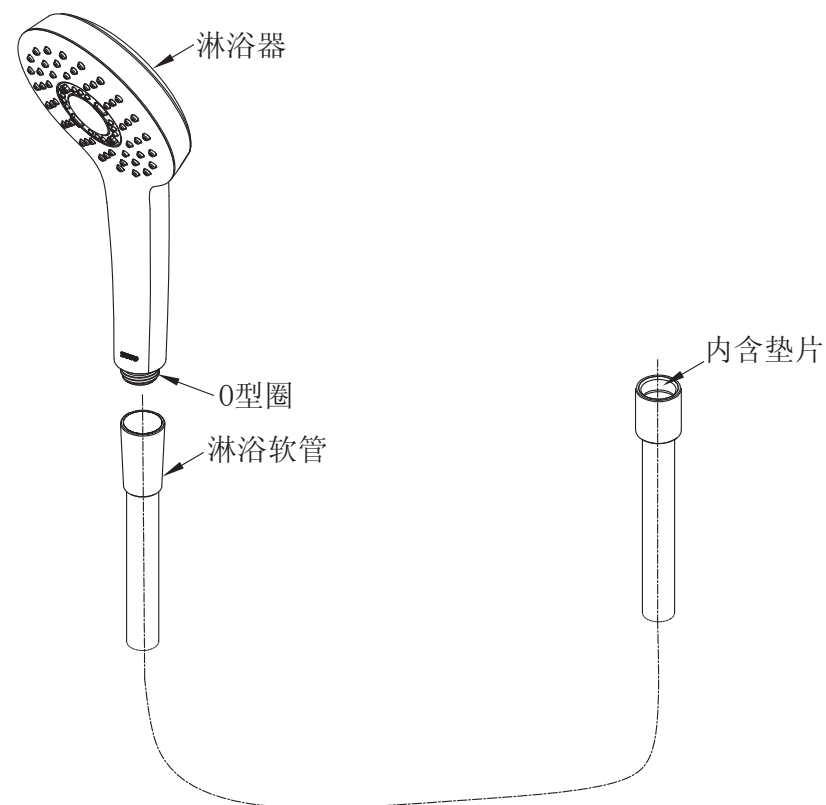


扳手

TBW01008B2安装

安装前确认

- 确认供水管已经关闭，确认安装前水路进行清洗了。
- 仔细阅读施工说明书并按照说明书的安装要领来进行安装。
- 确认您所看到的包装盒内的部件同下图相同。



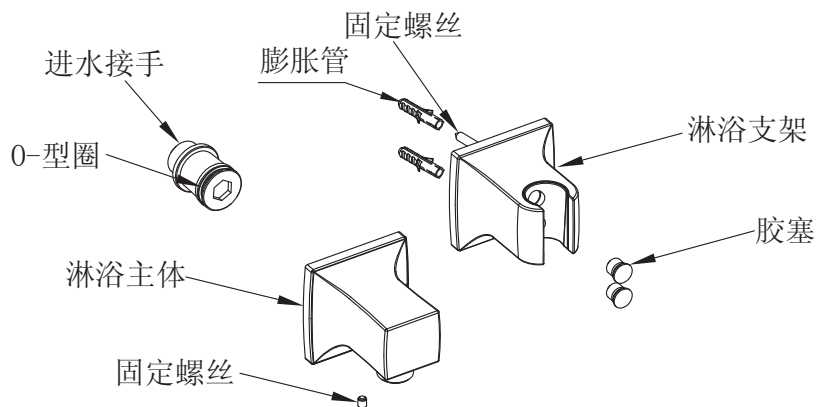
1. 将淋浴软管两端分别与本体部螺纹、淋浴器相连接。

# 水嘴的安装

## TBW01031B安装

### 安装前确认

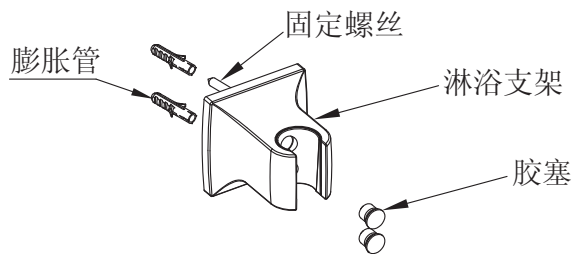
- 确认供水管已经关闭，确认安装前水路进行清洗了。
- 仔细阅读施工说明书并按照说明书的安装要领来进行安装。
- 确认您所看到的包装盒内的部件同下图相同。



### 1. 淋浴支架的安装

- ① 对照淋浴支架上的安装孔尺寸在墙面上沿垂直方向开两个孔。
- ② 在孔内打入膨胀管。将淋浴支架开口腔内胶塞拆卸下来，装入固定螺丝。
- ③ 将淋浴支架放在预先打好孔的墙面上然后用固定螺丝将其紧固。（注意要保证其方向正确）。
- ④ 将胶塞装入淋浴支架内。

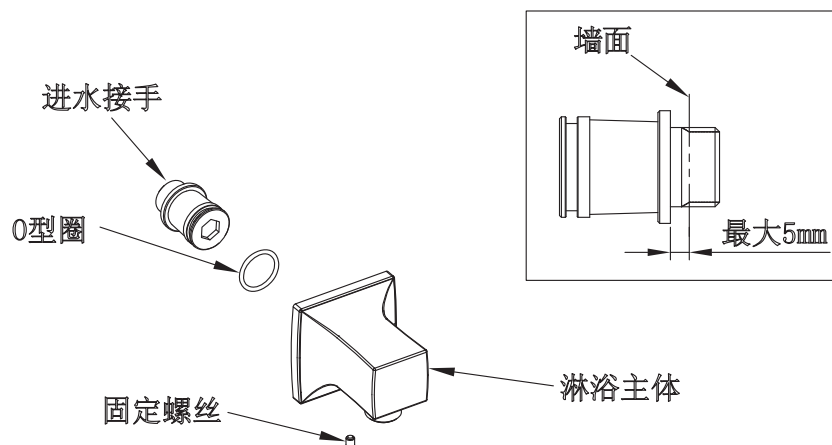
△注：安装前务必确认墙内配管的位置，切勿钻孔时损伤配管造成漏水。



# 水嘴的安装

## 2. 淋浴主体的安装

- ① 将进水接手螺纹处缠上密封胶带，然后旋入供水接头中。
- ② 将淋浴主体安装在进水接手上，然后用螺钉固定。



# 生产厂家与销售商

本品经检查判定合格

执行标准：GB T23447-2009、GB 28378-2012  
QB/T 1334-2013(适用于TBW01031B)

产品型号：见包装箱上的标签

产品名称：见包装箱上的标签

生产日期：见包装箱上的标签

组装工厂：东陶（大连）有限公司

电 话： (0411) 87624383

厂 址：大连经济技术开发区东北二街17号

东陶(中国)有限公司

全国售后服务电话：800-820-9787(固定电话)  
400-820-9787(手机用户)

销售商：东陶(中国)有限公司

地 址：北京市朝阳区光华路1号 北京嘉里中心北楼1915

网 址：www.toto.com.cn

# Contents

## Contents

Contents .....	1
Detailed list .....	2-3
Use condition and attentions in construction .....	4
Attentions in use and maintenances .....	5
Installstion completion figure .....	6-7
Faucet installation .....	8-10

## Detailed list

---

### Detailed list

Shower .....1 set  
Shower hose .....1 piece  
Instructions for construction .....1 copy  
Instructions for operation .....1 copy

The products using this detailed list include:

TBW01008B2	"G Shower" 1mode Hand Shower Set (Standard Type)
TBW01008B2 #PG	"G Shower" 1mode Hand Shower Set (Standard Type)
TBW01010B2	"G Shower" 3mode Hand Shower Set (Standard Type)
TBW01010B2#PG	"G Shower" 3mode Hand Shower Set (Standard Type)

## Detailed list

---

### Detailed list

Shower holder .....1 set  
Body .....1 set  
Instructions for construction .....1 copy  
Instructions for operation .....1 copy

The products using this detailed list include:

TBW01031B	Shower holder
TBW01031B#PG	Shower holder



# Use condition and attentions in construction

## Use condition

1. Minimum pressure.....0.05MPa (flow pressure)  
Maximum pressure.....0.75MPa (static pressure)  
Recommended Operating pressure.....  
single function 0.12MPa (flow pressure) -0.5MPa (flow pressure)  
multi function 0.15MPa (flow pressure) -0.5MPa (flow pressure)
2. The temperature for water supply is 4~60°C. It is suggested to use the temperature below 60°C. Do not use steam to supply hot water.
3. The ambient temperature for use is 1~40°C. If the ambient temperature is lower than 0°C, the faucet will deform and crack from freezing.
4. To prevent internal spinkler damage, the water outlet temperature on the spinkler side shall not exceed 60°C, it is suggested to use a temperature below 45°C.
5. Being out of use for a long time may result in internal and external rust to the faucet and being unable to be used.
6. If you want to scrap this product, do not treat it as you do for general household garbage. Please follow relevant statutes to have it treated, recovered and collected appropriately by an independent recovery system.
7. The product in these instructions has a cleaning function.

## Attentions in construction

**⚠ Warning:** it means that ignoring this mark and misoperation may cause serious personal injury and death.

**⚠ Attention:** it means that ignoring this mark and misoperation may cause personal injury or property loss.

### ⚠ Warning

1. The hot water supply side of the faucet is in a condition of high temperature. Do not allow skin to contact with the hardware surface directly. Otherwise, scalding may occur.
2. Do not reverse cold\*hot water pipes. Otherwise, scalding may occur.
3. Do not use steam to supply hot water. Otherwise, scalding may occur.
4. The water temperature will change when switch from spout to shower or switch from shower to spout. The user should test it by hand. otherwise, scalding may occur.

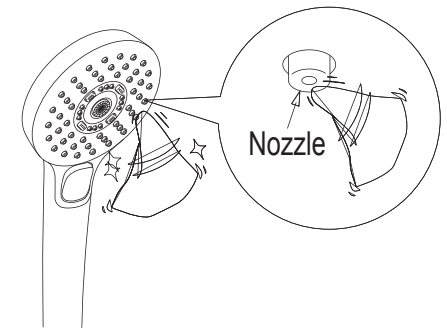
# Attentions in use and maintenance

## ⚠ Attentions

1. Do not impact the product. Otherwise, failure, water leakage may occur.
2. It is imperative to use a neutral detergent in cleaning. Other detergents than a neutral one may damage the plating coat or make the surface discolor.
3. Do not use any such detergent as acidic detergent and abstergent, polishing powder, etc. containing thick particles and nylon brush. Otherwise, the plating coat may be damaged, etc.
4. It is allowed to use a piece of soft cloth to wipe or use from time to time a piece of cloth immersed in machine oil or vehicle wax to wipe. However, do not contact with resin components. Otherwise, they may lose the gloss and become rusty.
5. It is suggested not to leave it unused for a long time. Otherwise, this may lead to internal and external rust to water nozzle to such a degree that it cannot be used any more, etc.
6. With the product design being updated constantly, the physical object may not coincide with the figure. However, the basic principle for installation, use is the same.

## Maintenance

- In case of mild dirt, use a piece of soft cloth dipped in water and wipe after wringing out.
- In case of severe dirt, use a piece of soft cloth dipped in a neutral cleaner to wipe and then wash with clear water sufficiently. Then use a piece of soft cloth to wipe dry.
- When the nozzle is blocked and the streamline is confused, use a piece of soft cloth dipped in warm water to wipe after wringing out. Take care not to damage the nozzle. If too much force is used in wiping, it is easy for the nozzle to get damaged and deformed. As a result, the streamlines are deformed.



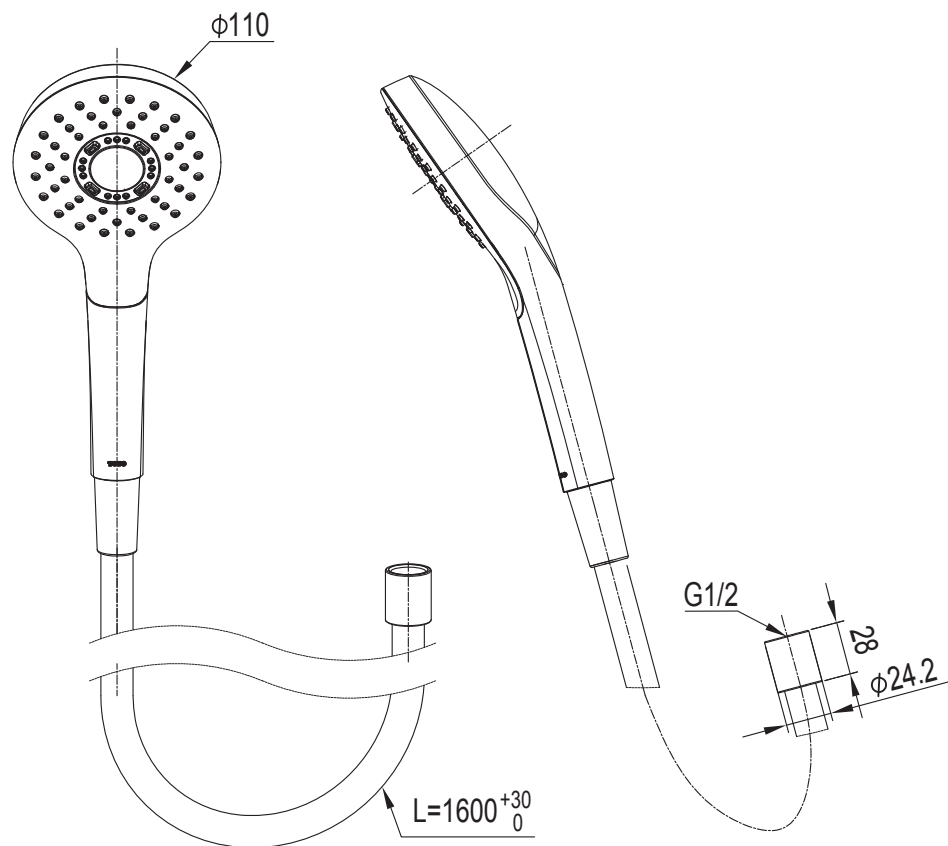
# Installation completion figure

TBW01008B2

"G Shower" 1mode Hand Shower Set  
(Standard Type)

TBW01010B2

"G Shower" 3mode Hand Shower Set  
(Standard Type)

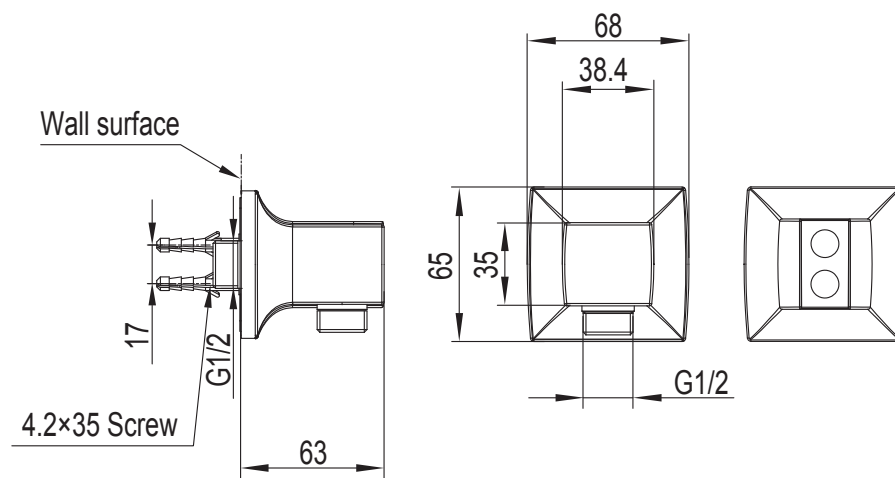


Note: The unit of the above dimensions is mm; the dimensions in ( ) are reference ones.

# Installation completion figure

TBW01031B

Shower holder



Note: The unit of the above dimensions is mm; the dimensions in ( ) are reference ones.

# Faucet installation

## Tools to prepared before



Seal tape



Screwdriver



Wrensh

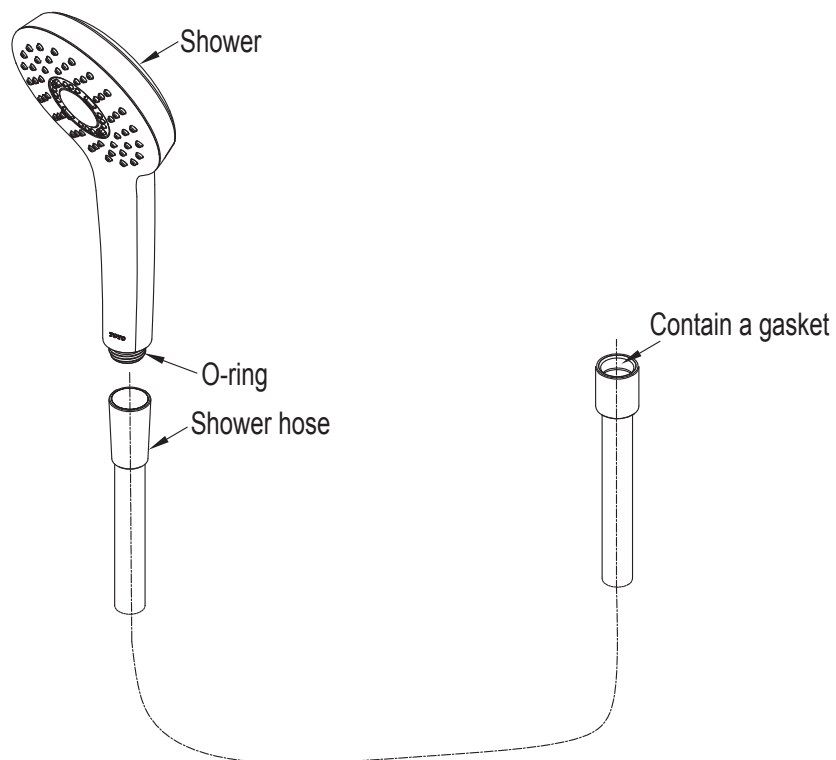


Hex bar wrench

## TBW01008B2 Installation

### Confirmation before installation

- Confirm that the water supply pipe is closed and the water circuit is cleaned before installation
- Read carefully the instructions for construction and conduct installation according to the main points for installation therein.
- Confirm that the components you see in the packing box are identical to that as shown in the figure below.



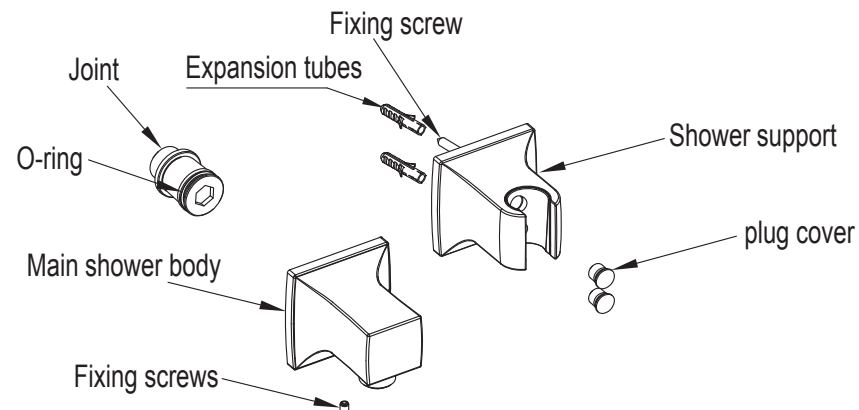
1. Connect both ends of the shower hose with the body screw threads and shower respectively

# Faucets installation

## TBW01031B Installation

### Confirmation before installation

- Confirm that the water supply pipe is closed and the water circuit is cleaned before installation
- Read carefully the instructions for construction and conduct installation according to the main points for installation therein.
- Confirm that the components you see in the packing box are identical to that as shown in the figure below.

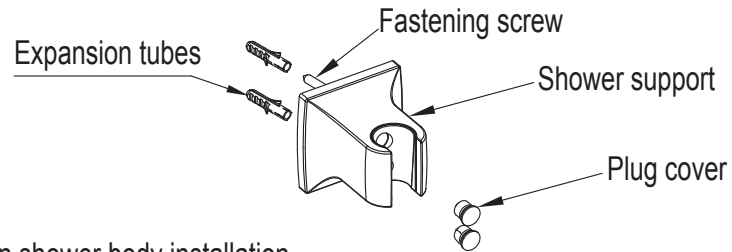


### 1. Shower support installation

- ① Cut two holes vertically on the wall against the dimension of the mounting hole on the shower support.
- ② Drive expansion tubes in the holes. Remove the rubber plug in the opening cavity of the shower support and install fastening screws in.
- ③ Put the shower support on the wall where holes were cut previously and then use fixing screws to secure it. (Pay attention to ensuring a right direction)
- ④ Install the rubber plug in the shower support.

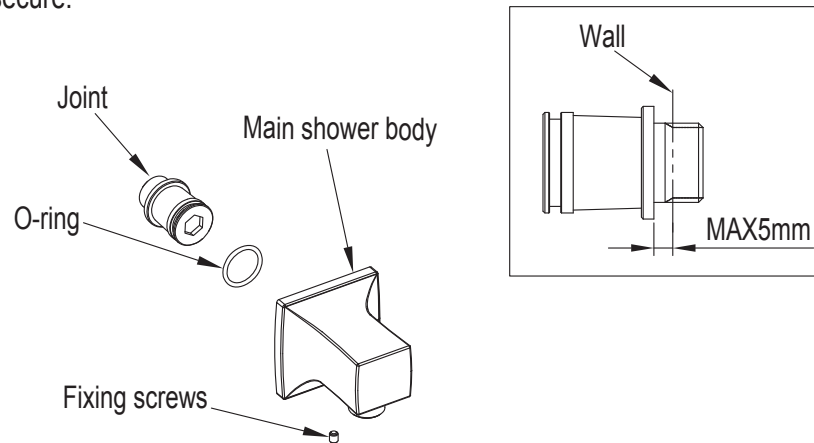
⚠ **Attentions: Before installation, be sure to confirm the position of the piping in the wall. Never damage the piping in drilling and result in water leakage.**

# Faucet installation



## 2. Main shower body installation

- ① Wind seal tape on the water inlet joint threads and then screw in the water supply connector.
- ② Install the main shower body onto the water inlet joint and then use screws to secure.



TOTO Asia Oceania Pte. Ltd.

Telephone:65-6744-6955

FAX: 65-6841-0819

Address: 10 Eunos Road 8 #12-07 Singapore Post Centre  
Singapore 408600

Website:asia.toto.com

TOTO KOREA LTD.

전화번호 : (02)-3141-8236

FAX 번호 : (02)-3141-8240

주소 : 서울시 마포구 상수동 351-16번지 로이코빌딩 3층

홈페이지 : <http://www.totokr.co.kr>