

TOTO

In-wall Sensor Urinal Flush Valve

DUE126UE (AC)
DUE126UK (DC)
DUE126UPE (AC)
DUE126UPK (DC)

DUE126UE
DUE126UK
DUE126UPE
DUE126UPK



DUE126UE
DUE126UK
(Stainless
steel panel)



DUE126UPE
DUE126UPK
(Resin panel)

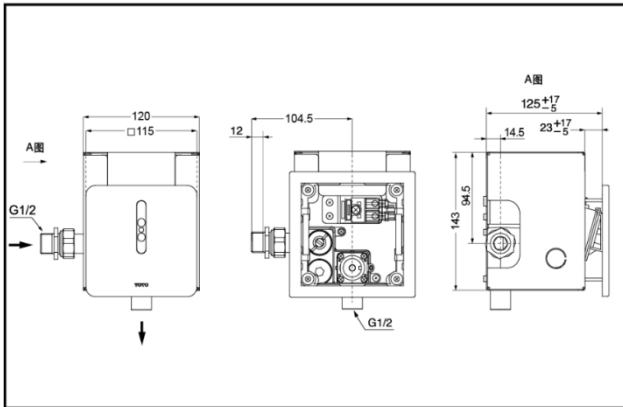


Reduce
The Water



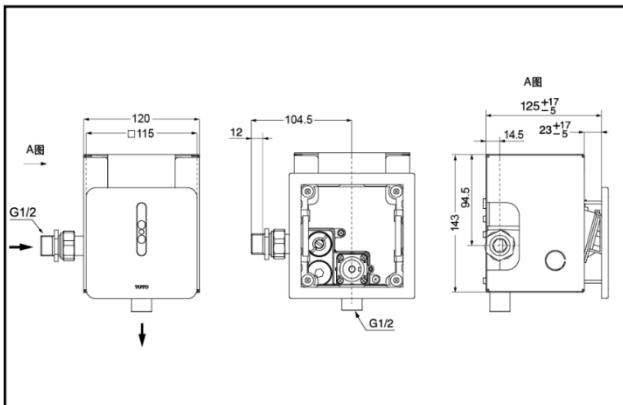
Auto
Functions

DUE126UE In-wall Sensor Urinal Flush Valve



TOTO(CHINA) CO.,LTD. All rights reserved.

DUE126UK In-wall Sensor Urinal Flush Valve



TOTO(CHINA) CO.,LTD. All rights reserved.
TOTO(CHINA) CO.,LTD. www.toto.com.cn

FEATURES

- Simple and elegant appearance with two kinds of panels available.
- Touchless sensing operation.
- AC and DC two types available.

SPECIFICS

Size :

DUE126UE/UK:115*115mm

DUE126UPE/UPK:130*130mm

Flush volume : 0.5L

Water efficiency grade :
Grade1

Sensing distance:

800mm away from the front of
inductive window

Environment temperature :
1~55℃

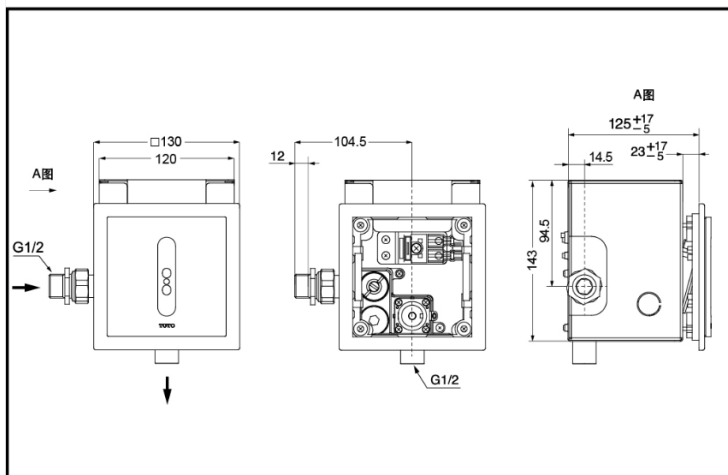
Water Inlet Requirement :
0.05MPa(Dynamic Pressure)~
0.75MPa(Static Pressure)

OTHERS

Recommend fittings :
UWN926 Series

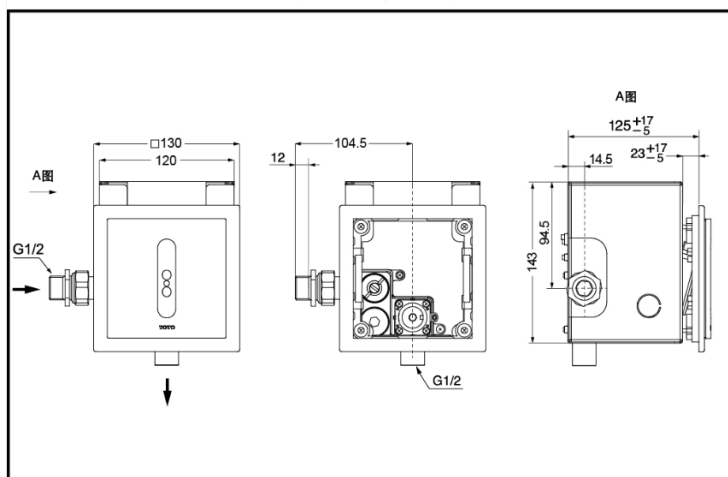
(Connect Page)

DUE126UPE | In-wall Sensor Urinal Flush Valve



TOTO(CHINA) CO.,LTD. All rights reserved.

DUE126UPK | In-wall Sensor Urinal Flush Valve



TOTO(CHINA) CO.,LTD. All rights reserved.