

TBG08202B



Comfort Water Saving
Wave

FEATURES

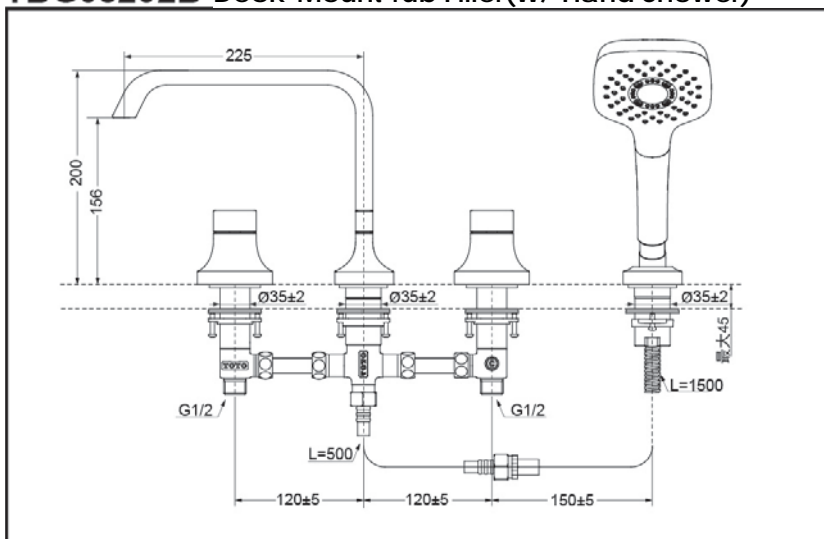
- Elegant appearance.
- Classical shape and wide water flow reveal elegant taste.
- Easy installation and usage.

SPECIFICS

Water Inlet Requirement :
0.05MPa(Dynamic Pressure)~1.0MPa(Static Pressure)

Water Efficiency :
Grade2(Hand Shower)

TBG08202B Deck-Mount Tub Filler(W/ Hand Shower)



*TOTO(CHINA) CO.,LTD. All rights reserved.

Others

Series : GC