

TBP02301B1 (On/Off Switch)

Univalve Box
TBN01001B



Comfort
Glide



Mini Unit

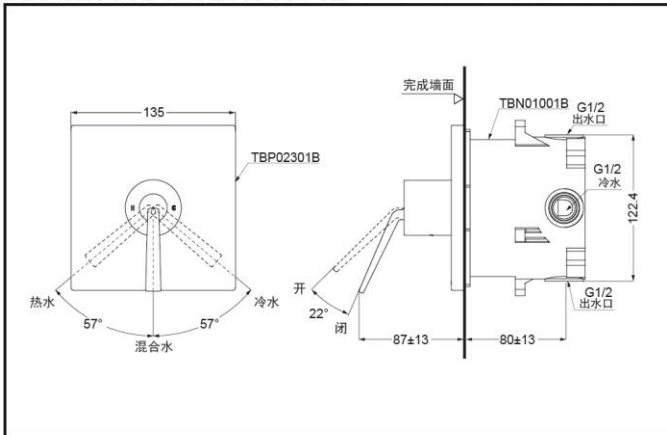
FEATURES

- Elegant appearance.
- Beautiful curves and wide flow reveal elegant taste.
- Easy installation and usage.

SPECIFICS

Water Inlet Requirement:
0.05MPa(Dynamic Pressure)~
1.0MPa(Static Pressure)

TBP02301B1+TBN01001B Wall-Mount Mixer Panel/Valve Cartridge +Univalve Box



*TOTO(CHINA) CO.,LTD. All rights reserved.

OTHERS

Series: ZL