

YH501FMRC#NW1
YH501FMRC#EL
YH501FMRC#MW



FEATURES

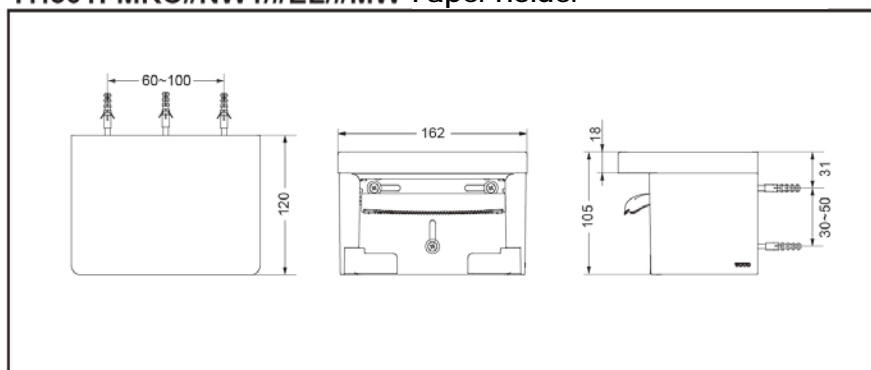
- Wooden platform, convenient for placing items.
- Easy to reload paper.

- ※#NW1 : White
- #EL : Shallow wooden-grain
- #MW : Wooden-grain

SPECIFICS

Size : 162x120x105mm

YH501FMRC#NW1/#EL/#MW Paper Holder



*TOTO(CHINA) CO.,LTD. All rights reserved.