

TBG02304B
(2-Way with Off)

Univalve Box
TBN01001B



Mini Unit

TBG02304B
TBN01001B

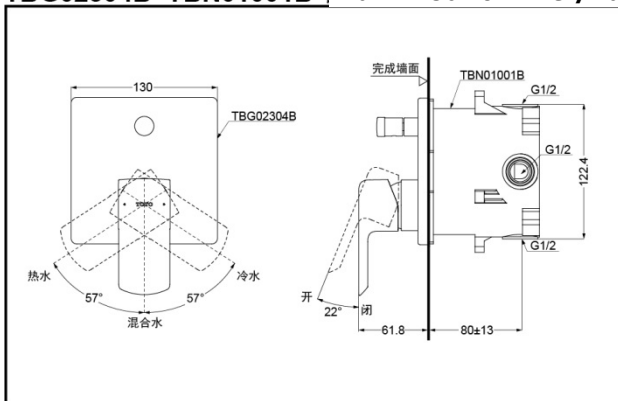
FEATURES

- Elegant appearance.
- Beautiful curves reveal elegant taste.
- Easy installation and usage.

SPECIFICS

Water Inlet Requirement :
0.05MPa(Dynamic
Pressure)~1.0MPa(Static
Pressure)

TBG02304B+TBN01001B Wall-Mount Mixer/Valve +Box



*TOTO(CHINA) CO.,LTD. All rights reserved.

Others

Series : GR
Recommend fittings :
G series Shower