

# TOTO

## NEOREST One-piece Toilet/Bidet(NEOREST DH1)

### NEOREST



Ewater+



Cefiontect Flush



Tornado Flush



Premist



Auto Flush



Water Saving



Heated Seat

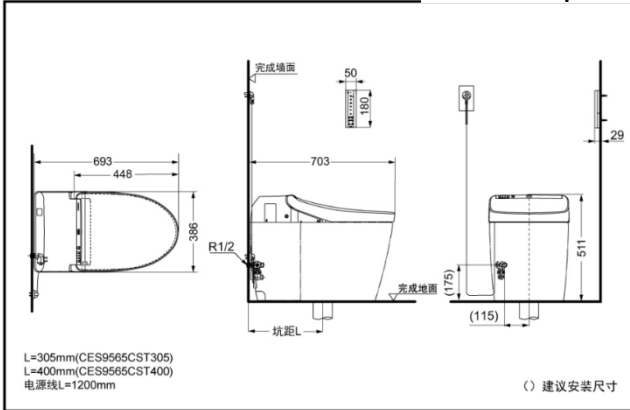


Deodorizer



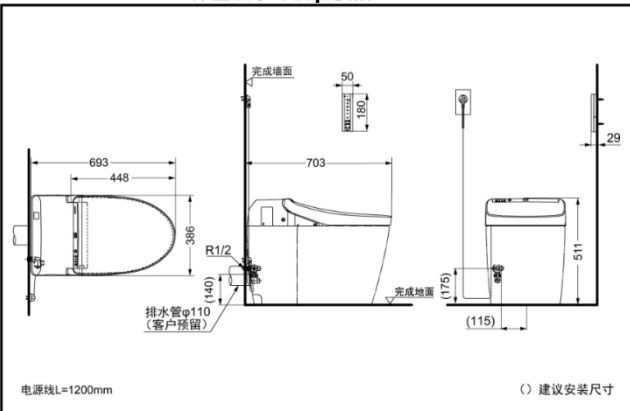
Warm Air Drying

### CES9565CST305/CES9565CST400 Smart one-piece Toilet



\*TOTO(CHINA) CO.,LTD. All rights reserved.

### CES9565PCS Smart one-piece Toilet



\*TOTO(CHINA) CO.,LTD. All rights reserved.

TOTO(CHINA) CO.,LTD. www.toto.com.cn

### CES9565CST305 CES9565CST400 CES9565PCS

Ceramic Part:

CS988T305-9565  
CS988T400-9565  
CS988P-9565

Functional Part:

TCF9565CS

### FEATURES

- Neorest smart toilet, elegant combination of simple & graceful.
- 3.8L hybrid flush, perfect, efficient and thorough.
- Ewater+ technology, One button lift for functional part and cleansing resin provide convenient cleanability.
- New capacitor remote control, invisible design for inlet valve and power failure operation make every detail considerate.

### SPECIFICS

Size: 386x693x511mm

Nominal water consumption:

CES9565CS: 3.3L

CES9565PCS: 3.9L

Flush volume:

CES9565CS: 3.0/3.8L

CES9565PCS: 3.4/4.8L

Water Efficiency : Grade1

Drainage mode :

CES9565CS : Underneath

CES9565PCS: Rear

Flush Type : Tornado Flush

Rough-in :

CES9565CST305 : 305mm

CES9565CST400 : 400mm

CES9565PCS H=140mm

Water Inlet Requirement :

0.05MPa(Dynamic Pressure)~0.75MPa(Static Pressure)

Power Source : 220V(50Hz)

Power : 820W(Max1428W)