

TBW03001B  
( 5 Modes )



### FEATURES

- Elegant appearance.
- Beautiful curves reveal elegant taste.
- Easy installation and usage.

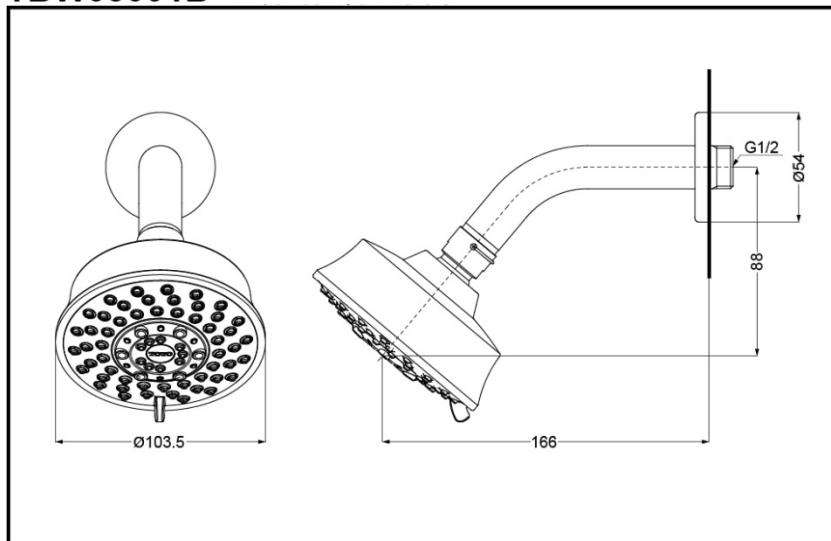
### SPECIFICS

Size:  $\phi 103.5\text{mm}$

Water Inlet Requirement :  
0.05MPa(Dynamic  
Pressure)~0.75MPa(Static  
Pressure)

Water Efficiency : Grade2

### TBW03001B Wall-Mount Shower Head



\*TOTO(CHINA) CO.,LTD. All rights reserved.

### Others

Series : L

Recommend fittings :  
L series Shower