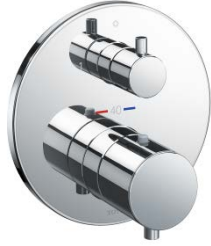


TBV01408B  
(2-Way with Off)

Univalve Box  
TBN01001B



Safety  
Thermo



Mini Unit

TBV01408B  
TBN01001B

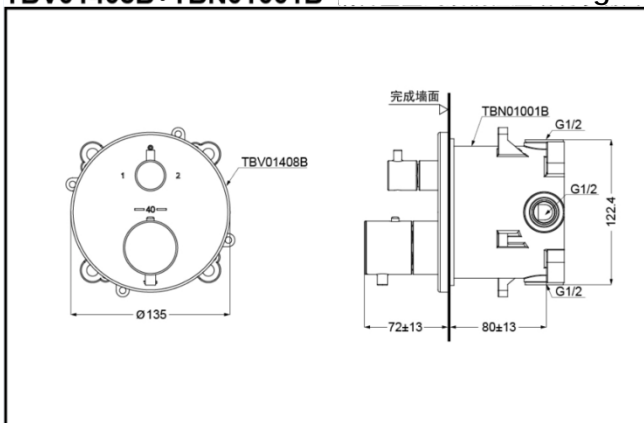
### FEATURES

- Elegant appearance.
- Beautiful curves reveal elegant taste.
- Easy installation and usage.

### SPECIFICS

Water Inlet Requirement :  
0.05MPa(Dynamic  
Pressure)~1.0MPa(Static  
Pressure)

Thermostatic Wall-Mount Mixer  
TBV01408B+TBN01001B Panel/Valve Cartridge+Box



\*TOTO(CHINA) CO.,LTD. All rights reserved.

### Others

Series : G  
Recommend fittings :  
G series Shower