

TBN01001B

TBN01001B



Mini Unit

### FEATURES

- Easy installation and usage.

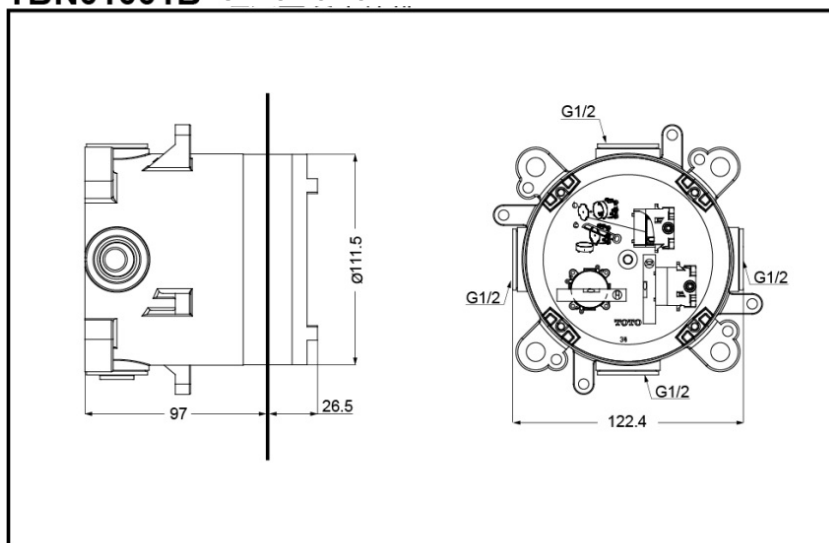
### SPECIFICS

Water Inlet Requirement :  
0.05MPa(Dynamic  
Pressure)~1MPa(Static  
Pressure)

### Others

Recommend fittings :  
Refer to mixer drawings

### TBN01001B Univalve Box



\*TOTO(CHINA) CO.,LTD. All rights reserved.