

DP407



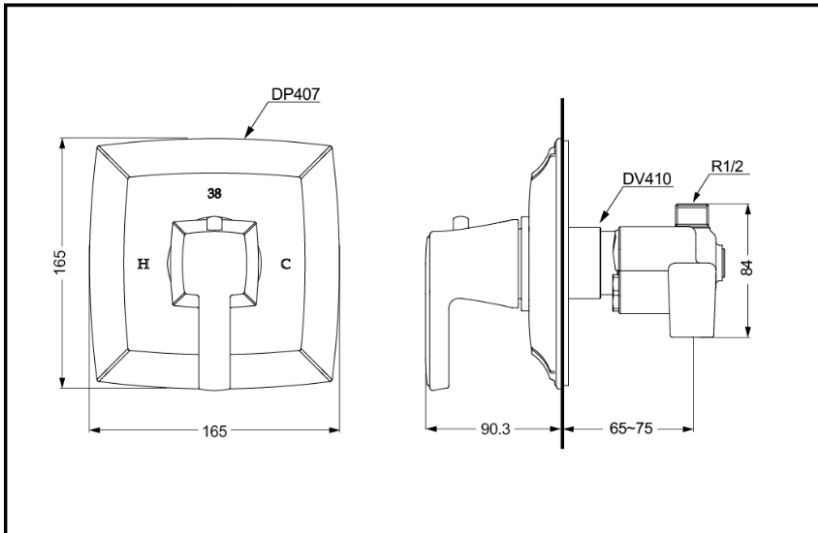
FEATURES

- Connolly series, elegant appearance.
- Graceful curves reveal elegant quality.
- Easy installation and operation.

SPECIFICS

Water Inlet Requirement :
0.05MPa(Dynamic Pressure)~
0.75MPa(Static Pressure)

DP407+DV410 Wall-Mount Thermostatic Mixer



TOTO(CHINA) CO.,LTD. All rights reserved.

OTHERS

Series: CONNELLY
Recommend fittings :
DV410