

DP360/DV105-1



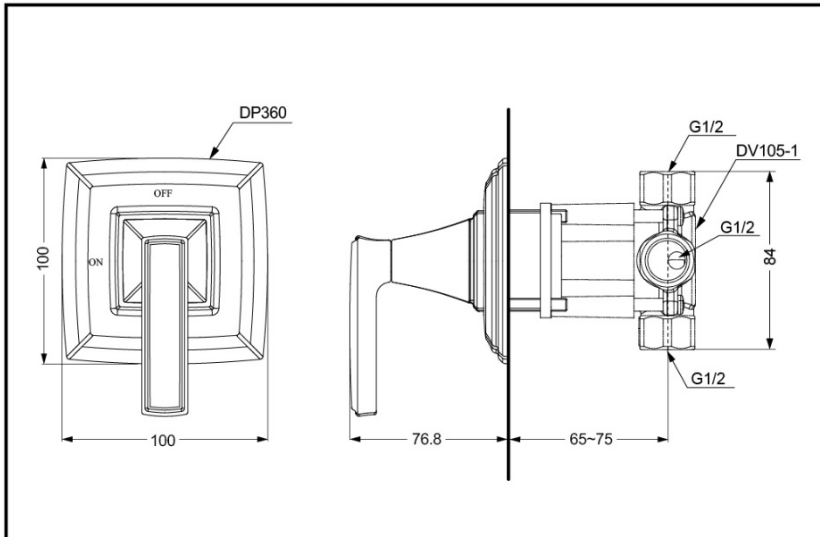
FEATURES

- Connolly series, elegant appearance with graceful curves.
- Easy installation and operation.

SPECIFICS

Water Inlet Requirement :
0.05MPa(Dynamic Pressure)~
1MPa(Static Pressure)

DP360+DV105-1 Wall-Mount Diverter Panel(1-way)+ Valve



TOTO(CHINA) CO.,LTD. All rights reserved.

OTHERS

Series: CONNELLY