

DP359



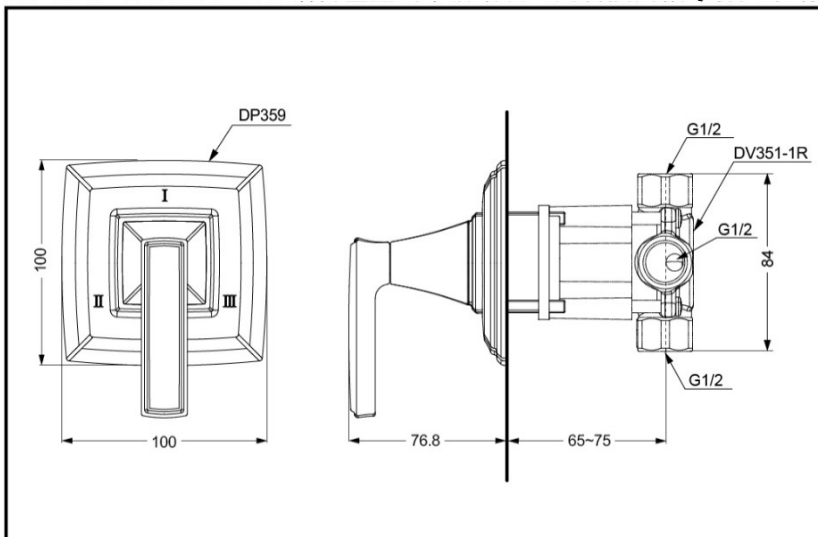
### FEATURES

- Connolly series, elegant appearance with graceful curves.
- Easy installation and operation.

### SPECIFICS

Water Inlet Requirement :  
0.05MPa(Dynamic Pressure)~  
1MPa(Static Pressure)

### DP359+DV351-1R Wall-Mount Diverter Panel(3-way)



\* TOTO(CHINA) CO.,LTD. All rights reserved.

### OTHERS

Series: CONNELLY  
Recommend fittings :  
DV351-1R