

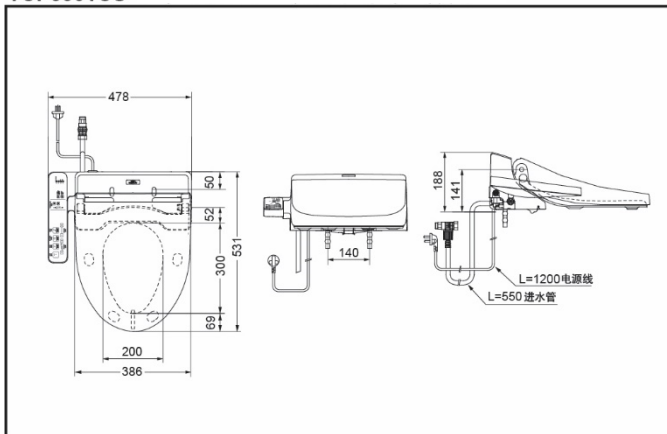
TOTO

Washlet

TCF6631CS(With drying and deodorization)
TCF6601CS(Without drying and deodorization)



TCF6631CS
TCF6601CS Washlet



*TOTO公司保留对其产品规格和尺寸更改的权利。届时，恕不另行通知。

TCF6631CS TCF6601CS

FEATURES

- Separate water channel designed with one spray pipe containing three water outlets respectively providing rear cleansing, front cleansing and soft rear cleansing, secure and sanitary for use.
- Spraying water on the surface after your seating, make the surface wet, and prevent dirt attached.
- Warm seat controlled by the computer makes you feel warm in the winter, and the temperature can also be adjusted.
- Warm air drying and deodorization (TCF6631CS exclusively)
- Before and after use, the nozzle will perform a strict self cleaning to ensure safer use.

SPECIFICS

Size: 531*478*188mm

Water Efficiency: Grade3

Water supply:

0.05MPa(dynamic pressure)~
0.75MPa(static pressure)

Power: 220V(50Hz)

Rated power: 275W(TCF6631CS)
256W(TCF6601CS)

Tank volumn: 0.64L

Control : control panel

*TOTO(CHINA) CO.,LTD. All rights reserved.

TOTO(CHINA) CO.,LTD. www.toto.com.cn