

TCF6531CS

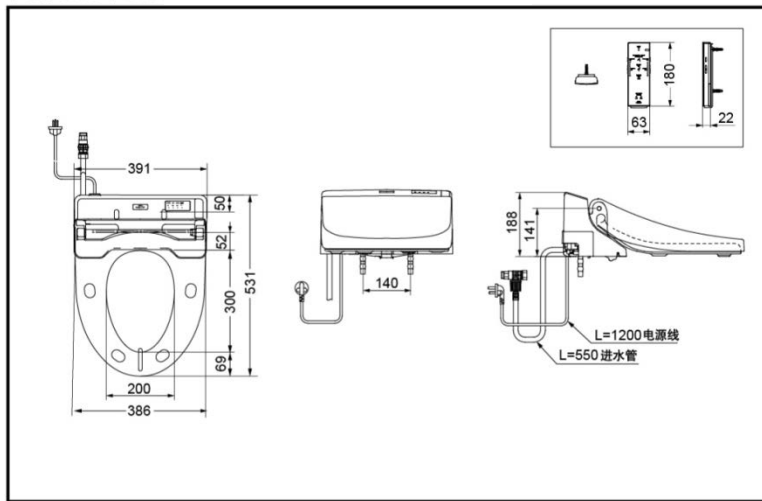


Washlet

FEATURES

- Separate water channel designed with one spray pipe containing three water outlets respectively providing rear cleansing, front cleansing and soft rear cleansing, secure and sanitary for use.
- Spraying water on the surface after your seating, make the surface wet, and prevent dirt attached.
- Warm seat controlled by the computer makes you feel warm in the winter, and the temperature can also be adjusted.
- Before and after use, the nozzle will perform a strict self cleaning to ensure safer use.
- Intelligent power saving function, minimizing power consumption, make energy conservation and environmental protection.
- According to your preference set up the special personal function, to meet different people's demands.

TCF6531CS Washlet



*TOTO(CHINA) CO.,LTD. All rights reserved.

SPECIFICS

Size:531*391*188mm

Water supply:

0.05MPa(dynamic pressure)~
0.75MPa(static pressure)

Power: 220V(50Hz)

Rated power:275W

Tank volumn:0.64L

Control : remote control