

DUE113UK (DC)
DUE113UE (AC)

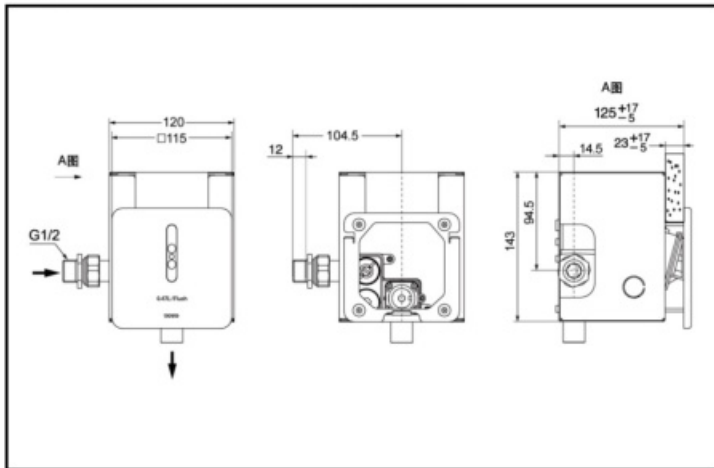


Reduce
water

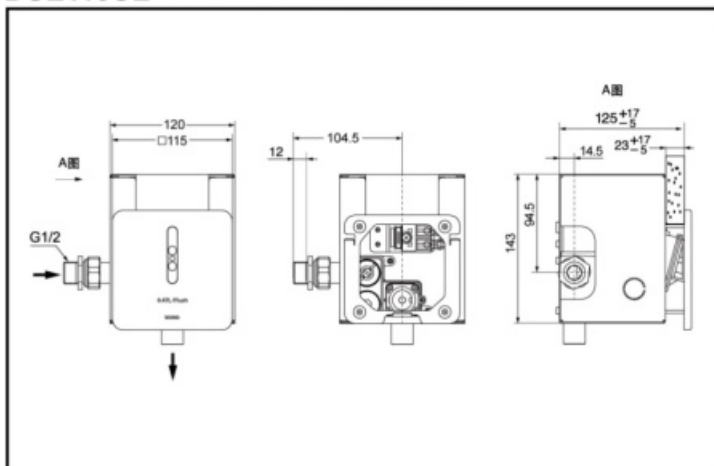


Auto
Functions

DUE113UK In-wall Sensor Urinal Flush Valve



DUE113UE In-wall Sensor Urinal Flush Valve



*TOTO(CHINA) CO.,LTD. All rights reserved.

FEATURES

- In-wall resin panels.
- Touchless sensing operation.
- AC and DC two types available.

SPECIFICS

Size: 115*115mm

Water Supply:

0.1MPa(dynamic pressure) ~

0.75MPa(static pressure)

Environment Temperature:

0~55°C

Flush Volume: 0.3~0.47L

Water efficiency grade :

Grade 1

Power: DUE113UK (DC)

DUE113UE (AC)

Sensing Distance:

Within 800mm in front of the sensor