

DL227-1E



Reduce
The Water



Aerial

FEATURES

- RENESSE series faucet.
- Electroplating surface with precise processing technology creates unique mirror effect.
- Simple and clean handles are very easy to use.
- Bubbled water will flow in a beautiful curve without a splash.
- Unique aerial technology offers a comfortable experience with smooth water flow which maintains the strength while keeps soft touch with a low consumption.
- Endurable ceramic valve cartridge.

SPECIFICS

Water supply:

0.05MPa(dynamic pressure)
~0.75MPa(static pressure)

OTHERS

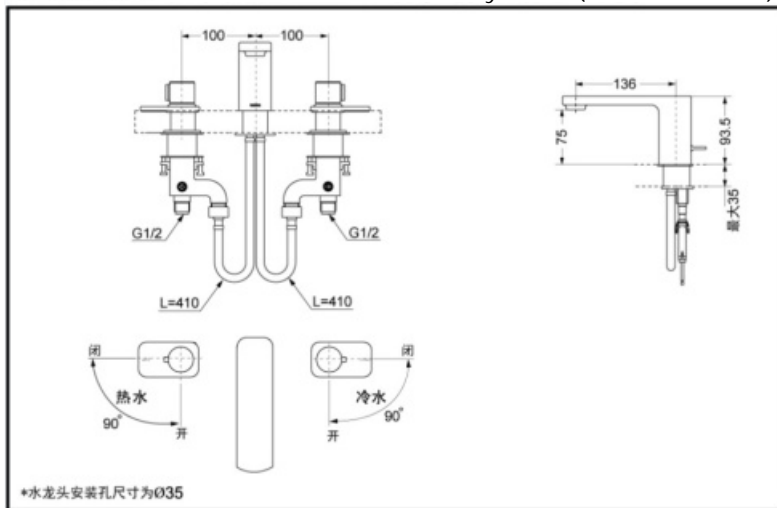
Series: RENESSE series

Recommend fittings:

matching lavatories:

LW170B/LW172B

DL227-1E 8-in Two-Handle Lavatory Mixer(Renesse series)



*TOTO(CHINA) CO.,LTD. All rights reserved.