

DBX135CA

DBX135-1CA



Reduce  
The Water

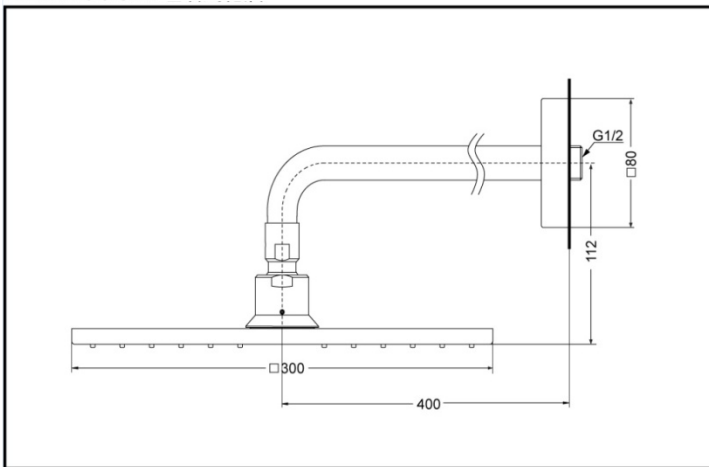


Aerial  
Pulse

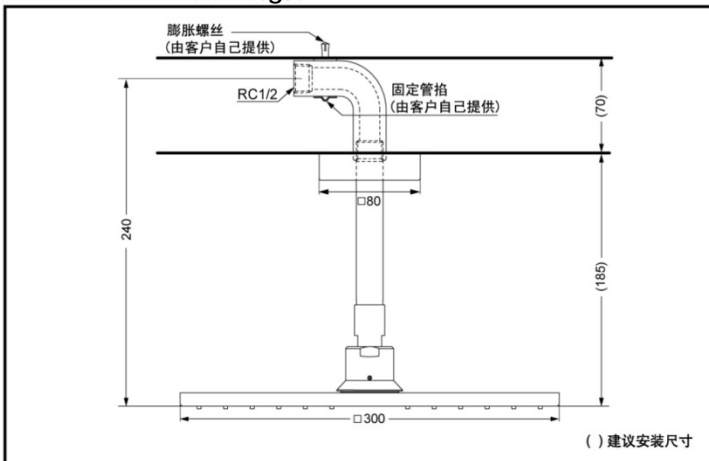
### FEATURES

- Elegant and graceful new design shape creates a clean and tidy bathing environment.
- Easy use with flexible and comfortable operating feeling.
- Unique aerial technology offers a comfortable experience with smooth water flow which maintains the strength while keeps soft touch with a low consumption.

**DBX135CA** Wall-Mounted Shower



**DBX135-1CA** Ceiling-Mounted Shower



### SPECIFICS

Size:  $\Phi 300\text{mm}$

Water supply:

0.05MPa(dynamic pressure) ~  
0.75MPa(static pressure)