

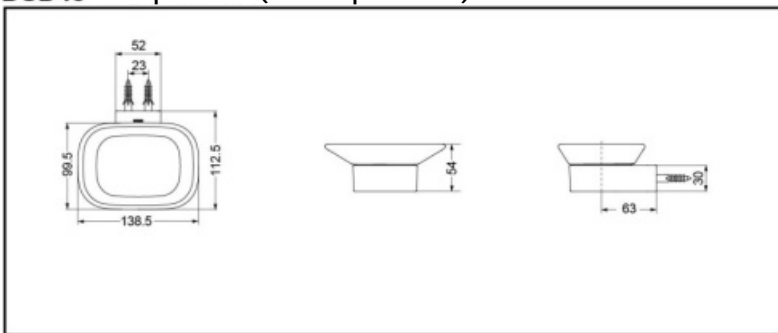
DSD43



FEATURES

- Elegant design.
- Easy to use and install.

DSD43 Soap Holder (Urbanique Series)



*TOTO(CHINA) CO.,LTD. All rights reserved.

SPECIFICS

Size: 139*113*54mm

OTHERS

Series: Urbanique Series