

DP354(chromium)/  
DP354#PG(gold)  
DV105R(on/off switch)

DP355(chromium)/  
DP355#PG(gold)  
DV104(2 spray switch/ on/ off switch)

DP356(chromium)/  
DP356#PG(gold)  
DV351(3 spray switch)

DP357(chromium)/  
DP357#PG(gold)  
DV357(2 spray switch)



DP354/DP354#PG  
DV105R

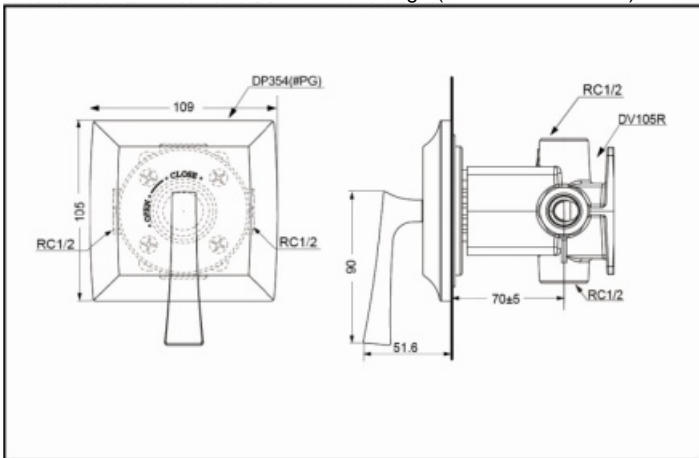
DP355/DP355#PG  
DV104

DP356/DP356#PG  
DV351

DP357/DP357#PG  
DV357

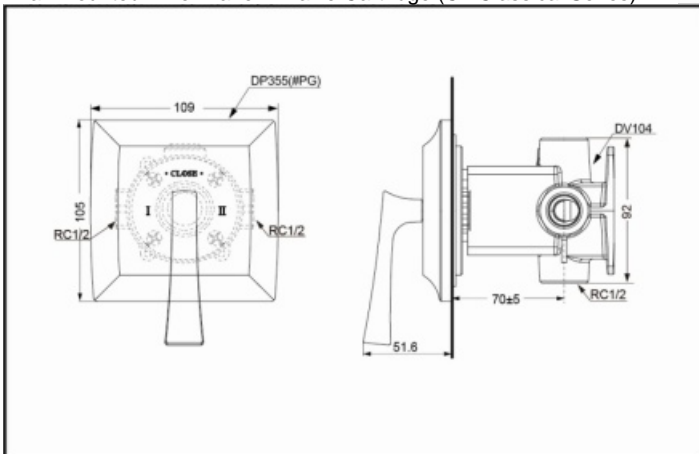
### DP354(#PG)+DV105R

Wall-Mounted Mixer Panel + Valve Cartridge (CII Classical Series)



### DP355(#PG)+DV104

Wall-Mounted Mixer Panel + Valve Cartridge (CII Classical Series)



## FEATURES

- Simple surfaces harmonize well with the complex shape.
- Smooth curves and profiles make a sensitive and graceful classical feel.

## SPECIFICS

Water Supply:

0.05MPa(dynamic pressure)

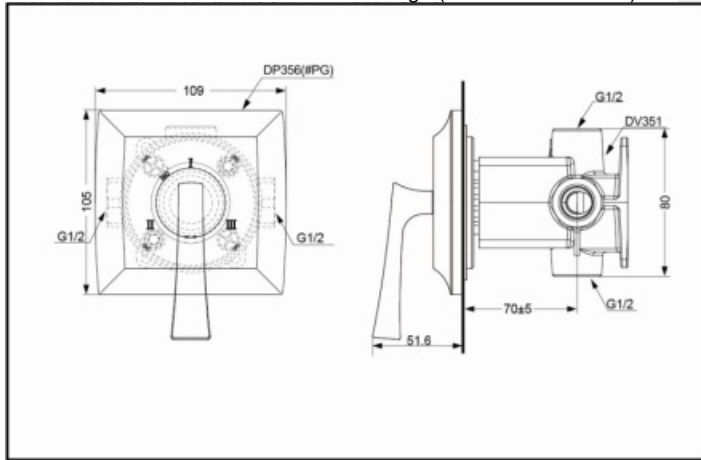
~0.75MPa(static pressure)

## OTHERS

Series: CII Classical Series

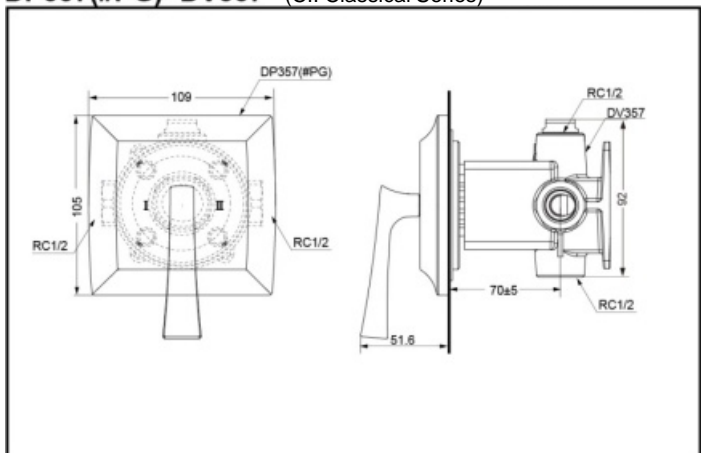
### DP356(#PG)+DV351

Wall-Mounted Mixer Panel + Valve Cartridge (CII Classical Series)



Wall-Mounted Mixer Panel + Valve Cartridge  
(CII Classical Series)

### DP357(#PG)+DV357



\*TOTO(CHINA) CO.,LTD. All rights reserved.