

TOTO

Two-Hole Single-Handle Lavatory Mixer

DL369

DL369-1
semi-recessed

DL369-2R
vessel

DL369
DL369-1
DL369-2R
w/ Drainage Fittings

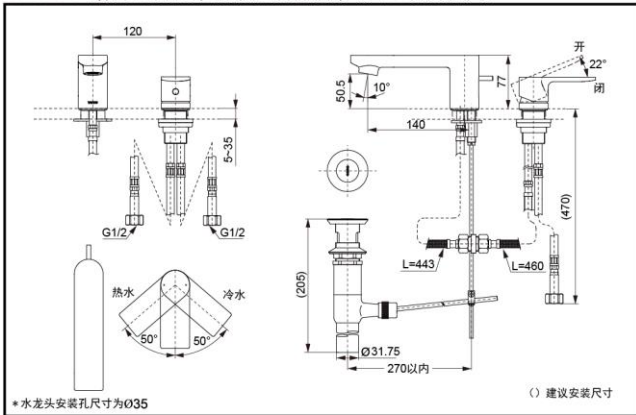


Reduce
The Water

FEATURES

- Simple clean design with vertical and horizontal lines.
- Harmonized with the room of floor, wall and ceiling
- Separating spout and handle can fit different space design.
- Unique aerial technology offers a comfortable experience with smooth water flow which maintains the strength while keeps soft touch with a low consumption.

DL369 Two-Hole Single-Handle Lavatory Mixer (CI Contemporary Series)

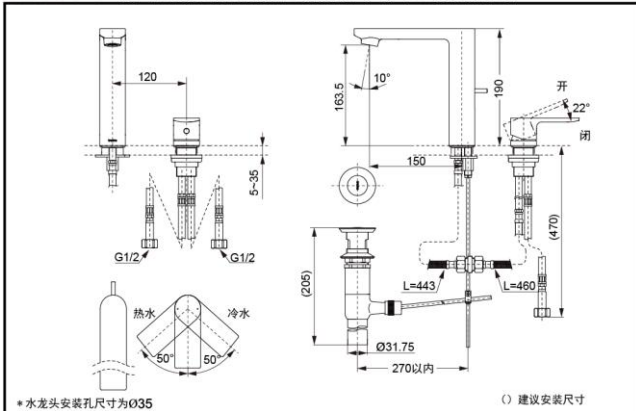


* 水龙头安装孔尺寸为Ø35

() 建议安装尺寸

* TOTO公司保留对其产品规格和尺寸更改的权利。届时，恕不另行通知。

DL369-1 Two-Hole Single-Handle Lavatory Mixer (CI Contemporary Series)



* 水龙头安装孔尺寸为Ø35

() 建议安装尺寸

* TOTO公司保留对其产品规格和尺寸更改的权利。届时，恕不另行通知。

* TOTO(CHINA) CO.,LTD. All rights reserved.

SPECIFICS

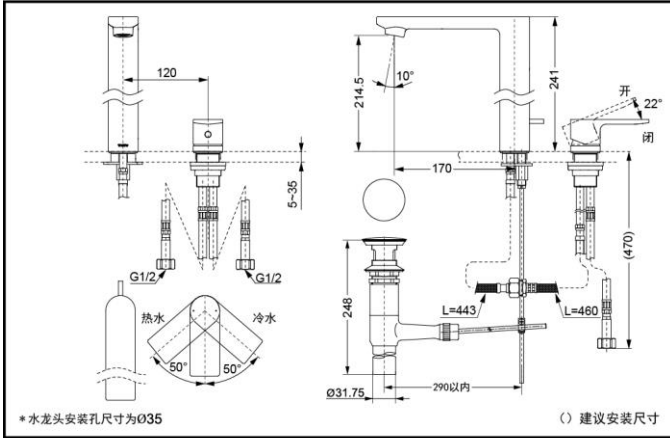
Water Supply:

0.05MPa(dynamic pressure)~
0.75MPa(static pressure)

OTHERS

Series: CI Contemporary Series

DL369-2R Two-Hole Single-Handle Lavatory Mixer (CI Contemporary Series)



*TOTO公司保留对其产品规格和尺寸更改的权利。届时，恕不另行通知。

*TOTO(CHINA) CO.,LTD. All rights reserved.