

DBX118CAF(chromium)
DBX118CAF#PG(gold)



Reduce
The Water

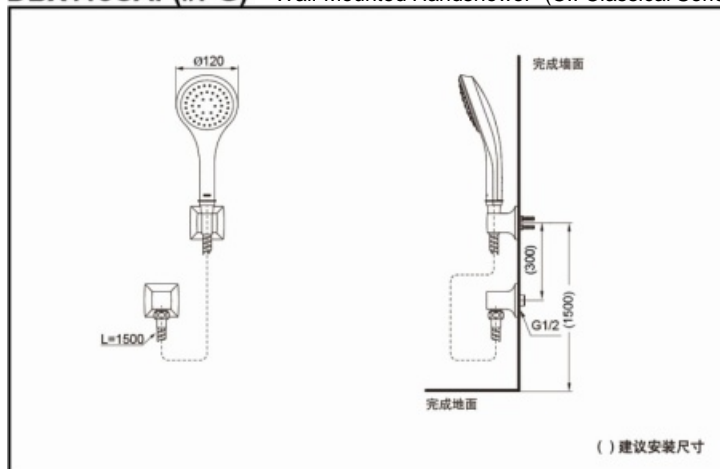


Aerial
Handshower

FEATURES

- Simple surfaces harmonize well with the complex shape.
- Elegant curves create the shower body.
- Aerial handshower makes bathing more comfortable with less water consumption.

DBX118CAF(#PG) Wall-Mounted Handshower (CII Classical Series)



*TOTO(CHINA) CO.,LTD. All rights reserved.

SPECIFICS

Size: $\Phi 120\text{mm}$

Water Supply:

0.05MPa(dynamic pressure)

~0.75MPa(static pressure)

OTHERS

Series: CII Classical Series