

DUE111UHG



Reduce  
The Water



Ecopower

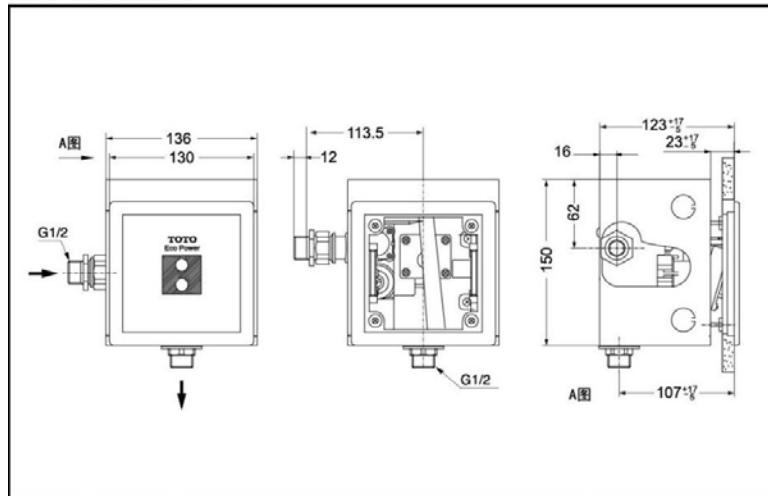


Auto  
Functions

### FEATURES

- Tempered glass cover.
- Clean, elegant design.
- Automatic infrared sensor
- Ecopower self-generating system , easy to install.
- Water use: 0.47L.

### DUE111UHG HEU Sensor Urinal Flush Valve



\*TOTO(CHINA) CO.,LTD. All rights reserved.

### SPECIFICS

Size: 136\*100\*150mm

Flush Volume: 0.47L

Water efficiency grade :  
Grade 1

Water Requirement:  
0.1MPa for dynamic pressure~  
0.75MPa for static pressure

Environment Temperature:  
1~40°C

Power:  
Hydraulic power generation

Sensing Distance:  
Less than 800mm away from  
the face of the sensor