

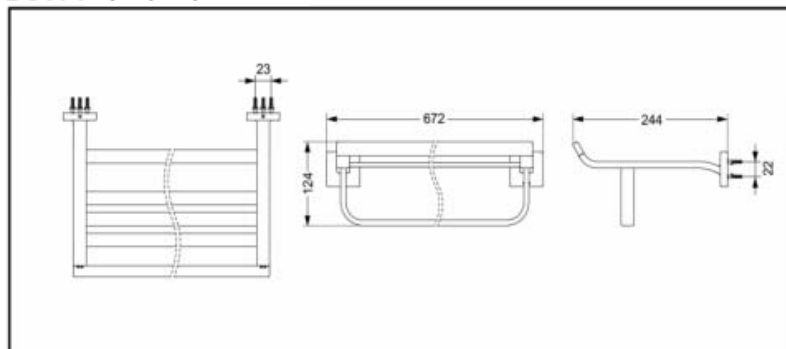
TOTO

Towel Rail

DST71
DST71#PG



DST71 Towel Rail



*TOTO(CHINA) CO.,LTD. All rights reserved.

DST71
DST71#PG

FEATURES

- Generous design
- Mounting hardware for both drywall & tile included.
- Perfect for making the end result as good looking as it is beautiful

SPECIFICS

Size : 672*244*124mm

OTHERS

Series : ESQUNALE