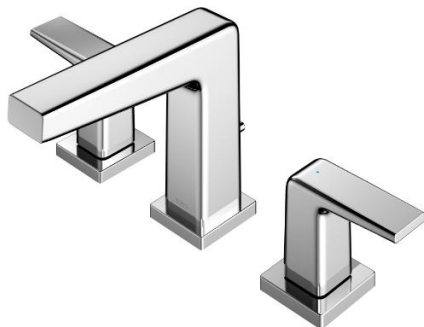


TLG10201BA
(W/ pop-up waste)



Water Saving

FEATURES

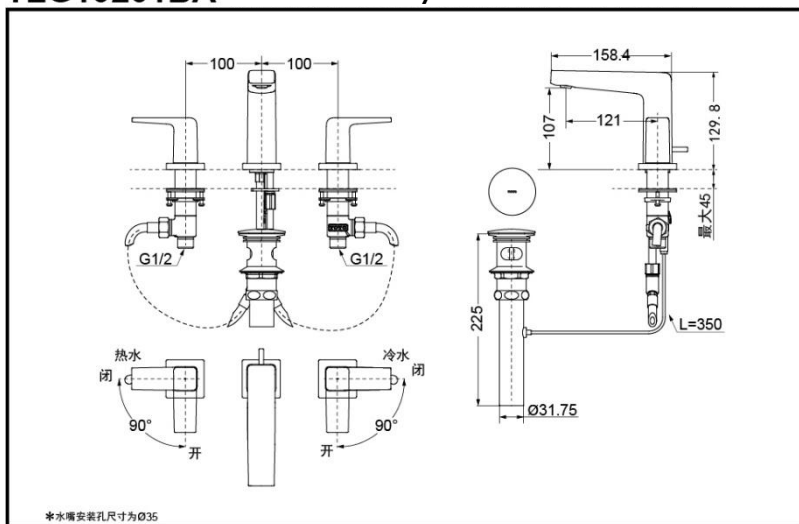
- Elegant appearance.
- Beautiful curves reveal elegant taste.
- Easy installation and usage.
- Unique aerial technology , smooth and moderate flow presents more comfort experience and saves water as well.

SPECIFICS

Water Inlet Requirement:
0.05MPa(Dynamic Pressure)~1.0MPa(Static Pressure)

Water Efficiency: Grade1
Spout: Bubbler equipped

TLG10201BA 3 Holes Lavatory Faucet



*TOTO(CHINA) CO.,LTD. All rights reserved.

Others

Series: GB