

TBG03304BR
(On/Off Switch)

Univalve Box
TBN01001B



Mini Unit

FEATURES

- Elegant appearance.
- Beautiful curves reveal elegant taste.
- Easy installation and usage.

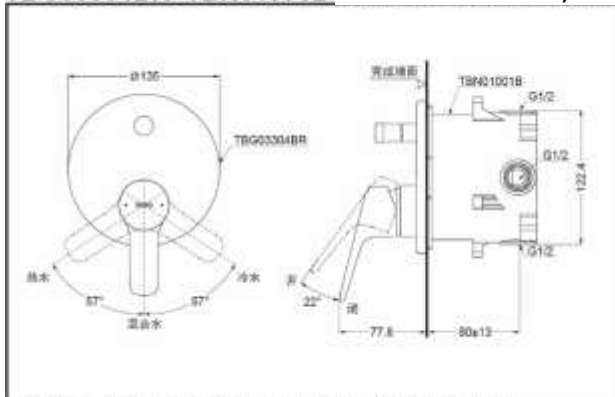
SPECIFICS

Water Inlet Requirement :
0.05MPa(Dynamic
Pressure)~1.0MPa(Static
Pressure)

Others

Series : GS
Recommend fittings :
GS series Shower

TBG03304BR+TBN01001B Wall-Mount Mixer/Valve



*TOTO(CHINA) CO.,LTD. All rights reserved.