

PAY1517LP



### FEATURES

- Simple linear appearance, streamlined back design, simplicity and fashionable.
- Right or Left side apron with, easy to install.
- Step design, parents and children can bath together.
- The apron is equipped with towel rack and storage function to improve the bath enjoyment.
- The edge of the bathtub is stable, safety to use.

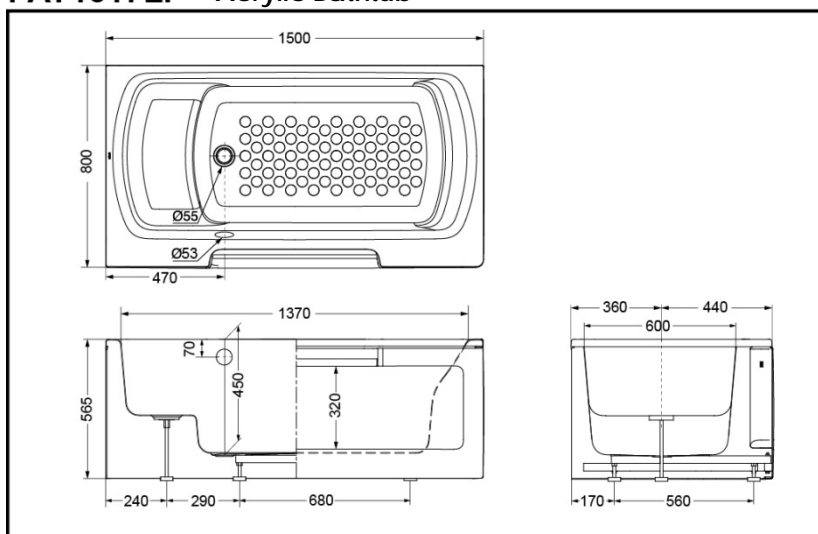
### SPECIFICS

Size: 1500x800x565mm

Capacity: 220L

Net Weight: 56KG

### PAY1517LP Acrylic Bathtub



TOTO(CHINA) CO.,LTD. All rights reserved.

TOTO(CHINA) CO.,LTD. [www.toto.com.cn](http://www.toto.com.cn)

### Others

#### Recommend fittings :

Push-button drainage fitting  
TBV03427B+TBW02006B;  
DB505R-2B (only)