

TOTO

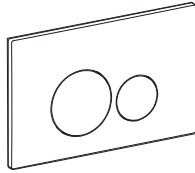
手动隐藏式水箱工作面板安装说明书

INSTALLATION INSTRUCTION FOR MANUALACTUATOR PLATE

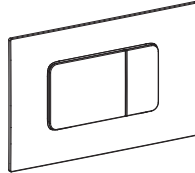
执行标准：GB/T 26730-2011

STANDARDS: GB/T 26730-2011

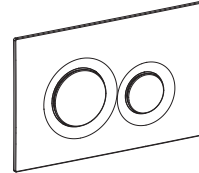
适用产品 Applied to product



产品型号：MB176G
Product Models: MB176G

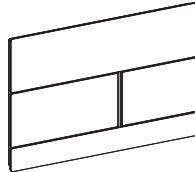


产品型号：MB170P
Product Models: MB170P

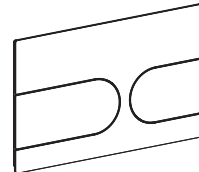


产品型号：MB174P
Product Models: MB174P

按钮面板规格：242*160MM
The specification of button panel is 242*160MM



产品型号：MB171M
Product Models: MB171M



产品型号：MB175M
Product Models: MB175M

按钮面板规格：243*159MM
The specification of button panel is 243*159MM

注意事项 Cautions

⚠ 提示：表示如果无视此标志而错误理解、操作时可能发生误解、危害人体及损坏物品的事件。

⚠ Remind: If there is no sign of this ,it will lead to faulty understanding、misunderstanding occurred during operation、incidents of harming the human body or damaging goods.

⚠ 注：安装按钮面板前要确认瓷砖面及座厕已安装完成。

⚠ Note: Please confirm tiles and toilet bowl have been finished installation before installing the button panel

请将说明书保留备用

Please keep the instruction manual for later use

* 东陶（中国）有限公司
售后服务全国免费电话：800-820-9787
手机用户：400-820-9787

TOTO (CHINA) CO., LTD.
After Service Free Tel: 800-820-9787
Mobile telephone:400-820-9787

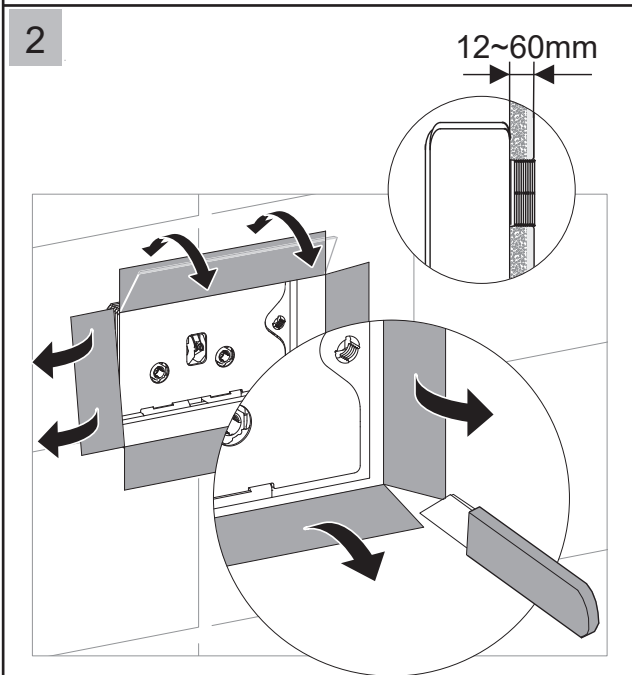
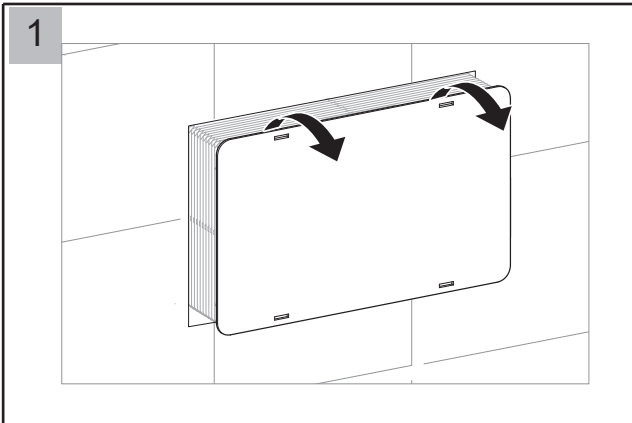
* 制造商：厦门和利多卫浴科技有限公司
地址：厦门海沧区霞飞东路2号

CONSTRUCTOR: VORETO (XIAMEN) PLUMBING TECHNOLOGY CO.,LTD.
Add: No.2, Xiafei East Road, Haicang District, Xiamen

TOTO

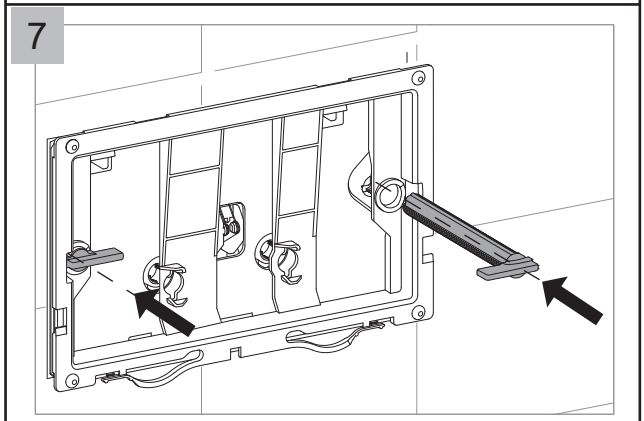
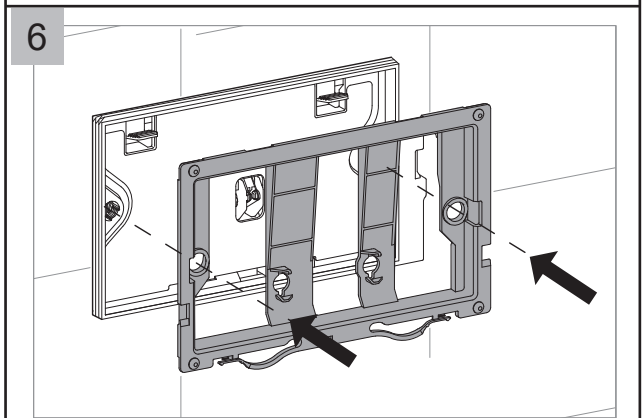
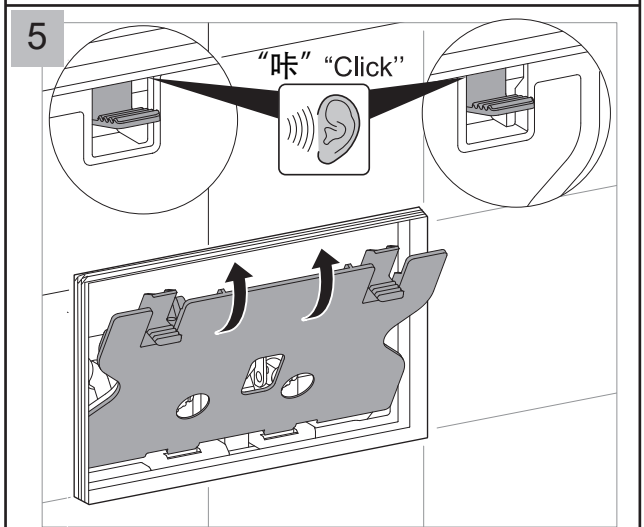
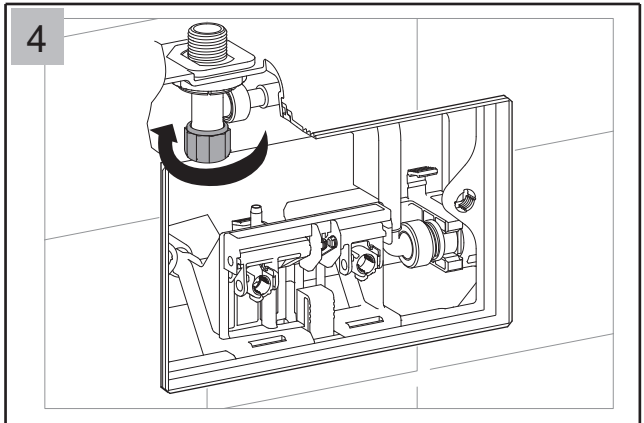
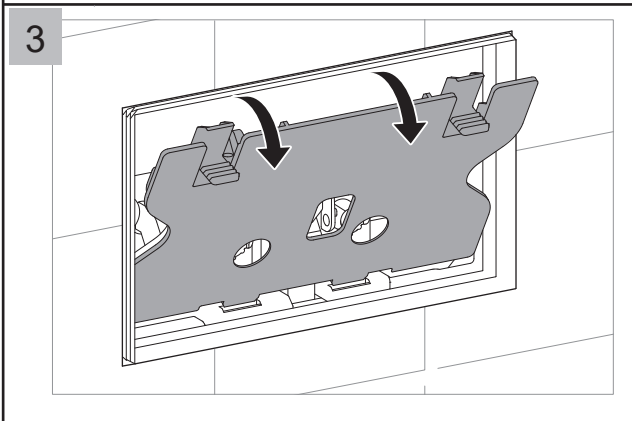
手动隐藏式水箱工作面板安装说明书

INSTALLATION INSTRUCTION FOR MANUALACTUATOR PLATE



切割后的保护框如果超过了墙壁表面，
导致面板没办法正确安装，可能会发
生破损以及造成受伤的情况。

If the cut protective cover protrudes out of the wall,
it could mean that the push plate has not been
installed correctly which can cause potential damage
and injuries.



TOTO

手动隐藏式水箱工作面板安装说明书

INSTALLATION INSTRUCTION FOR MANUALACTUATOR PLATE

8

“咔” “Click”

! 0 ✓ >0 X <0 X !

面板支架和墙壁没有接触的话，面板就没办法正确安装，可能会造成破损以及操作时手指被夹住受伤。

If the bracket does not come into contact with the wall surface, it could mean that the push plate has not been installed correctly which can cause potential damage to the push plate and injuries to the user if their fingers get caught in between when in use.

9

调节杆长度请根据墙体厚度裁切，并如上图示正确安装!

The length of the adjusting rod should be cut according to the thickness of the wall and installed correctly as shown in the figure above.

10

“咔” “Click”

11

“咔” “Click”

1 2 3

12

“咔” “Click”