

TOTO

施工说明书 Instructions for construction

安装产品前请仔细阅读本施工说明书，并保留备用。
Before product installation, read these instructions for
construction carefully and retain it for future reference.

TOTO

**OG3601YIB1
2020.10**

目录

目 录

目 录	1
明细单	2
使用条件与施工上的注意	3
施工上的注意和保养	4
安装完成图	5-6
水嘴的安装	7-9
生产厂家与销售商	10

明细单

明细单

水嘴主体	1套
主体支撑部	2套
花 洒 部	1套
埋入主体部	1套
开闭工具	1个
六角扳手	1个
螺 钉	4个
膨胀螺栓	8个
施工说明书	1本
使用说明书	1本

使用此明细单的产品包括：

DM209ACF 铜合金立式双柄双控浴缸水嘴
(可转换·带手持花洒)

DM209CF 铜合金立式双柄双控浴缸水嘴
(可转换·带手持花洒)

使用条件与施工上的注意

使用条件

1. 供冷水*热水压强：
最低压强……0.05MPa（流动压）
最高压强……1.0MPa（静压）
推荐使用压强……0.1-0.5MPa（流动压）
检测压强……1.6MPa（静压）
2. 供水温度在4℃~90℃，建议使用温度60±5℃，供热水请勿使用蒸汽。
3. 使用环境温度0℃以上。如果低于0℃，水嘴会出现变形、冻裂等现象。
4. 为防止花洒内部损坏，花洒侧吐水温度不得超过60℃，建议使用温度45℃以下。
5. 长时间不使用时，可能导致水嘴内部及外部锈蚀不能使用等现象。
6. 如果您需要废弃本产品，请勿将其作为一般生活垃圾处理，请依照法规经由独立的回收体系进行合适的处理、恢复和回收。
7. 本说明书中的产品具有清洗功能。

施工上的注意

- ⚠警告** 表示如果无视此标志而误操作时，有可能造成人员重伤或死亡。
⚠注意 表示如果无视此标志而误操作时，有可能造成人身伤害或财产损失。

⚠警告

1. 水嘴的供热水一侧处于高温状态，请勿使皮肤直接接触五金配件表面，否则可能会烫伤。
2. 请勿配反冷*热水配管，否则可能会烫伤。
3. 供热水请勿使用蒸汽，否则可能会烫伤。
4. 当直接从吐水口侧切换到淋浴器侧或从淋浴器侧切换到吐水口侧时，水温会发生变化，要用手测试水温度后再使用，否则可能会烫伤。
5. 如果客户不使用我司水嘴自带的进水口过滤网，可能会出现阀芯因异物进入而导致的漏水或破损的风险。
6. 施工时本产品的G1/2或G3/4内螺纹请勿与R1/2或R3/4接头安装使用，否则可能会造成主体螺纹处开裂、漏水等不良。

施工上的注意和保养

⚠注意

1. 由于陶瓷阀芯是较精密的部件，请勿擅自分解，否则可能会造成漏水等不良。
2. 请勿撞击本产品，否则可能会造成故障、漏水。
3. 随着产品式样的不断更新，实物存在与图示不符的情况，但基本安装、使用原理相同。

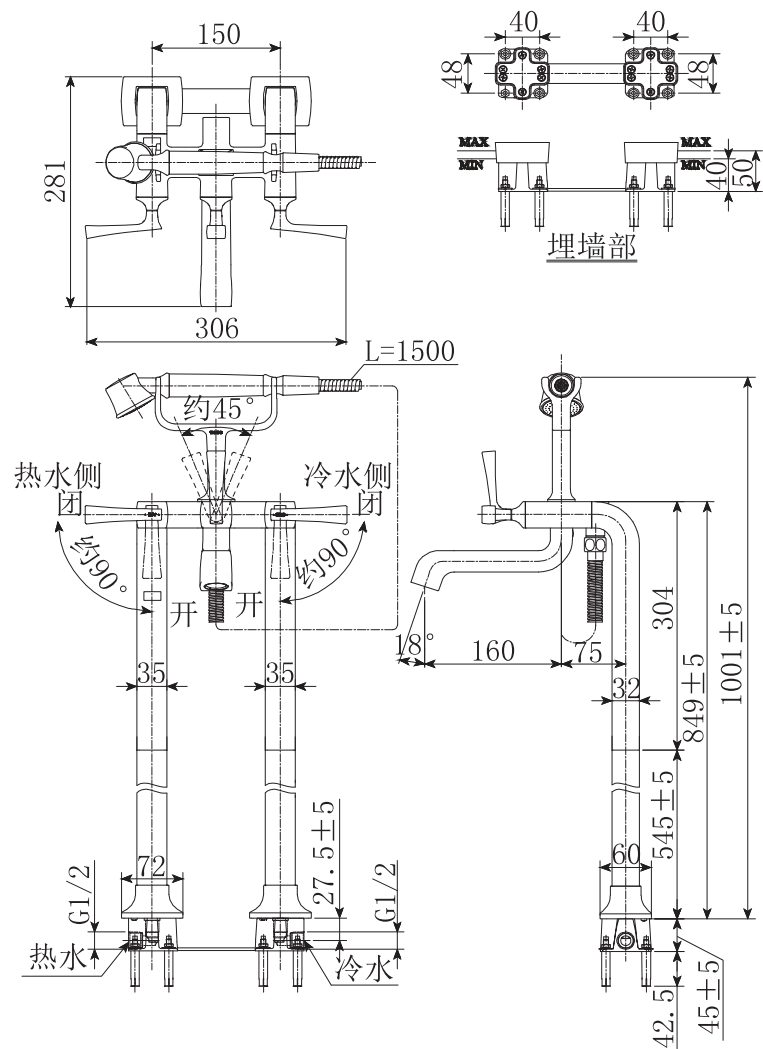
保养

为长期保持产品的美观，请用户按以下方法维护保养。

1. 经常用软布擦拭，间或用软布蘸水擦拭。
2. 当有污垢且比较明显时，请用中性洗涤剂擦拭后充分进行水洗。

安装完成图

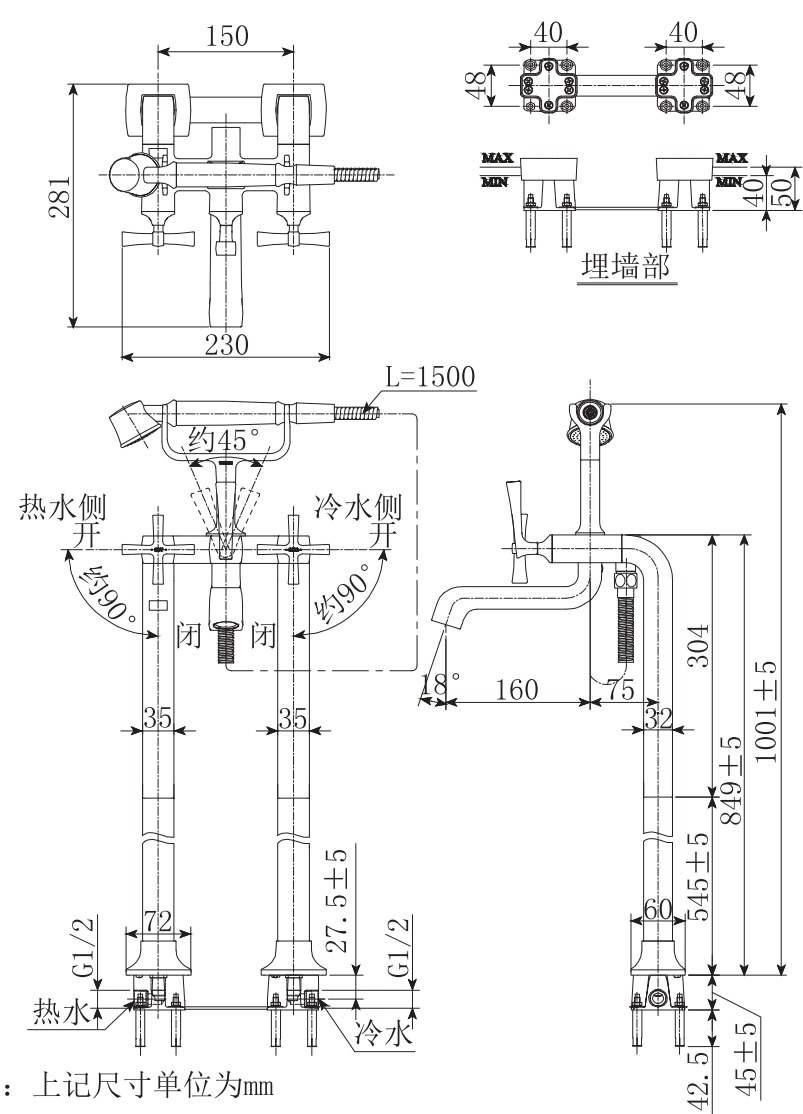
DM209CF 铜合金立式双柄双控浴缸水嘴
(可转换·带手持花洒)



注：上記尺寸单位为mm

安装完成图

DM209ACF 铜合金立式双柄双控浴缸水嘴
(可转换·带手持花洒)



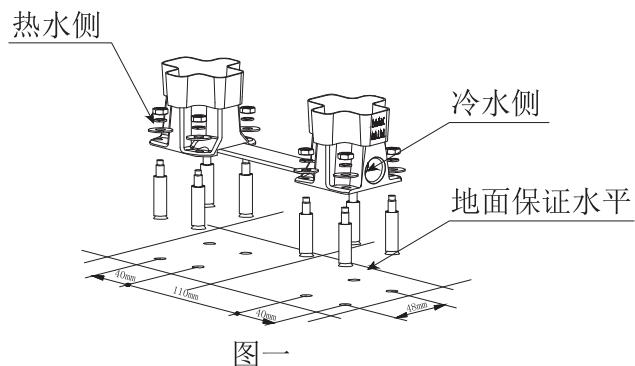
注：上記尺寸单位为mm

水嘴的安装

以DM209CF产品为例：

1. 埋入主体的安装

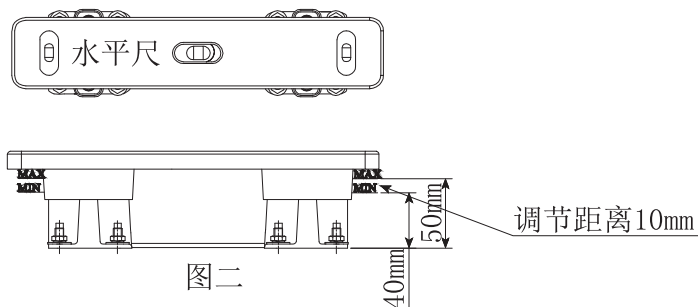
(1) 选择好水嘴的安装位置后，以下图的图示尺寸进行开孔(孔径 $\varnothing 10\text{mm}$)孔深度45mm以上，如图一所示，注意冷热水进水方向，面向水嘴左手边为热水进水方向，右手边为冷水进水方向。



图一

(2) 固定时要用水平尺进行确认，固定的主体是否水平，如图二所示。

△注意：完成地面的高度，完成地面的调节距离10mm。



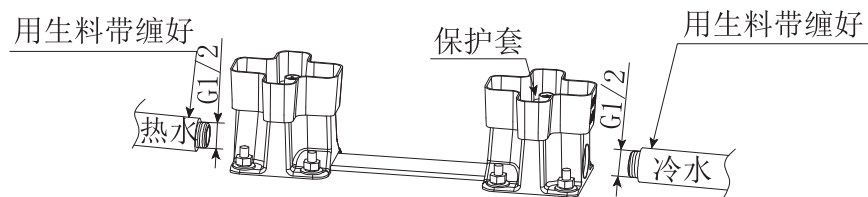
图二

水嘴的安装

2. 连接进水管

(1) 将冷热进水管缠好生料带与埋入主体进行连接。**△注意：**左边为热水侧，右边为冷水侧。如图三所示。

(2) 水管接好后，进行耐压试验，检查有无漏水点。

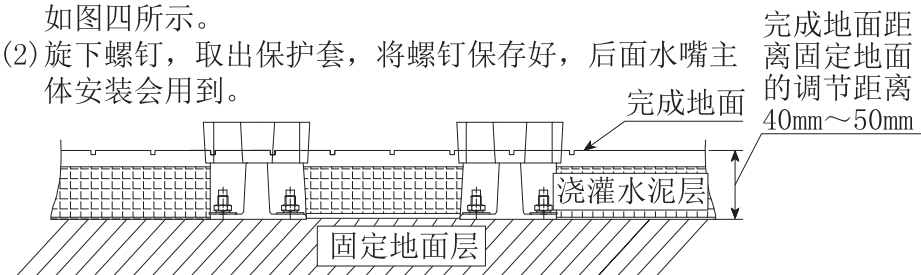


图三

3. 地面的铺设

(1) 埋入主体固定好后，进行浇灌水泥层，浇灌时给贴地砖留有余量。如图四所示。

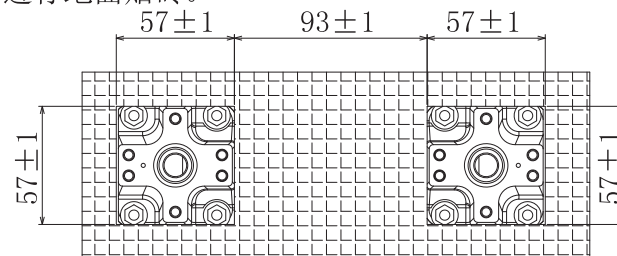
(2) 旋下螺钉，取出保护套，将螺钉保存好，后面水嘴主体安装会用到。



图四

(3) 接着进行地砖开孔，开孔尺寸必须严格按照下图进行施工。

(4) 最后进行地面贴砖。



地面贴砖开孔尺寸施工示意图

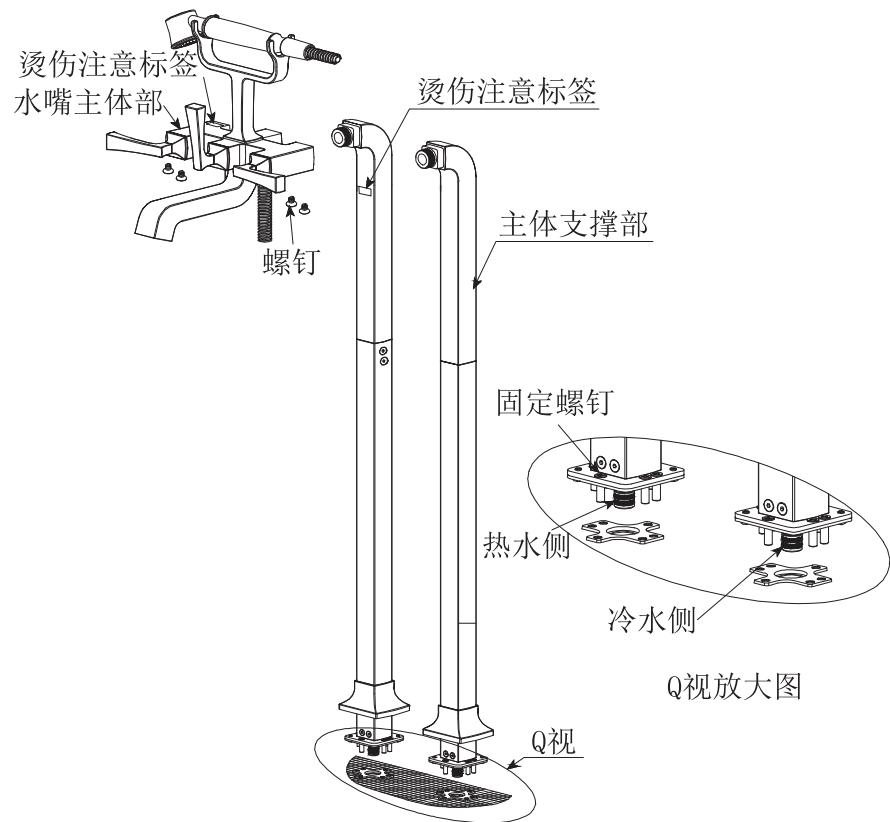
△注意：若未按照图示尺寸进行开孔，可能会造成装饰盖不能完全遮挡地砖开孔尺寸。

水嘴的安装

4. 水嘴主体的安装

- (1) 请清理干净埋入本体表面砂砾。
- (2) 旋出埋入主体中的两个堵头，并清理出水口部脏物。
- (3) 取出主体支撑部，将水嘴主体部与主体支撑用4个螺钉紧固好，最后将整套产品对准埋入主体的冷热水侧，分别插入冷热进水管接头，用旋下的螺钉将主体支撑部固定好。

△ 注意：由于整套水嘴质量比较重，建议2个人以上进行安装。



生产厂家与销售商

执行标准：GB 18145-2014、GB 28378-2019

产品型号：见包装箱上的标签

产品名称：见包装箱上的标签

生产日期：见包装箱上的标签

组装工厂：东陶(大连)有限公司

电 话：(0411)87624383

厂 址：大连经济技术开发区东北二街17号

东陶(中国)有限公司

全国售后服务电话：800-820-9787(固定电话)

400-820-9787(手机用户)

销售商：东陶(中国)有限公司

地 址：北京市朝阳区光华路1号 北京嘉里中心北楼1915室

网 址：www.toto.com.cn

Contents

Contents	
Contents.....	1
Detailed list.....	2
Service condition and attentions in construction.....	3
Attentions in construction and maintenances	4
Installation completion figure	5-6
Water nozzle installation	7-9
Manufacturer and vendor.....	10

Detailed list



Detailed list	
Main body of water nozzle	1 set
Body support part	2 sets
Sprinkler part	1 set
Burial body part	1 set
Opening and closing tool	1 piece
Hex wrench	1 piece
Screw	4 pieces
Expansion bolt.....	8 pieces
Instructions for construction.....	1 copy
Instructions for operation	1 copy
The products using this detailed list include:	
DM209ACF	copper alloy vertical double-handle double-control bath tub water faucet (convertible·having a handheld shower)
DM209CF	copper alloy vertical double-handle double-control bath tub water faucet (convertible·having a handheld shower)

Service condition and attentions in construction

Use condition

1. Cold water supply*hot water supply pressure
Minimum pressure 0.05MPa (flow pressure)
Maximum pressure1.0MPa (static pressure)
Recommended operating pressure... 0.1-0.5MPa (flow pressure)
Test pressure.....1.6MPa (static pressure)
2. The temperature for water supply is 4~90 °C. It is suggested to use the hot water temperature of 60±5 °C, Do not use steam to supply hot water.
3. The ambient temperature for use is above 0 °C. If not, the water tap may deform and crack due to freezing.
4. To prevent internal sprinkler damage,the water outlet temperature on the sprinkler side shall not exceed 60 °C.It is suggested to use a temperature below 45 °C.
5. Being out of use for a long time may result in internal and external rust to the water nozzle and being unable to be used.
6. If you want to scrap this product, do not treat it as you do for general domestic garbage. Please follow relevant statutes to have it treated, recovered and collected appropriately by an independent recovery system.
7. The product in these instructions has a cleaning function.

Attentions in construction

-  **Warning:**it means that ignoring this mark and misoperation may cause serious personal injury and death.
-  **Attention:** it means that ignoring this mark and misoperation may cause personal injury or property loss.

Warning

1. The hot water supply side of the water nozzle is in a condition of high temperature. Do not allow skin to contact with the hardware surface directly. Otherwise, scalding may occur.
2. Do not reverse cold*hot water pipes. Otherwise, scalding may occur.
3. Do not use steam to supply hot water. Otherwise, scalding may occur.
4. when shifting directly from the water outlet to the shower side or shifting from shower side to water outlet,the water temperature will change so test water temperature to avoid scalding before using.
5. If a customer fails to use the self-contained water inlet inler net of our water faucet,there is such a risk as water leakage or damage or damage to foreign matter s entering into the spool.
6. In construction,do not install and use the G1/2 or G3/4 internal threads of this product with R1/2 or R3/4 connector. Otherwise,the main body threads may crack,resulting in such quality problems as water leakage,etc.

Attentions in construction and maintenances

Attentions

1. As the ceramic spool is a precise component, do not dismantle it without authorization.Otherwise, such poor conditions as water leakage, etc. may be caused.
2. Do not impact the product. Otherwise, failure, water leakage may occur.
3. With the product design being updated constantly, the physical object may not coincide with the figure. However, the basic principle for installation, use is the same.

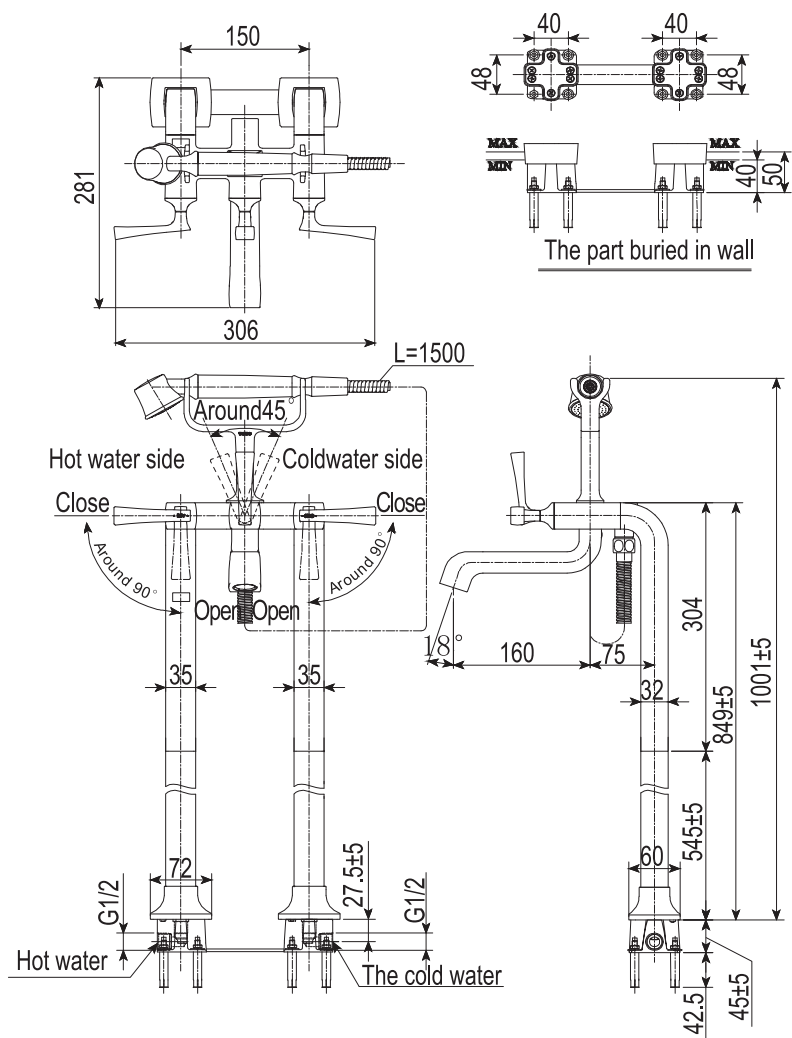
Maintenance

To maintain a beautiful appearance of the product, the user is requested to conduct maintenance and care in the following method.

1. Wipe with a piece of soft cloth frequently and use a piece of soft cloth dipped in water to wipe from time to time.
2. When dirt exists obviously, please use water to wash sufficiently after wiping with a neutral detergent.

Installation completion figure

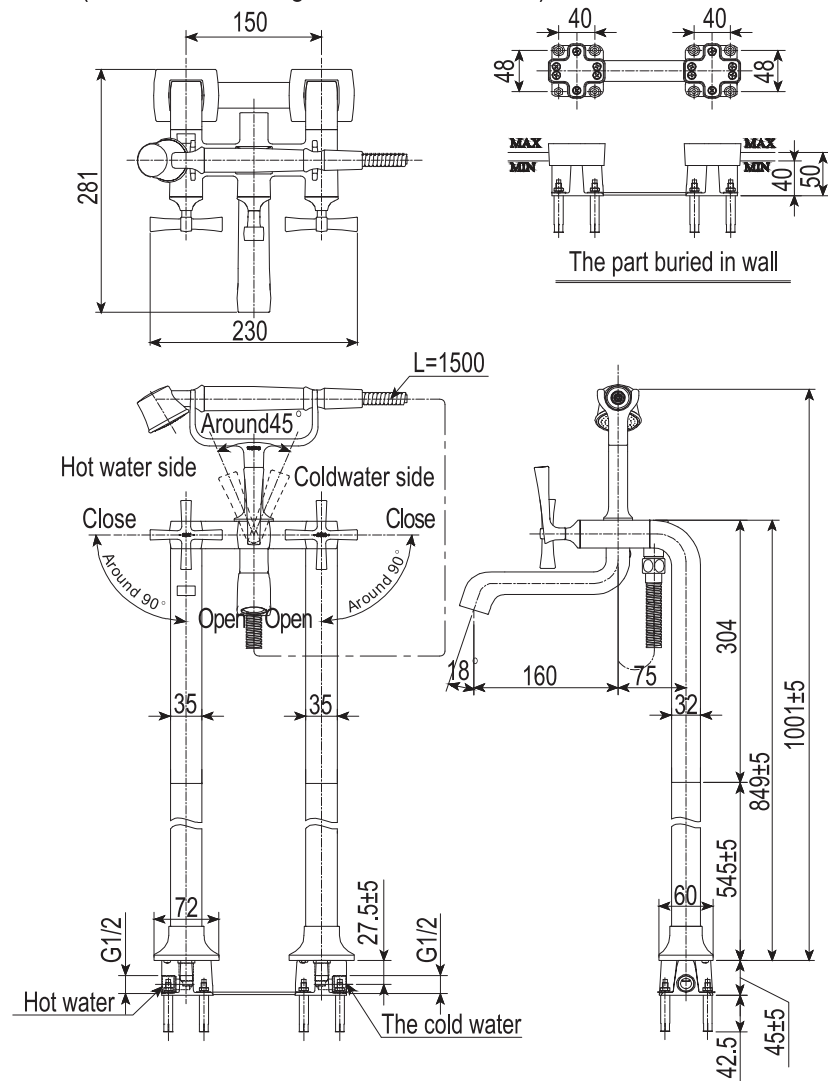
DM209CF copper alloy vertical double-handle double-control bath tub water faucet(convertible·having a handheld shower)



Note: The dimensional unit in the above figure is mm.

Installation completion figure

DM209ACF copper alloy vertical double-handle double-control bath tub water faucet(convertible·having a handheld shower)



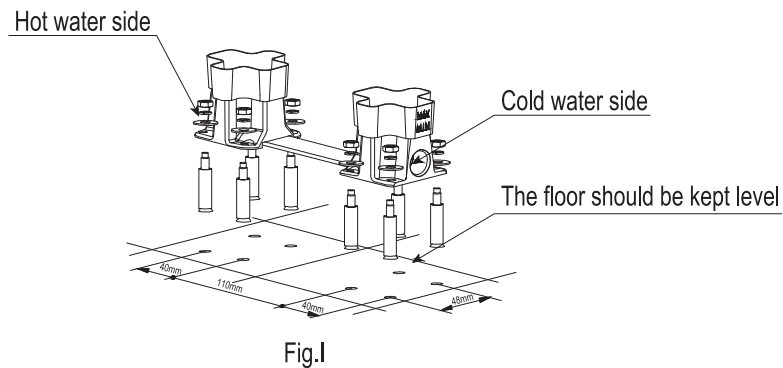
Note: The dimensional unit in the above figure is mm.

Water nozzle installation

Take DM209CF as an example

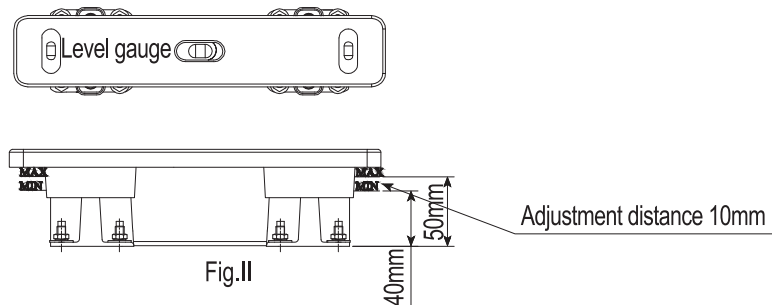
1. Install the buried main body

- (1) After selecting the water nozzle installation position, cut holes ($\varnothing 10\text{mm}$) to the dimension as shown below, the hole depth is more than 45mm, as shown in Figure I. Pay attention to the water inlet directions of cold and hot water. The left hand side facing the water nozzle is the hot water inlet direction and the right hand side is the cold water inlet direction.



- (2) Confirm if the main body being fixed is level by using a level gauge when fixing, as shown in Fig. II.

⚠ Note: The completion ground height, the completion ground adjustment distance is 10mm.

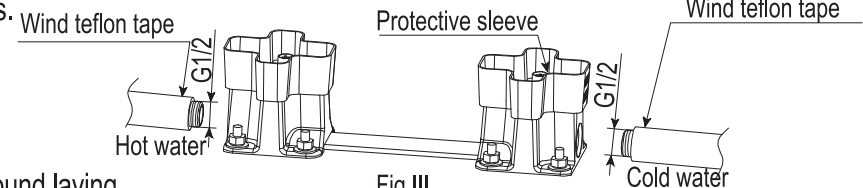


Water nozzle installation

2. Connecting the water inlet pipe

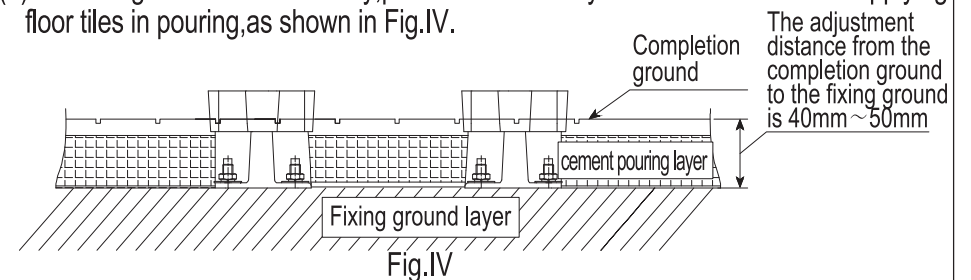
- (1) Wind teflon tape on the cold and hot water inlet pipes and connect with the body buried in wall. **⚠ Note:** the left side is the hot water side and the right side is the cold water side, as shown in Fig. III.

- (2) After water pipe connection, do pressure test to check if any water leakage point exists. Wind teflon tape



3. Ground laying

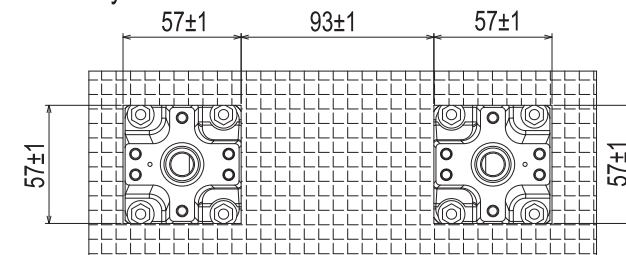
- (1) After fixing the burial main body, pour the cement layer. Leave allowance for applying floor tiles in pouring, as shown in Fig. IV.



- (2) Screw and remove the screws, take out the protective sleeve, keep the screws properly for future water faucet body installation.

- (3) Next, proceed to cutting of floor tile holes. In respect of the hole dimension, the following diagram must be followed strictly in construction.

- (4) Apply floor tiles finally.



Schematic diagram of construction for floor tile hole dimension.

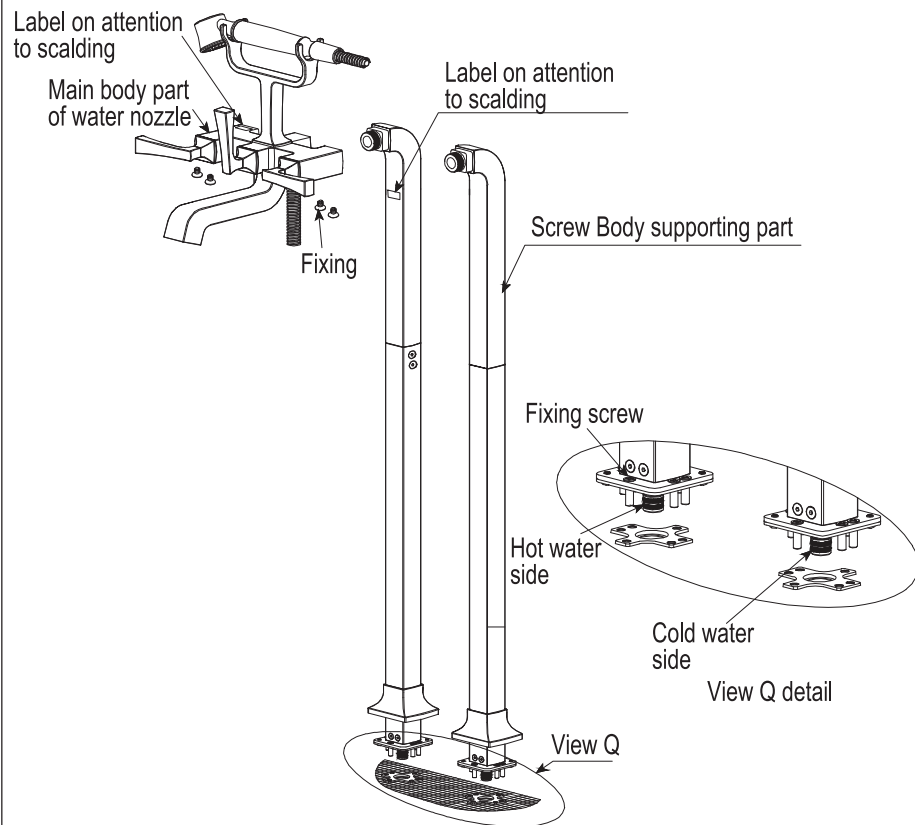
⚠ Note: If the holes are not cut according to the dimension as shown in the diagram, the decorating covers may not be able to fully cover the floor tiles holes.

Water nozzle installation

4. Installation of main water nozzle body

- (1) Clear the grits buried main body surface.
- (2) Screw out the two end caps buried main body and clear the dirt at the water outlet.
- (3) Take out the body supporting part and fix the water nozzle body part and the body support by using 4 screws. Finally point the whole product set at the cold and hot water sides of the body buried in wall. Insert in the cold and hot inlet water pipe joints respectively. Fix the body supporting part properly by using the unscrewed screws.

⚠ Note: As the whole set of water faucet is heavy, it is suggested that two people should carry out the installation.



Manufacturer and vendor

Applicable standard: GB 18145-2014、 GB 28378-2019

Product Model No.: See the label on the packaging case

Product name: See the label on the packaging case

Production date: See the label on the packaging case

Assembly factory: TOTO(Dalian)Co.,Ltd.

Telephone: (0411)87624383

Factory address: 17 Dong Bei Second Street, Economic & Technical Development zone, Dalian

TOTO(China)Co.,Ltd.

After-sale service toll free telephone all over the country:

800-820-9787 (fixed telephone)

400-820-9787 (for mobile phone users)

Vendor: TOTO(China)Co.,Ltd.

Address: Room 1915, North Building of Beijing Jiali Center,

No. 1, Guanghua Road, Chaoyang District, Beijing

Website: www.toto.com.cn