

施工说明书 Instructions for construction

安装产品前请仔细阅读本施工说明书，并保留备用。
Before product installation, read these instructions for
construction carefully and retain it for future reference.

TOTO

TOTO

OG3891Y
2020.11

目录

目 录

目 录	1
明细单	2
使用条件与施工上的注意	3
施工上的注意和保养	4
安装完成图	5-8
水嘴的安装	9-13
生产厂家与经销商	14

明细单

明细单

水嘴主体部	1套
冷水控制部	1套
冷水手柄部	1套
热水控制部	1套
热水手柄部	1套
手柄台座	2个
花洒台座部	1套
淋 浴 器	1套
花洒软管	1套
施工说明书	1本
使用说明书	1本

DB244C
DB244AC
含在冷热水
控制部内

使用本明细单的产品包括:

- DB242C 铜合金台式双柄双控浴缸水嘴(可转换·带抽取式花洒)
- DB244C 铜合金台式双柄双控浴缸水嘴(可转换·带抽取式花洒)
- DB244AC 铜合金台式双柄双控浴缸水嘴(可转换·带抽取式花洒)
- DB251C 铜合金台式双柄双控浴缸水嘴(可转换·带抽取式花洒)

使用条件与施工上的注意

使用条件

1. 供冷水*热水压力：
最低压力……………0.05MPa（流动压）
最高压力……………1.0MPa（静压）
2. 供水温度4℃~90℃，建议使用温度60±5℃，供热水请勿使用蒸汽。
3. 使用环境温度0℃以上。如果低于0℃，水嘴会出现变形、冻裂等现象。
4. 为防止花洒内部损坏，花洒侧吐水温度不得超过60℃，建议使用温度45℃以下。
5. 长时间不使用时，可能导致水嘴内部及外部锈蚀不能使用等现象。
6. 如果您需要废弃本产品，请勿将其作为一般生活垃圾处理，请依照法规经由独立的回收体系进行合适的处理、恢复和回收。
7. 本说明书中的产品具有清洗功能。

施工上的注意

- ⚠警告** 表示如果无视此标志而误操作时，有可能造成人员重伤或死亡。
⚠注意 表示如果无视此标志而误操作时，有可能造成人身伤害或财产损失。

⚠警告

1. 水嘴的供热水一侧处于高温状态，请注意勿使皮肤直接接触五金配件表面，否则可能会烫伤。
2. 请勿配反冷*热水配管，否则可能会烫伤。
3. 供热水请勿使用蒸汽，否则可能会烫伤。
4. 耐压软管在出厂前已组装好，客户在安装使用时请勿拧动六角螺母，否则可能会造成漏水等不良。
5. 如果客户不使用我司水嘴自带的进水口过滤网，可能会出现阀芯因异物进入而导致的漏水或破损的风险。

施工上的注意与保养

⚠注意

1. 由于陶瓷阀芯是较精密的部件，请勿擅自分解，否则可能会造成漏水等不良。
2. 请勿撞击本产品，否则可能会造成故障、漏水。
3. 高压力、大流量使用场合下，切替操作力会有变大的可能。此时，请通过调节手柄降低流量的方式进行操作。
4. 随着产品式样的不断更新，实物存在与图示不符的情况，但基本安装、使用原理相同。

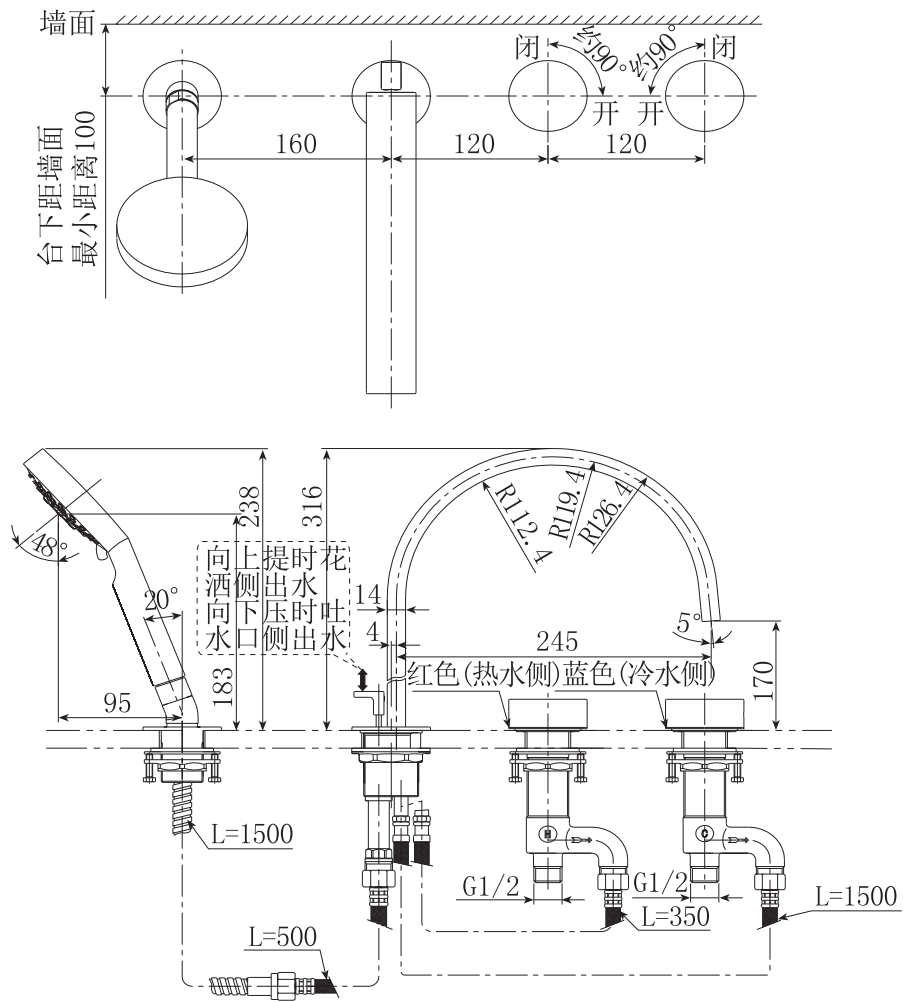
保养

为长期保持产品的美观，请用户按以下方法维护保养。

1. 经常用软布擦拭，间或用软布蘸水擦拭。
2. 当有污垢且比较明显时，请用中性洗涤剂擦拭后充分进行水洗。

安装完成图

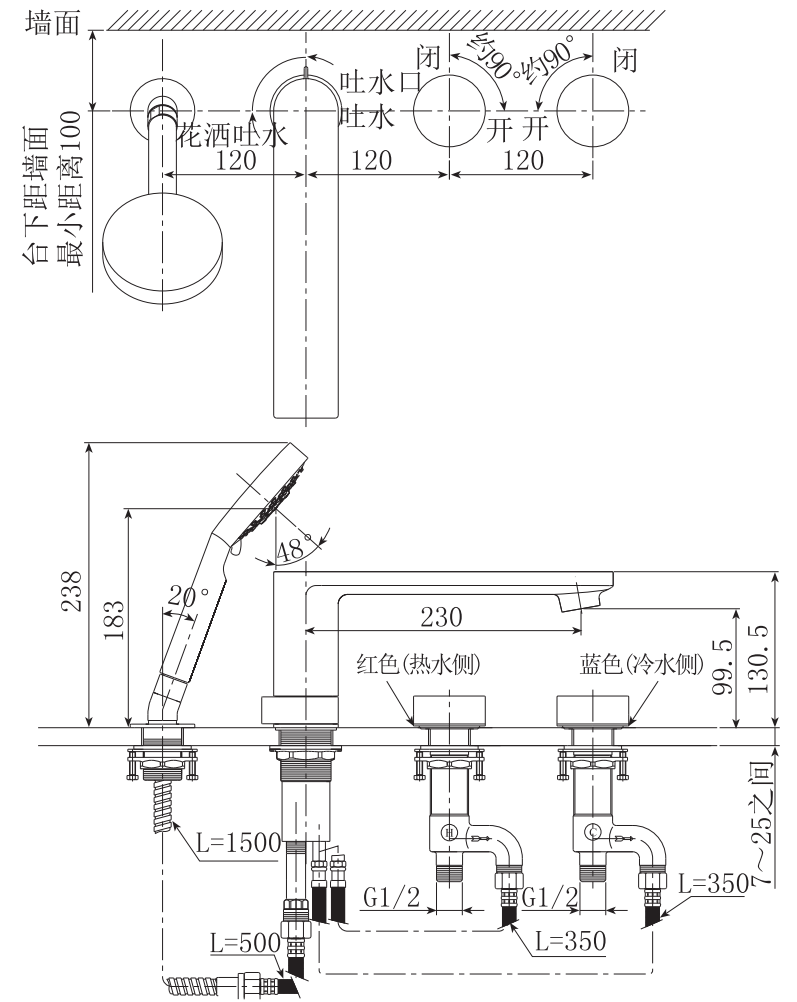
DB251C 铜合金台式双柄双控浴缸水嘴(可转换·带抽取式花洒)



※注：本图吐水本体向右旋转90°、手持花洒向左旋转90°，正式安装后，吐水本体向前，且不可旋转。
单位mm

安装完成图

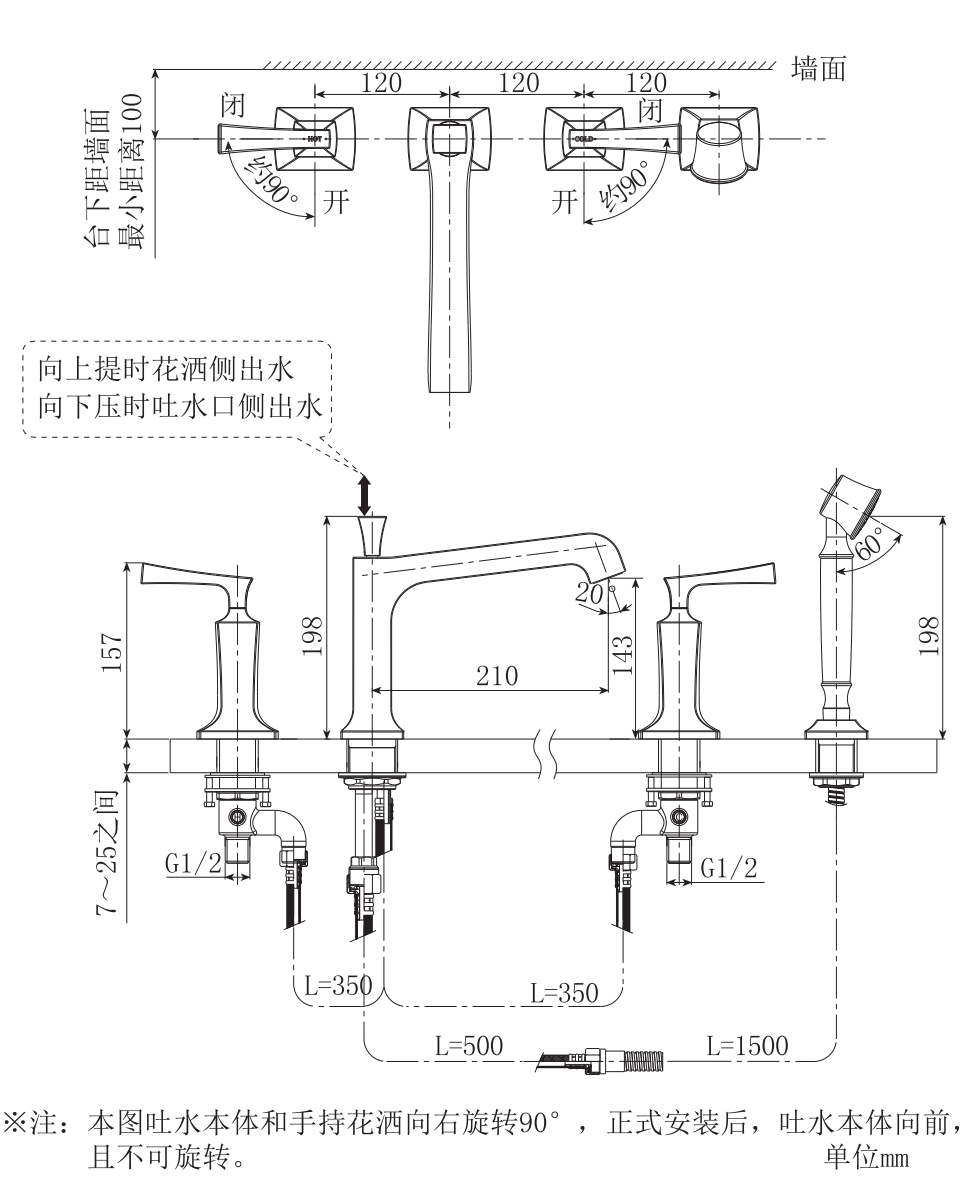
DB242C 铜合金台式双柄双控浴缸水嘴(可转换·带抽取式花洒)



※注：本图吐水本体和手持花洒向右旋转90°，正式安装后，吐水本体向前，且不可旋转。
单位mm

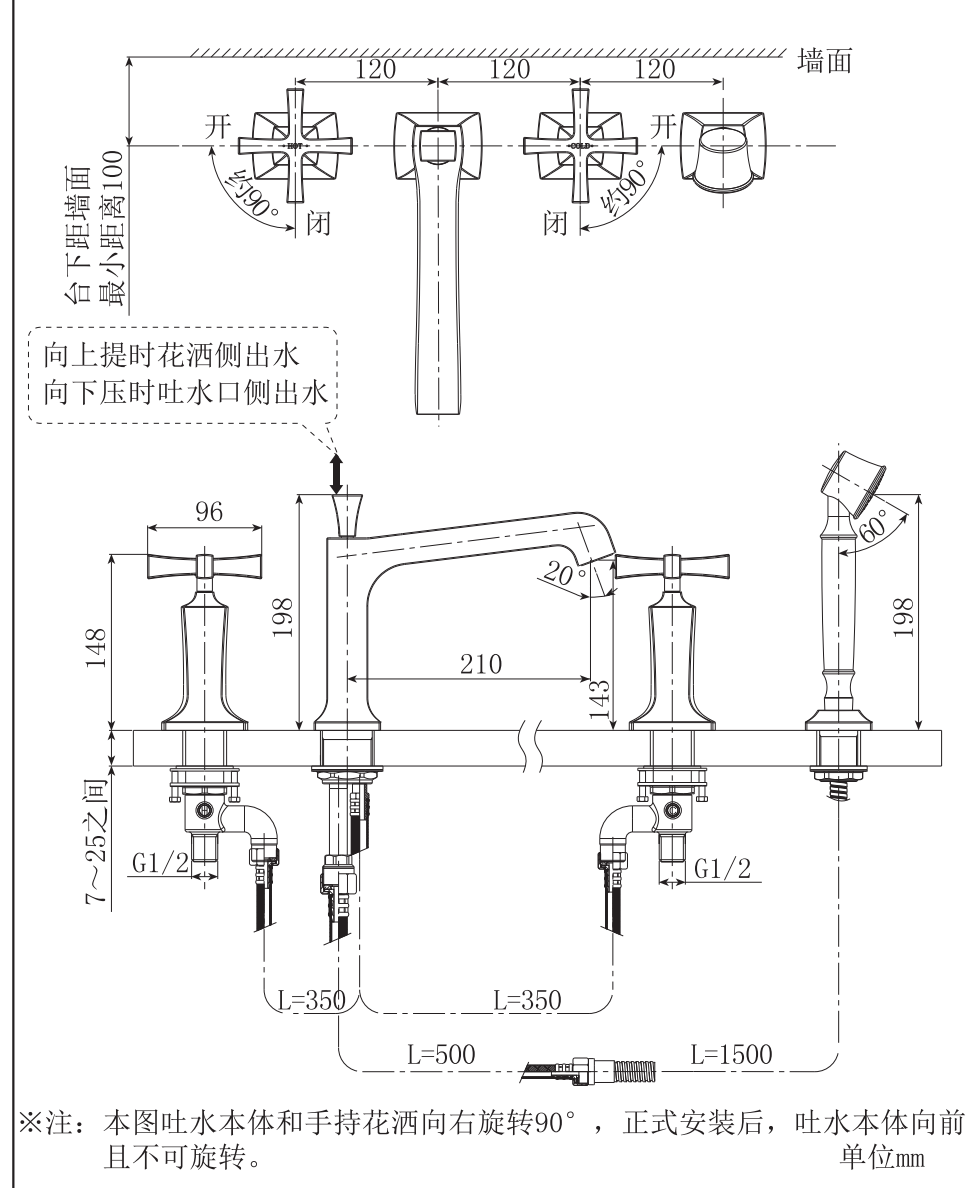
安装完成图

DB244C 铜合金台式双柄双控浴缸水嘴(可转换·带抽取式花洒)



安装完成图

DB244AC 铜合金台式双柄双控浴缸水嘴(可转换·带抽取式花洒)

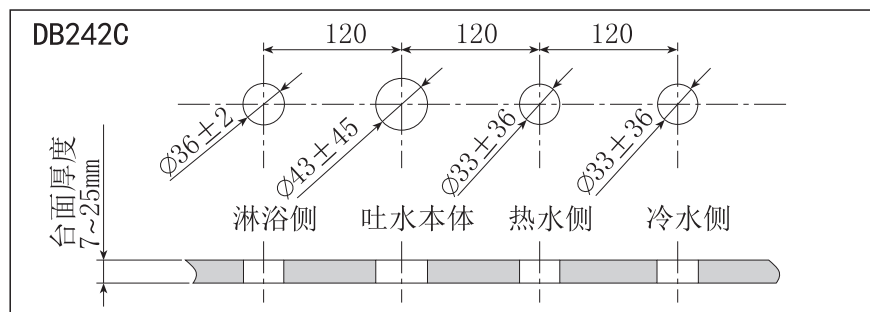
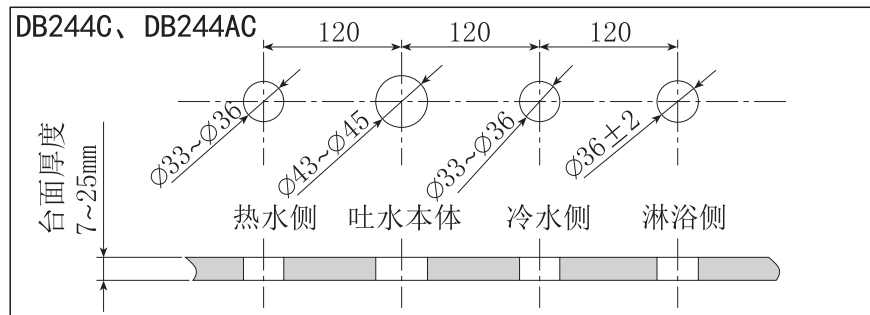


水嘴的安装

一. 供水管内的清扫

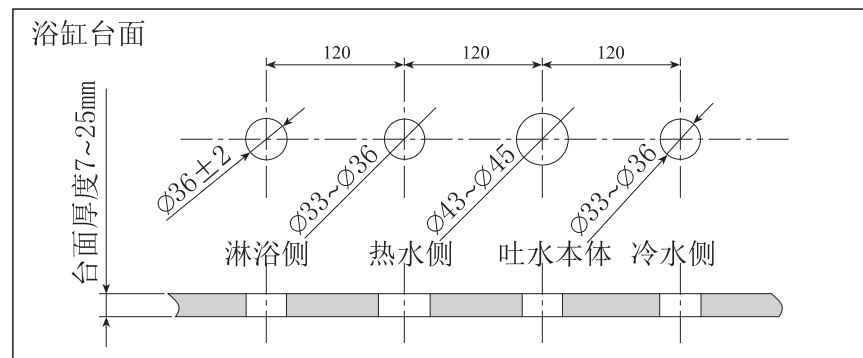
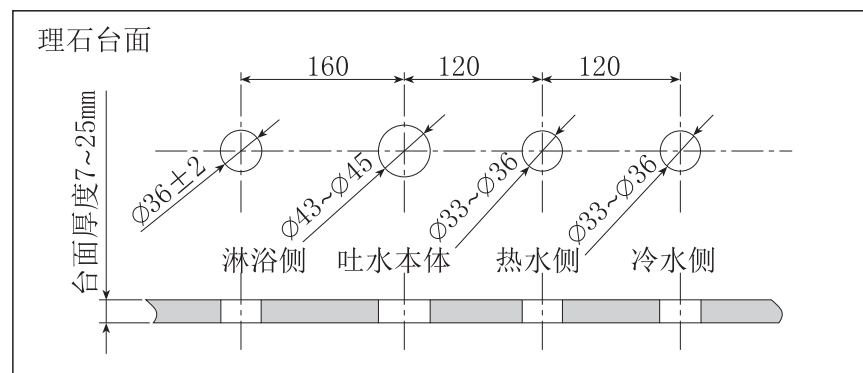
安装之前，一定要冲净供水管内的灰尘、砂砾等异物。

二. 孔的设定



水嘴的安装

DB251C



水嘴的安装

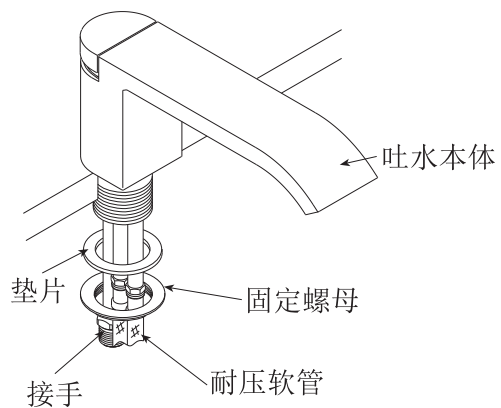
三. 水嘴的安装

在安装前必须清除安装孔周围的污物，主体的安装参照下图，具体的安装方法是：

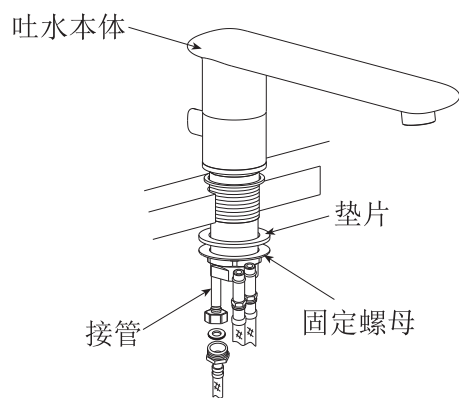
(1) 本体部的安装

先将本体下面的固定螺母和垫片卸下，将本体安装到台面上，再将固定螺母和垫片安装到本体上，拧紧。

式样一



式样二



水嘴的安装

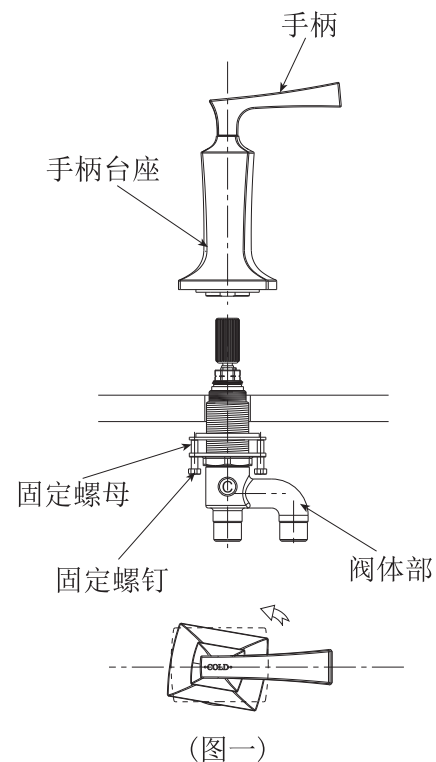
(2) 本体部的安装

DB244C手柄部的安装(DB244AC原理相同)

将阀体上的固定螺母向下旋至最大后，插入台面的安装孔中，再将手柄以关闭的方向插入到阀体上，顺时针旋转手柄台座，直到旋紧。旋紧后出现图一所示状态时，再将手柄台座逆时针旋转到与手柄杆方向水平，最后拧紧固定螺母与固定螺钉。

注意：

1. 手柄台座上的垫片与台面接触。
2. 手柄不要装反（•HOT•字样为热水侧，•COLD•字样为冷水侧）。
3. 贴C侧标签为冷水侧本体（右侧），贴H侧标签为热水侧本体（左侧）。



(图一)

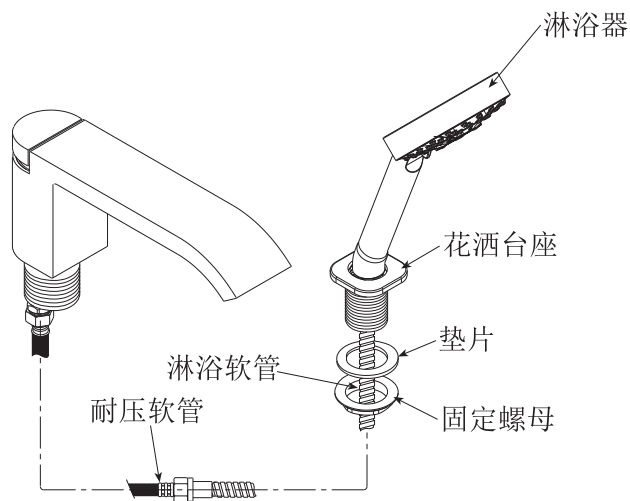
水嘴的安装

(3) 淋浴部的安装

淋浴部的安装(DB242C、DB244C、DB244AC、DB251C原理相同)

1. 如图所示将花洒台座上的垫片与固定螺母旋下来，将淋浴软管螺纹端穿过花洒台座后一并安装到台面上，再将垫片与固定螺母安装到花洒台座上，拧紧。

注意：花洒台座槽内的发泡垫片不要拆下来。



(4) 耐压软管的安装

将编有蓝织线的耐压软管与冷水侧阀体螺纹端相接，并充分拧紧；
将编有红织线的耐压软管与热水侧阀体螺纹端相接，并充分拧紧；
最后将另一根耐压软管与淋浴软管螺纹端相接并充分拧紧。

生产厂家与销售商

执行标准：GB 18145-2014、GB 28378-2019

产品型号：见包装箱上的标签

产品名称：见包装箱上的标签

生产日期：见包装箱上的标签

组装工厂：东陶（大连）有限公司

电 话：（0411）87624383

厂 址：大连经济技术开发区东北二街17号

东陶(中国)有限公司

全国售后服务电话：800-820-9787(固定电话)

400-820-9787(手机用户)

销售商：东陶(中国)有限公司

地 址：北京市朝阳区光华路1号 北京嘉里中心北楼1915室

网 址：www.toto.com.cn

Contents

Contents

Contents.....	1
Detailed list.....	2
Use condition and attentions in construction	3
Attentions in construction and maintenance	4
Installation completion figure	5-8
Water nozzle installation	9-13
Manufacturer and vendor.....	14

Detailed list

Detailed list

Main body part of water nozzle	1 set
Cold water control part	1 set
Cold water handle part	1 set
Hot water control part	1 set
Hot water handle part	1 set
Handle pedestal	2 pieces
DB244C and DB244AC Contained in the cold and hot water control part	
Sprinkler pedestal part	1 set
Shower	1 set
Sprinkler hose.....	1 set
Instructions for construction	1 copy
Instructions for operation	1 copy

The products using this detailed list include:



DB242C	Copper alloy desk type double-handle double-control bath tub water faucet (Convertible·having a handheld shower)
DB244C	Copper alloy desk type double-handle double-control bath tub water faucet (Convertible·having a handheld shower)
DB244AC	Copper alloy desk type double-handle double-control bath tub water faucet (Convertible·having a handheld shower)
DB251C	Copper alloy desk type double-handle double-control bath tub water faucet (Convertible·having a handheld shower)

Use condition and attentions in construction

Use condition

1. Cold water supply*hot water supply pressure
Minimum pressure 0.05MPa (flow pressure)
Maximum pressure 1.0MPa (static pressure)
2. The temperature for water supply is 4~90°C. It is suggested to use the hot water temperature of 60±5°C. Do not use steam to supply hot water.
3. The ambient temperature for use is above 0°C. If not, the water tap may deform and crack due to freezing.
4. To prevent internal sprinkler damage,the water outlet temperature on the sprinkler side shall not exceed 60°C.It is suggested to use a temperature below 45°C.
5. Being out of use for a long time may result in internal and external rust to the water nozzle and being unable to be used.
6. If you want to scrap this product, do not treat it as you do for general domestic garbage. Please follow relevant statutes to have it treated, recovered and collected appropriately by an independent recovery system.
7. The product in these instructions has a cleaning function.

Attentions in construction

-  **Warning:**it means that ignoring this mark and misoperation may cause serious personal injury and death.
-  **Attention:** it means that ignoring this mark and misoperation may cause personal injury or property loss.

Warning

- 1.The hot water supply side of the water nozzle is in a condition of high temperature. Do not allow skin to contact with the hardware surface directly. Otherwise,scalding may occur.
- 2.Do not reverse cold*hot water pipes. Otherwise, scalding may occur.
- 3.Do not use steam to supply hot water. Otherwise, scalding may occur.
4. The pressure resistant hose has been assembled before leaving the factory. Please do not screw the hexagon nut during installation and use, otherwise it may cause leakage and other defects.
- 5.If a customer fails to use the self-contained water inlet filter net of our water faucet,there is such a risk as water leakage or damage due to foreign matters entering into the spool.

Attentions in construction and maintenance

Attentions

- 1.As the ceramic spool is a precise component,do not dismantle it without authorization.Otherwise,such poor conditions as water leakage,etc may be caused.
2. Do not impact the product. Otherwise, failure, water leakage may occur.
3. In case of high pressure, large flow, the switching operating force may increase. At this point, please operate by way of reducing the flow through the adjusting handle.
4. With the product design being updated constantly, the physical object may not coincide with the figure. However, the basic principle for installation, use is the same.

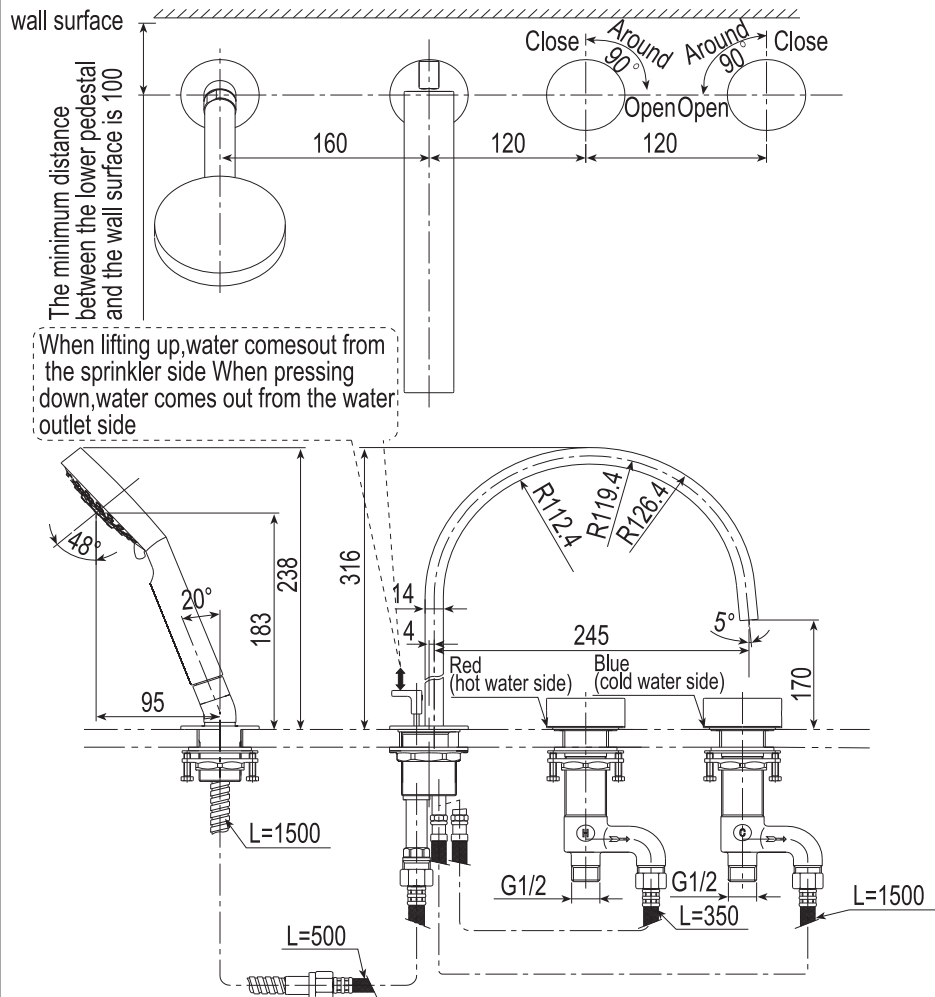
Maintenance

To maintain a beautiful appearance of the product, the user is requested to conduct maintenance and care in the following method.

1. Wipe with a piece of soft cloth frequently and use a piece of soft cloth dipped in water to wipe from time to time.
2. When dirt exists obviously, please use water to wash sufficiently after wiping with a neutral detergent.

Installation completion figure

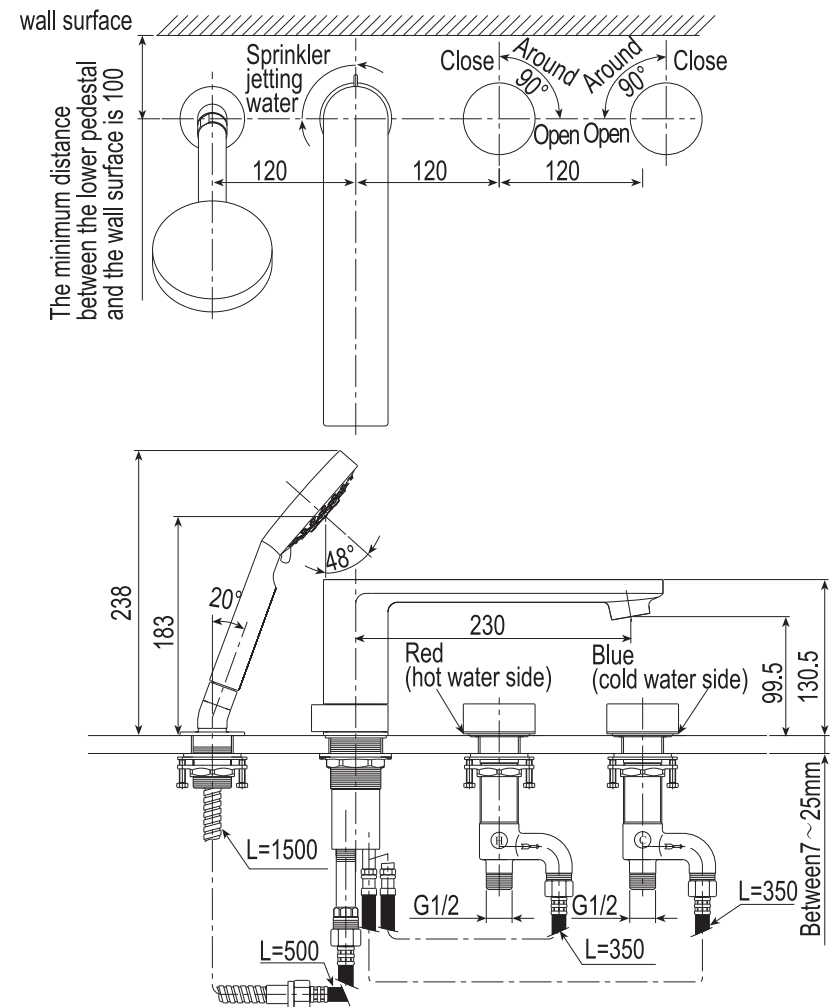
DB251C Copper alloy desk type double-handle double-control bath tub water faucet (Convertible·having a handheld shower)



※Note: In this figure, the water outlet body rotates rightward for 90° and the handheld sprinkler rotates leftward for 90°. After formal installation, the water outlet body directs forward and can not rotate.
Unit:mm

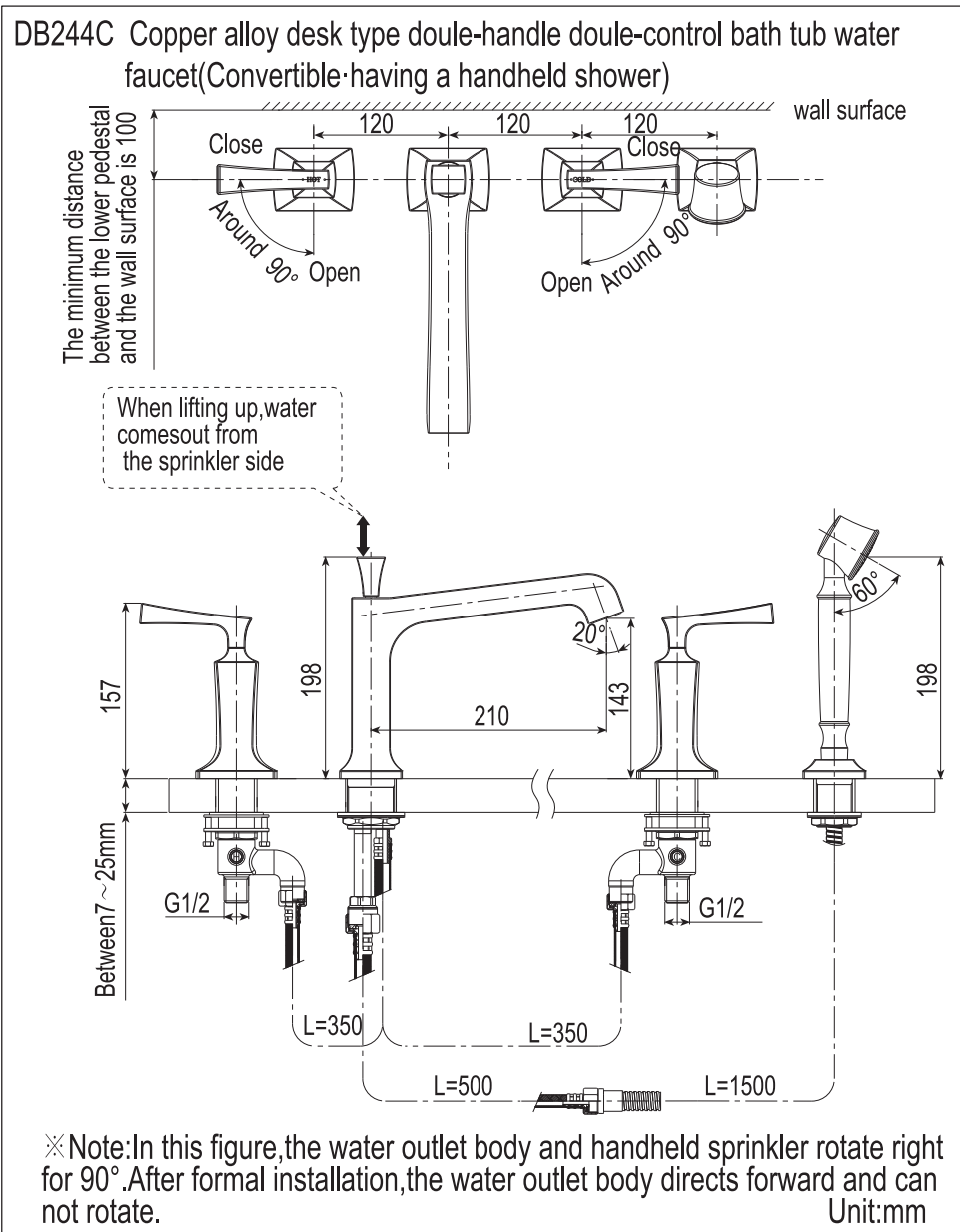
Installation completion figure

DB242C Copper alloy desk type double-handle double-control bath tub water faucet (Convertible·having a handheld shower)

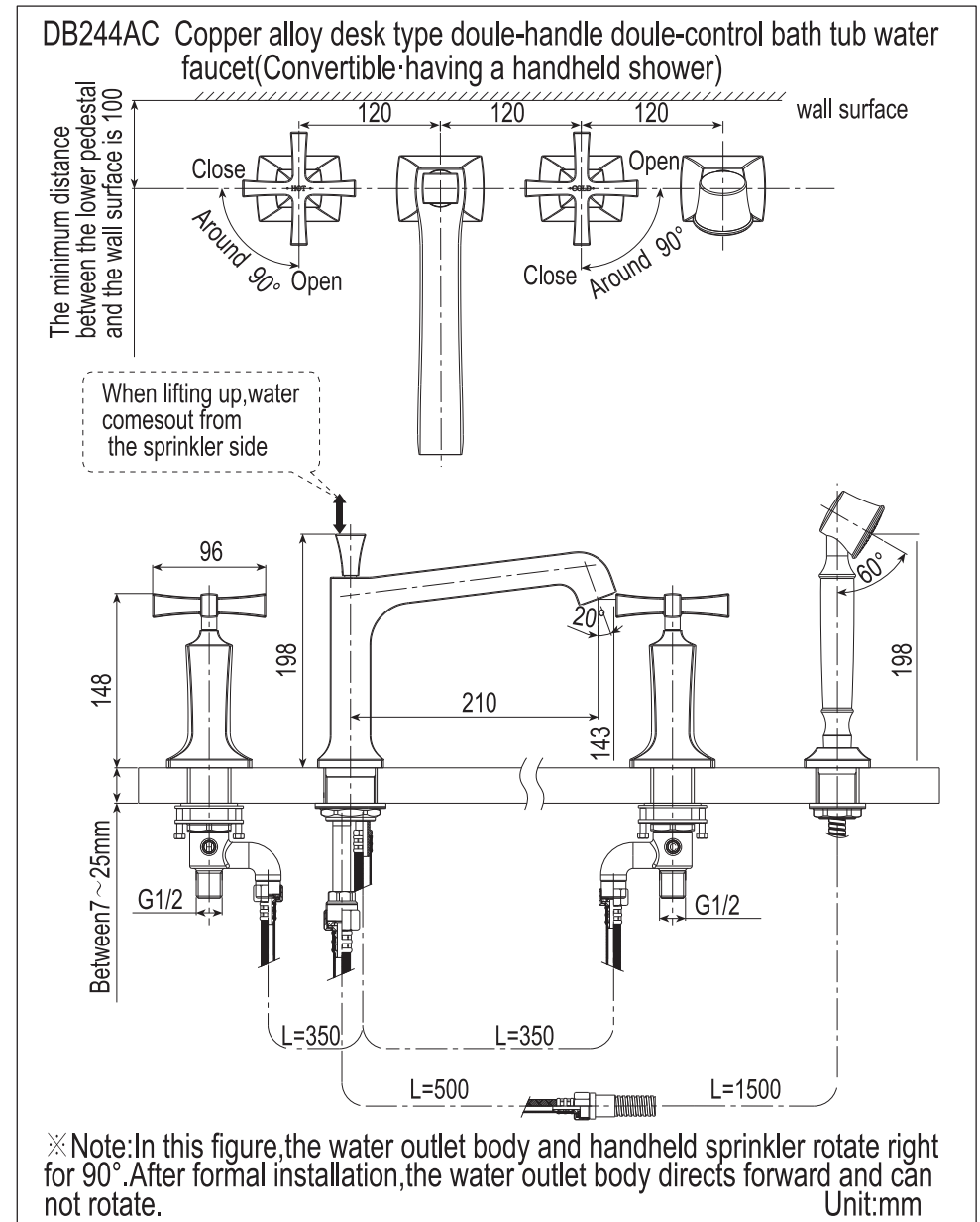


※Note: In this figure, the water outlet body and handheld sprinkler rotate right for 90°. After formal installation, the water outlet body directs forward and can not rotate.
Unit:mm

Installation completion figure



Installation completion figure

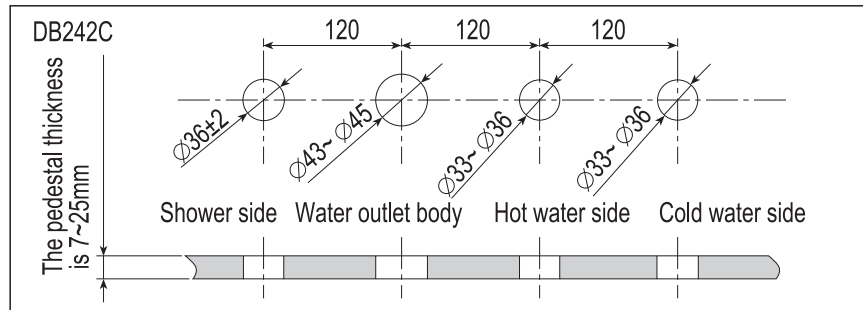
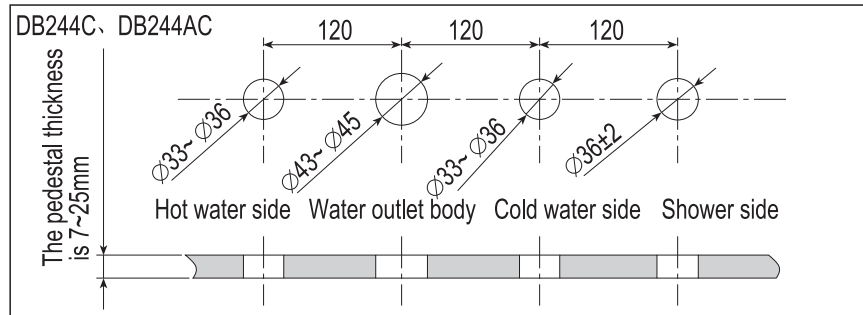


Water nozzle installation

I. Cleaning in the water supply pipe

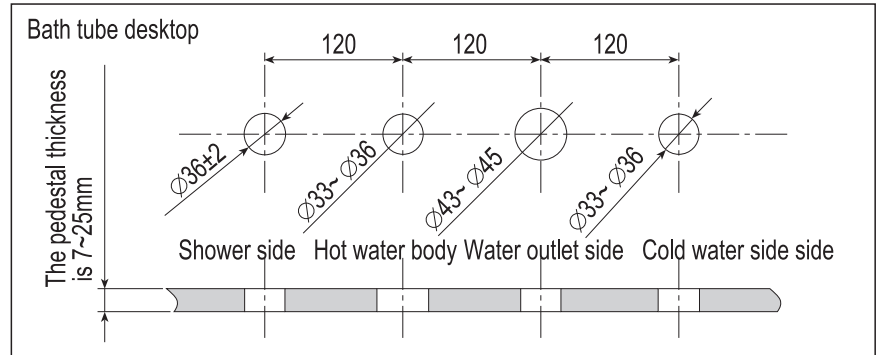
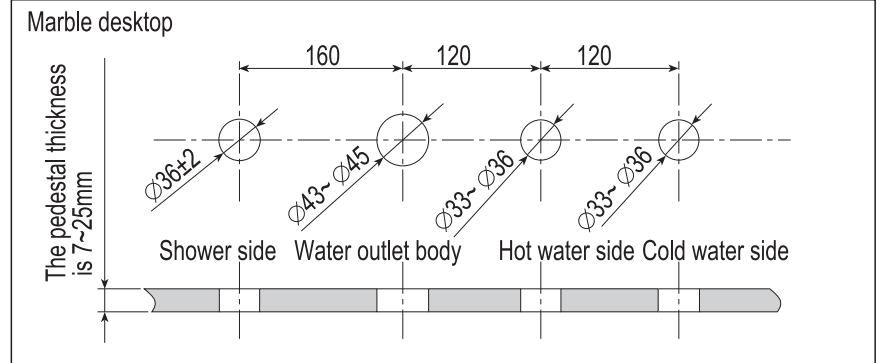
Before installation, be sure to remove by washing such foreign matters as dust, sand, etc. in the water supply pipe.

II. Hole setting



Water nozzle installation

DB251C



Water nozzle installation

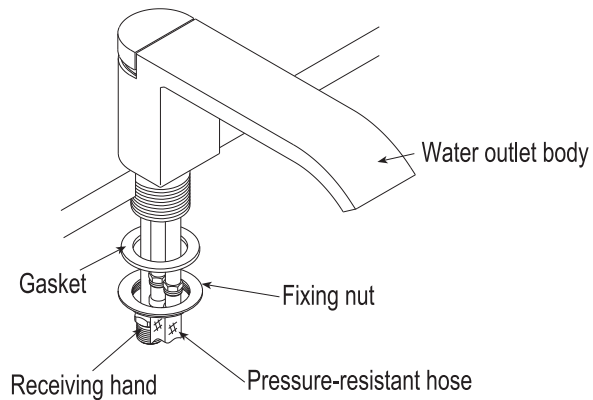
III. Water nozzle installation

Before installation be sure to remove the dirt around the mounting hole. Refer to the figure below for the main body installation. The specific installation method is:

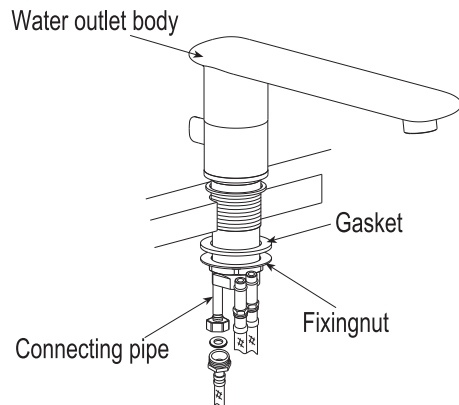
(1) Body part installation

First remove the fixing screws and gaskets under the body and install the body onto the desktop. Then install the fixing nut and gasket onto the body and screw tight.

Style I



Style II



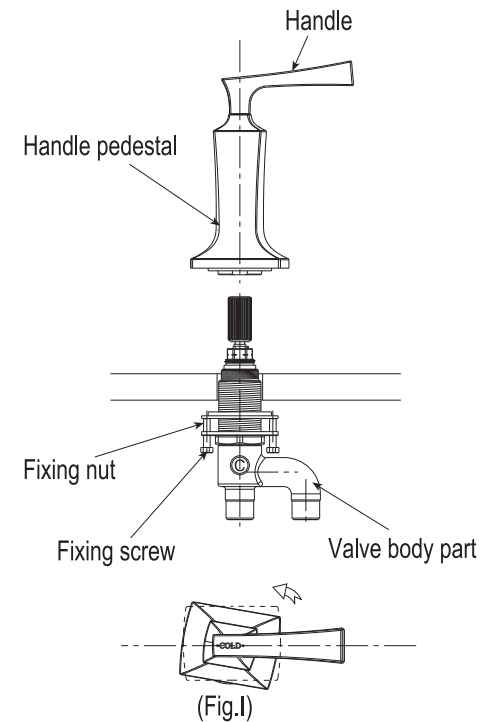
Water nozzle installation

(2) Handle part installation(I)

d. The handle part installation of DB244C (The same principle as DB244AC). After screwing the fixing nut on the valve body to the maximum degree downward, insert into the mounting hole in the desktop. Then insert the handle into the valve body in a closing direction. Rotate the handle pedestal clockwise until screwing tight. When the condition as shown in Fig. I appears after screwing tight, rotate the handle pedestal anticlockwise to be horizontal with the handle bar direction. Finally, screw tight the fixing nuts and fixing screws.

Note:

1. The gasket on the handle pedestal contacts with the desktop.
2. Do not reverse the handle (The side with is the hot water side and the side with is the cold water side).
3. The part with a side C label affixed is the cold water side body (right side). The part with a side H label affixed is the hot water side body (left side).

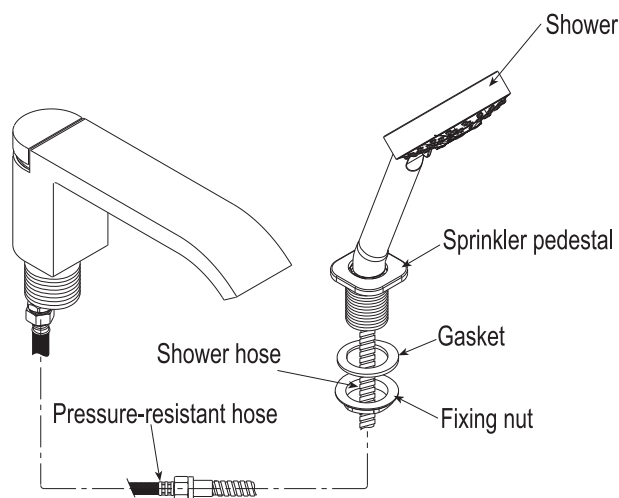


Water nozzle installation

(3) Shower part installation

Shower part installation(DB242C,DB244C,DB244AC and DB251C are the same principle)

1.As shown in the figure,unscrew the gasket and fixing nut on the sprinkler pedestal.After running the shower hose screw thread end through the sprinkler pedestal,install them onto the desktop together.Then install the gasket and fixing nut onto the sprinkler pedestal and screw tight.



(4) Installation of pressure-resistant hose

Connect the pressure-resistant hose braided with blue weaving thread with the valve body screw thread end on the cold water side and screw tight sufficiently; Connect the pressure-resistant hose braided with red weaving thread with the valve body screw thread end on the hot water side and screw tight sufficiently. Finally,connect the other pressure-resistant hose with the shower hose screw thread end and screw tight sufficiently.

Manufacturer and vendor

Applicable standard:GB 18145-2014、 GB 28378-2019

Product Model No.:See the label on the packing case

Product name:See the label on the packing case

Production date:See the label on the packing case

Assembly factory:TOTO(Dalian)Co.,Ltd.

Telephone:(0411)87624383

Factory address:17 Dong Bei Second Street,Economic&Technical Development Zone,Dalian

TOTO(China)Co.,Ltd.

After-sale service toll free telephone all over the country:

800-820-9787(fixed telephone)

400-820-9787(for mobile phone users)

Vendor:TOTO(China)Co.,Ltd.

Address:Room 1915,North Building of Beijing Jiali Center,No.1, Guanghua Road,Chaoyang District,Beijing

Website:www.toto.com.cn