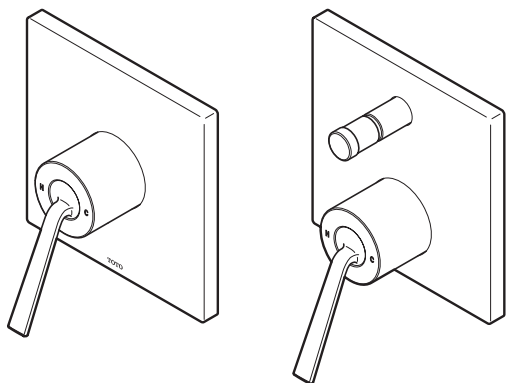


# TOTO

## 铜合金壁式 单柄双控暗装水嘴面板

型号	TBP02301型 TBP02302型
----	------------------------



使用说明书

保修卡

### 使用前

安全上的注意事项	1-3
各部位名称	4

### 使用方法

使用条件与使用上的注意	5
使用上的注意与保养	5

### 保养

拆卸与检查	6
-------	---



咨询和报修	封底
-------	----

- ◆首先对您选购本公司的产品表示我们最真诚的谢意。请务必仔细阅读本使用说明书后正确地进行使用。
- ◆请务必确认在保修卡中有无填写安装公司名称和安装日期等。
- ◆请妥善保管本使用说明书，以便在必要时可随时取阅。





# 安全上的注意事项(为了安全起见,请务必遵守)

使用前,请细读本「安全上的注意事项」的内容,并正确地使用。




- 阅读后,请务必妥善保管在使用者随时可取阅之处。
- 为了安全、正确的使用产品,防止给您或者他人的人身及财产安全造成损失,此说明书采用了许多标志。各标志与含义如下:

标志	含义
 <b>警告</b>	此标志表示无视此标志的内容,进行误操作的话,可能导致人员死亡或重伤。
 <b>注意</b>	此标志表示无视此标志的内容,进行误操作的话,可能造成人员伤害或物质财产损失。




- 需遵守的内容通过以下标志加以区分、说明。

	 表示不可行,“禁止”之意。 左图表示“禁止拆解”。
	 表示必须“强制”实行的内容。 左图表示“必须实行”。

※因产品型号不同,图片与实物可能稍有差异。

 <b>警告</b>	
 禁止	供热水温度不得超过90°C,建议供热水温度为60°C。供热水管请勿使用蒸汽 否则可能会造成产品使用寿命缩短、损坏、烫伤以及因发生漏水而造成弄湿家具等财产损失。
	请勿擅自进行诸如安装非本产品结构零件以外部件,或拆除零件等改装 否则,可能因产品性能受损导致烫伤、受伤,或因漏水而引起家具浸湿等财产损失。
 禁止拆解	非专业维修人员绝对不能进行说明书记载检修项目外的产品拆解、修理和改造 否则,可能因产品受损导致烫伤、受伤,或因漏水而引起家具浸湿等财产损失。

## 警告

	<p>残障人士及智力能力缺陷和常识缺乏者（包括儿童）需在专人监护下使用本产品 否则会造成烫伤、受伤。</p>
 禁止	<p>淋浴时，请勿同时使用其他水嘴 否则会因使用多处水嘴导致水压变动，在使用热水时可能会因热水温度上升而造成烫伤。</p> <p>请勿使60°C以上的高温热水通过花洒。淋浴时请务必保证流出热水处于45°C以下 否则会造成花洒损坏或造成烫伤、受伤等。</p>
 禁止碰触	<p>使用高温热水时，切勿直接触碰吐水口本体及手柄装饰盖 否则会因水嘴处于高温状态而造成烫伤。</p>
 必须实行	<p>使用热水前，请事先用手确认温度是否合适 否则会因流出高温热水而造成烫伤。此外在进行水嘴本体和手持花洒之间，或手持花洒吐水模式切换时，可能会导致水温变高，请加以注意。</p> <p>使用前，请务必确认手柄的位置 使用热水时，直接从热水侧放水，会因流出的高温热水而烫伤。为避免烫伤，请先从冷水侧打开，然后慢慢地调整到适当的水温。</p> <p>使用高温热水后，请放一段时间冷水冷却 否则在下次使用时，可能会因产品内残留的高温热水而造成烫伤。</p>

## ⚠ 注意

不要施加强力或冲击

否则可能会造成破损，以及因发生漏水而造成的家具浸湿等财产损失。

请勿对电镀层表面施加强力或冲击

否则会因零部件损坏，或表面镀层出现裂纹而导致受伤。如出现以上现象，请立即委托修理。

请勿使用中性洗涤剂以外的洗涤剂

否则可能会造成变色或破损。

请勿在室外或可能结冰的地方使用

否则可能导致部件破损，从而因漏水浸湿财物致使财物受损。因结冰造成的破损，即使在质保期内也属于收费修理。在可能结冰时，请保持水嘴周围温度，防止降至冰点以下。

请慢慢地操作手柄

关闭过快时，水管会发出「咚」的撞击声音，使水管收到冲击进而可能导致漏水而造成的家具浸湿等财产损失。

长期不使用时，请务必关闭进水角阀和供水管道总阀  
以免发生漏水等意外事故。



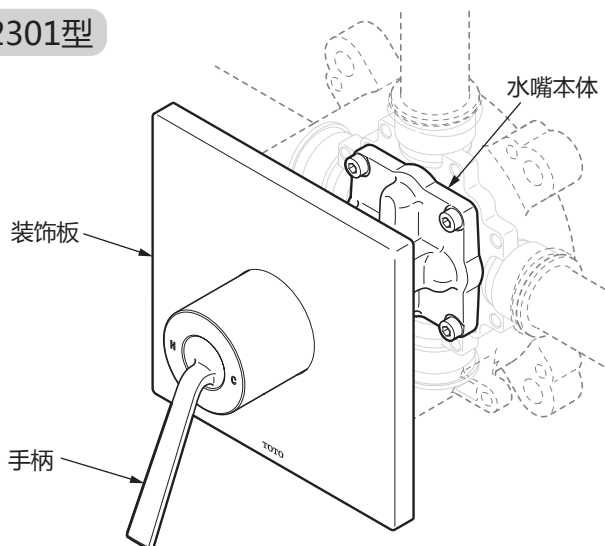
禁止



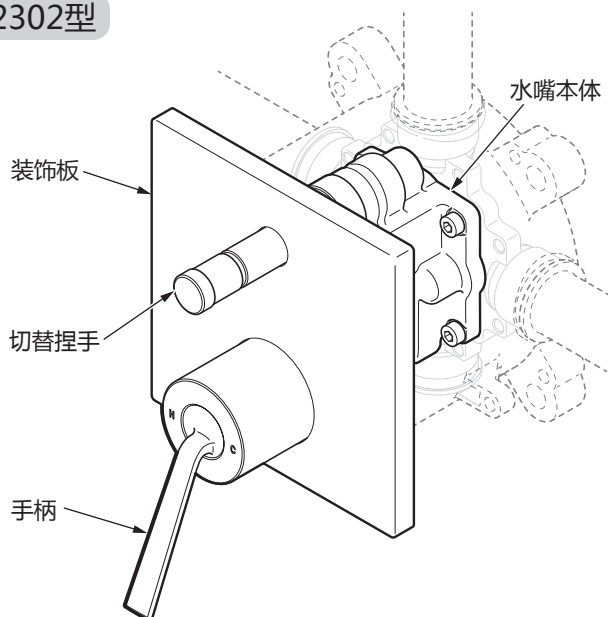
必须实行

# 各部位名称

TBP02301型



TBP02302型



# 使用条件与使用上的注意

## 使用条件

1. 供冷水\*热水压力：  
最低压力·····0.05MPa (流动压)  
最高压力·····1.0MPa (静压)  
推荐使用压力·····0.1-0.5MPa (流动压)  
检测压力·····0.4MPa (静压)
2. 供水温度在4°C ~ 90°C，建议使用热水温度60°C，供热水管请勿使用蒸汽。
3. 使用环境温度0°C以上。如果不高于0°C、水嘴会出现变形，冻裂现象。
4. 长时间不使用时，可导致水嘴内部及外部锈蚀不能使用等现象。
5. 如果您需要废弃本产品，请勿将其作为一般生活垃圾处理，请依照法规经由独立的回收体系进行合适的处理，恢复和回收。
6. 本说明书中的产品具有清洗功能。

## 使用上的注意与保养

### ⚠ 注意

1. 不得使用酸性洗涤剂，去污粉，抛光粉等含粗颗粒的洗涤剂和尼龙刷，否则可能会破坏镀层等。
2. 可使用软布蘸水擦拭，间或用机油或车用蜡浸布擦拭，但请勿接触树脂部件，否则可能失去光泽和产生锈蚀。
3. 建议不要长时间不使用，否则可能会导致水嘴内部以及外部锈蚀不能使用等现象。
4. 高压、大流量使用场合下，切替操作力会有变大的可能。此时，请通过调节手柄降低流量的方式进行操作。
5. 随着产品式样的不断更新，实物存在与图示不符的情况，但基本安装、使用原理相同。
6. 包装产品之前，因执行通水试验，可能会在产品内部留有残水，但是产品性能上毫无问题。

## 保 养

为长期保持产品的美观，请用户按以下方法维护保养。

1. 请经常用软布蘸水擦拭。
2. 当有污垢且较明显时，请用中性洗涤剂擦拭后充分进行水洗。

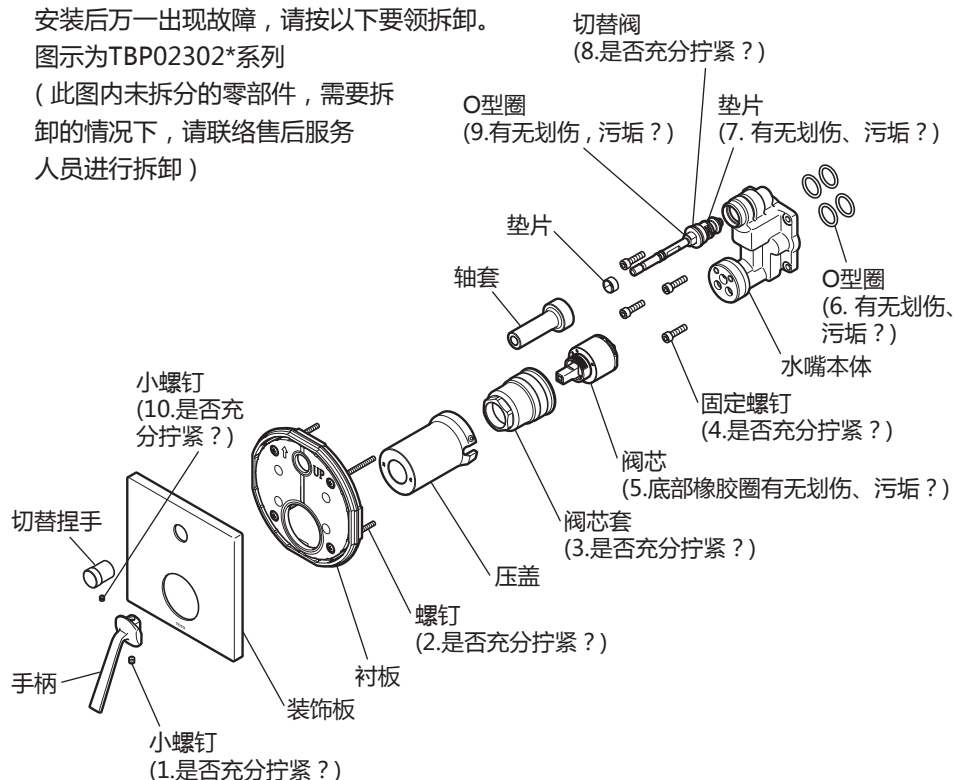
# 拆卸与检查

现象	检查项目
水流量小	5
漏水	3, 4, 5, 6, 7, 8, 9
切替不良	7, 8, 9, 10
开闭手柄晃动	1
切替手柄晃动	10
本体晃动	4
装饰板晃动	2

安装后万一出现故障，请按以下要领拆卸。

图示为TBP02302\*系列

(此图内未拆分的零部件，需要拆卸的情况下，请联络售后服务人员进行拆卸)



需要询问修理和使用时，  
请首先与购买的经销商或安装公司联系

经销商·安装公司

邮编

电话号码

—

经销商：东陶（中国）有限公司

全国售后服务电话：800-820-9787 (固定电话)

400-820-9787 (手机用户)

地 址：北京市朝阳区光华路1号 北京嘉里中心北楼1915室

网 址：www.toto.com.cn

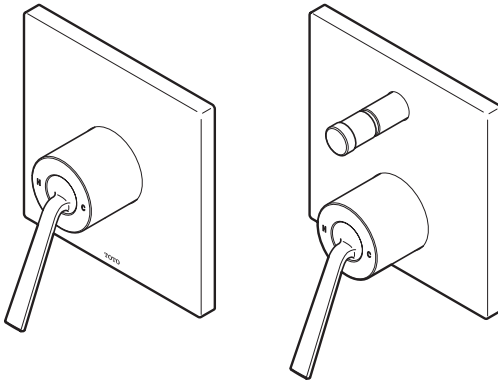
TOTO株式会社

TOTO网页 <http://www.toto.com/index.htm>



## Concealed Mixing valve

Model Number	TBP02301* TBP02302*
--------------	------------------------



### Introduction

Safety Precautions .....	1-3
Names of Parts .....	4

### How to Use

Use condition .....	5
Attentions in use and maintenance .....	5

### Maintenance

Dismantle and Inspection .....	6
--------------------------------	---

Information .....	Back cover
-------------------	------------



- ◆ Thank you for choosing TOTO Concealed Mixing valve. For the best performance, please read this manual carefully.
- ◆ Be sure to confirm that the name of dealer, the date of installation, and other necessary information has been entered the Warranty.
- ◆ Keep this manual in a safe handy place for future reference.

# Safety Precautions





(Be sure to follow all precautions for safety sake.)

Read the section on “Safety Precautions” thoroughly to ensure proper use.




- Read this manual carefully and keep it where it is easily available.
- This manual employs various indications in order to install the product safely and properly and to prevent harm to the customer and other people as well as, damage to their property. The indications and meanings are as follows.

Symbol	Meaning
 <b>WARNING</b>	This indication means that if the content in the column of this indication is ignored or handled wrongly, death or serious injury may occur.
 <b>CAUTION</b>	This indication means that if the content in the column of this indication is ignored or handled wrongly, injury or property damage may occur.





- The contents you must observe are classified into the following symbols; their meanings are explained.

	 Indicates things that you must not do as “Prohibited”. The left figure indicates that “Disassembly is Prohibited”.
	 Indicates things that you must do without fail as “Mandatory”. The left figure indicates to “Execute it without fail”.

\*The shape of the actual product may differ somewhat from drawings depending on the model number.

 <b>WARNING</b>	
 Prohibited	<b>Do not use the water hotter than 90°C.</b> If the water hotter than 90°C is used, the water may scald you and the life of the faucet may shorten causing it to break and leak water that may wet household articles and cause damage to your property.
	<b>Do not modify the product using parts other than those that constitute this product or by mounting other parts or dismantling original parts.</b> Otherwise, the product may not perform to expectations and leak water that may wet household articles and cause damage to your property.
 Disassembly Prohibited	<b>Do not disassemble parts other than those described in this manual</b> Otherwise, the water may scald or injure you and the product may break and leak water that may wet household articles and cause damage to your property.

 **WARNING**

 Prohibited	<p><b>Do not allow young children to use it on their own.</b> It may cause scalding and other injuries.</p>
	<p><b>Do not use the water discharge equipment at the same time as the shower.</b> The water pressure fluctuates due to use of another faucet, etc. and the water temperature rises during hot water use and may cause scalding.</p>
	<p><b>Do not pass extremely hot water (over 60°C) through the shower head.</b> The shower head may break which may cause scalding and other injuries. When taking a shower, use an appropriate temperature under 45°C in the interests of safety.</p>
 Disassembly Prohibited	<p><b>Do not disassemble the item in any way not described in this manual.</b> The product may break, which may cause scalding and other injuries or damage to your property by Do not wetting household goods due to water leakage.</p>
 Do Not Touch	<p><b>When using hot water at a high temperature, do not directly touch the bath spout and other parts from which hot water comes out.</b> The bath spout and other parts from which hot water comes out become extremely hot which may cause scalding.</p>
 Mandatory	<p><b>Before using the water, be sure to check by hand that the temperature is appropriate.</b> Hot water at a high temperature will come out which may cause scalding. Also, be careful when switching between the spout and shower or when the shower is spouting water, as the temperature may become high.</p>
	<p><b>Check the lever handle location before discharging water.</b> If you discharge water from the hot water side, hot water comes out and may scald you. When you use hot water, start first with cold water and then adjust the water temperature slowly to desired temperature.</p>
	<p><b>After using hot water, flow cold water for a while.</b> When you use the faucet the next time, the hot water that remains in the faucet comes out and may scald you.</p>



## CAUTION

**Do not subject the product to strong force or impact.**

Otherwise, the product may break and leak water that may wet household articles and cause damage to your property.

**Do not hit or operate the galvanized part with excessive force.**

The galvanized surface may split which may cause injuries. If by any chance the galvanized surface should split, request repairs immediately.

**Do not use cleaning agents other than neutral detergent.**

If you use cleaning agents other than neutral detergent, the faucet may discolor or break.

**Do not use the product in a place where freezing is likely occur.**

Parts may break which may cause damage to your property by wetting household goods due to water leakage.

Breakage caused by freezing will incur a fee even within the warranty period. If there is a risk of freezing, be sure not to allow the temperature around the faucet to drop below zero.

**Operate the lever handle slowly.**

If the valve is closed rapidly, an impact is applied to the piping with a dong sound and water may leak, wet household articles and damage property.

**If the product will not be used for a long time, close the water shutoff valve or the main valve of the piping.**

Unexpected accidents like water leaks may be caused.



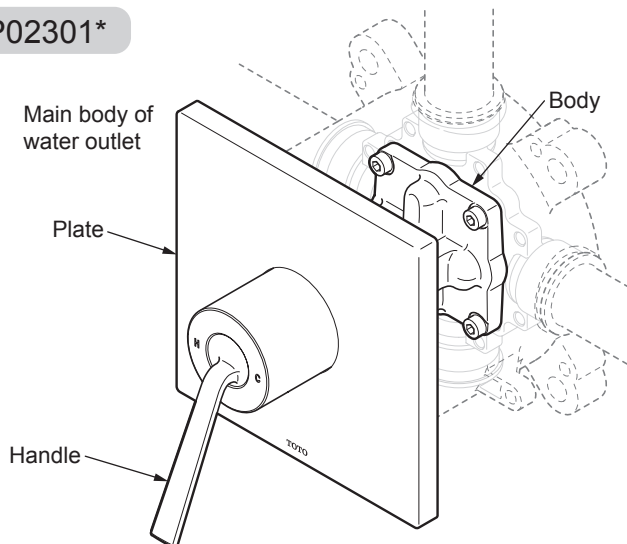
Prohibited



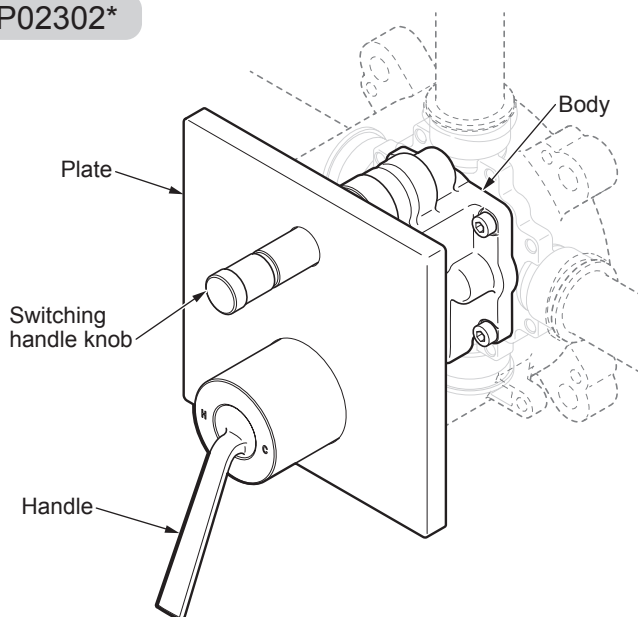
Mandatory

# Names of Parts

TBP02301\*



TBP02302\*



# Use condition

1. Cold water supply\*hot water supply pressure  
Minimum pressure.....0.05MPa (flow pressure)  
Maximum pressure.....1.0MPa (static pressure)  
Recommended Operating pressure.....0.1~0.5MPa (flow pressure)  
Test pressure.....0.4MPa (static pressure)
2. The Temperature for water supply is 4-90°C. Recommended hot water temperature 60°C, Do not use steam to supply hot water.
3. The ambient temperature for use is above 0°C. If the ambient temperature is lower than 0°C, the faucets will deform and crack from freezing.
4. Being out of use for a long time may result in internal and external rust to the faucets and being unable to be used.
5. If you want to scrap this product, do not treat it as you do for general household garbage. Please follow relevant statutes to have it treated, recovered and collected appropriately by an independent recovery system.
6. The product in these instructions has a cleaning function.

## Attentions in use and maintenance

### Attentions

1. Do not use any such detergent as acidic detergent and abstergent,polishing powder, etc. containing thick particles and nylon brush.Otherwise, the plating coat may be damaged, etc.
2. It is allowed to use a piece of soft cloth to wipe or use from time to time a piece of cloth immersed in machine oil or vehicle wax to wipe. However, do not contact with resin components.Otherwise, they may lose the gloss and become rusty.
3. It is suggested not to leave it unused for a long time. Otherwise, this may lead to nternal and external rust to faucets to such a degree that it cannot be used any more, etc.
4. Under the condition of high pressure and large flow rate, the switching operating force will become larger. At this point. Please abjust the handle to reduce the flow of operation.
5. With the product design being updated constantly, the physical object may not coincide with the figure. However, the basic principle for installation, use is the same.
6. Due to water supply inspection before ex-factory, there may be water remaining in the faucet.This is not product problem.

### Maintenance

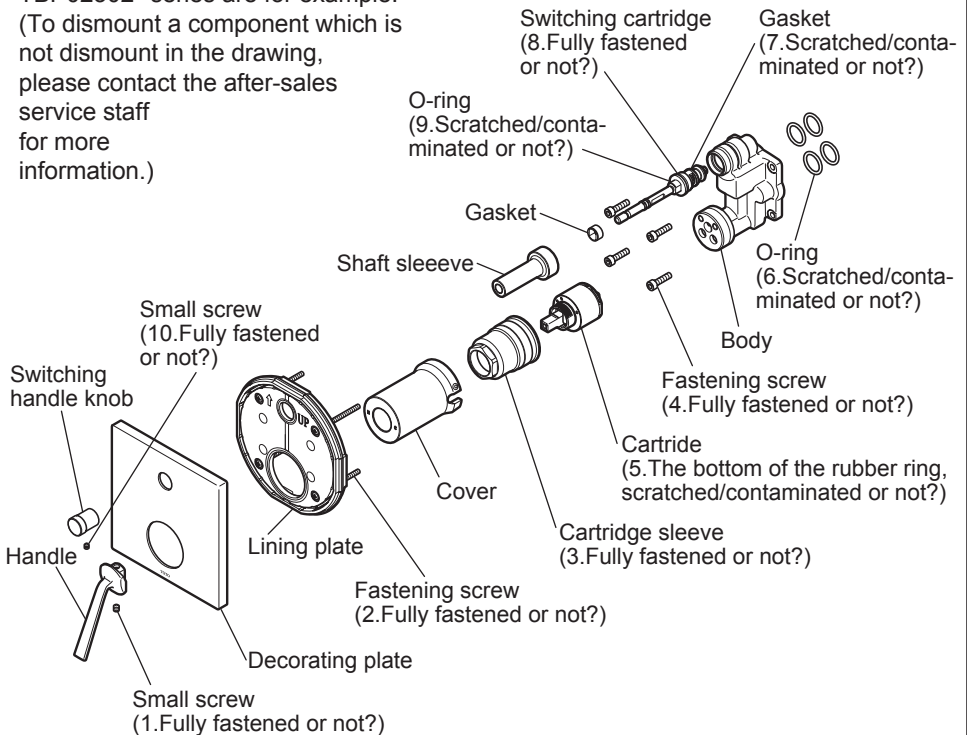
To maintain a beautiful appearance of the product, the user is requested to conduct maintenance and care in the following method.

1. Wipe with a piece of soft cloth frequently and use a piece of soft cloth dipped in water to wipe from time to time.
2. When dirt exists obviously, please use water to wash sufficiently after wiping with a neutral detergent.

# Dismantle and Inspection

Phenomenon	Inspection item
Small water flow	5
Water leakage	3, 4, 5, 6, 7, 8, 9
Poor switching	7, 8, 9, 10
Handle swing	1
Switching handle swing	10
Body swing	4
Decorative plate swing	2

In case of any fault after installation, please disassemble the product as shown below. TBP02302\* series are for example. (To dismantle a component which is not dismantled in the drawing, please contact the after-sales service staff for more information.)



**For advice on repairs and handling,  
first contact your dealer.**

Dealer:

Address:

Tel:

-

**TOTO Asia Oceania Pte. Ltd.**

Telephone: 65-6744-6955

FAX : 65-6841-0819

Address : 10 Eunos Road 8 #12-07 Singapore Post Centre Singapore 408600

Website : [asia.toto.com](http://asia.toto.com)

**TOTO KOREA LTD.**

전화번호 : (02)-3141-8236

FAX 번호 : (02)-3141-8240

주소 : 서울시 마포구 상수동 351-16번지 로이코빌딩 3층

홈페이지 : <http://www.totokr.co.kr>

**TOTO LTD.**

TOTO web site <http://www.toto.com/index.htm>