

TOTO

铜合金壁式单柄双控暗装水嘴面板

TBP02301型

TBP02302型

为了能够发挥产品功能，请细读本安装说明书的内容，并正确地安装。安装后，请务必向客户仔细地说明使用方法。

1 安全上的注意事项 (为了安全起见，请务必遵守。)

使用前，务请细读本「安全上的注意事项」的内容，并正确地安装。

- 为了安全，正确地使用本产品，确保使用者或其他人免受危害或财产损失，本说明书内使用各种标志。各标志与含义如下：
- 需遵守的内容通过以下标志加以区分、说明。

	警告 无视本标识错误使用时，可能会导致人的死亡或重伤。
	注意 无视本标识错误使用时，可能会导致受伤或损坏物品。

	表示不可行，“禁止”之意。左图表示“禁止拆解”。
	表示必须“强制”实行的内容。左图表示“必须实行”。

警告	
	冷热水管请勿装反。 否则可能因使用冷水侧时吐热水而造成烫伤。
	供热水温度不得超过90℃，建议供热水温度为60℃。供热水管请勿使用蒸汽。 否则可能会造成产品使用寿命缩短、损坏、烫伤以及因发生漏水而造成弄湿家具等财产损失。
	非专业维修人员绝对不能进行说明书记载检修项目外的产品拆解、修理和改造。 否则，可能因产品受损导致烫伤、受伤，或因漏水而引起家具浸湿等财产损失。

注意	
	不要施加强力或冲击。 否则可能会造成破损，以及因发生漏水而造成的家具浸湿等财产损失。
	请勿在室外或可能结冰的地方使用。 否则可能会造成破损，以及因发生漏水而造成的家具浸湿等财产损失。
	清扫滤网时，必须关闭配管部的总开关后进行。 另外，必须确认供热水侧滤网为冷却状态。 否则会因流出高温热水造成烫伤以及发生漏水而造成弄湿家具等损坏财产。
	请确认固定功能部的螺丝确实拧紧。 埋入部与功能部之间产生间隙时，可能会发生漏水而造成弄湿家具等损坏财产。

2 使用条件与施工上的注意

使用条件

- 供冷水*热水压力：
 - 最低压力………0.05MPa (流动压)
 - 最高压力………1.0MPa (静压)
 - 推荐使用压力………0.1-0.5MPa (流动压)
 - 检测压力………0.4MPa (静压)
- 供水温度在4℃~90℃，建议使用热水温度60℃，供热水管请勿使用蒸汽。
- 使用环境温度0℃以上。如果不高于0℃、水嘴会出现变形，冻裂现象。
- 长时间不使用时，可导致水嘴内部及外部锈蚀不能使用等现象。
- 如果您需要废弃本产品，请勿将其作为一般生活垃圾处理，请依照法规经由独立的回收体系进行合适的处理、恢复和回收。
- 本说明书中的产品具有清洗功能。

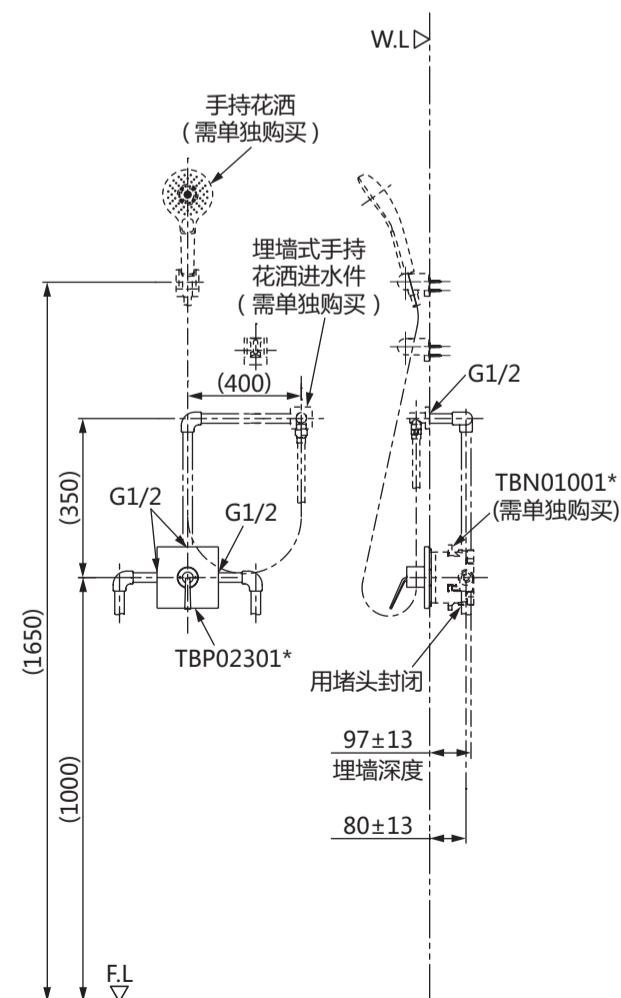
3 零件的确认

务请确认有无下列零件。

水嘴本体部			其他	
TBP02301型			螺钉 六角扳手	安装说明书 使用说明书
TBP02302型			<div style="border: 1px dashed black; padding: 5px; display: inline-block;"> 务必交给客户 </div>	

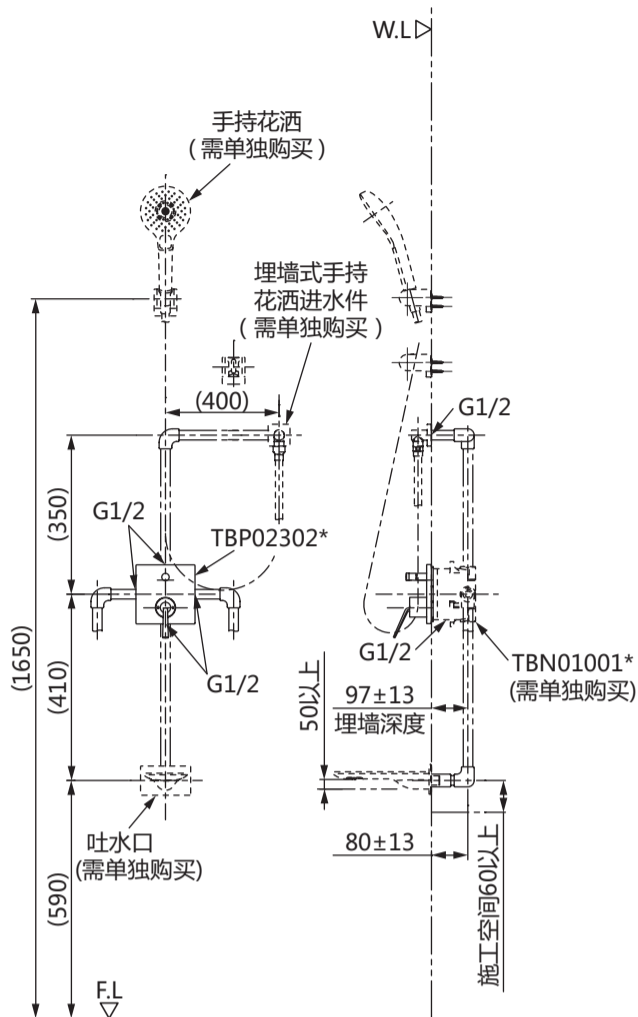
4-1 完成图

TBP02301* 铜合金壁式单柄双控暗装水嘴面板与「TOTO」的其他产品配合示意图



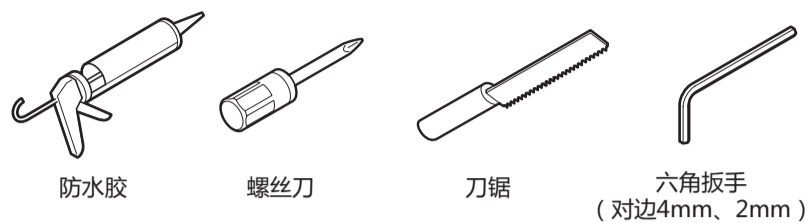
注:上纪尺寸单位为mm; () 内尺寸为参考尺寸。
※此产品必须与TBN01001*配套使用。

TBP02302* 铜合金壁式单柄双控暗装水嘴面板(可转换)
与「TOTO」的其他产品配合示意图



注:上纪尺寸单位为mm; () 内尺寸为参考尺寸。
※此产品必须与TBN01001*配套使用。

安装前准备的工具

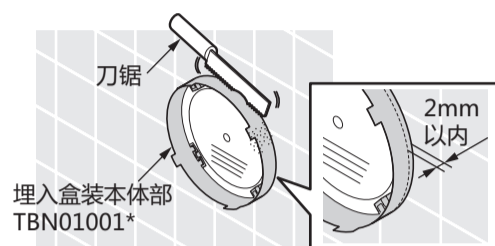


安装前确认

- 确认供水管已关闭,并确认供水管已清洗干净。
- 仔细阅读施工说明书并按照说明书的安装要领来进行安装。

一、水嘴安装前的准备

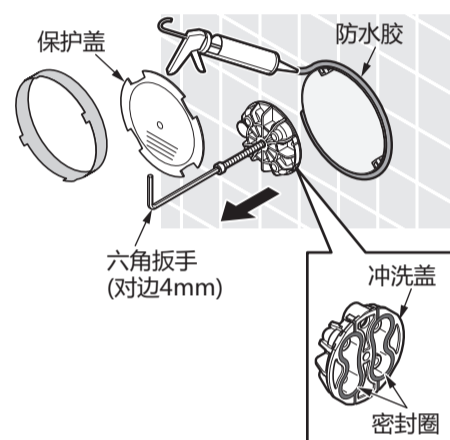
1. 首先进行冷热水供水管路的清洗及耐压检查。
2. 使用刀锯将埋入盒装本体部凸出墙面的部分进行切除,需要保证树脂套凸起边缘与墙面在2mm以内。(边缘也不能凹陷于墙面以内)。



注意

- 埋入盒装本体部外壳切割时要注意切边整齐。
- 保护盖切割时可能被划伤,不影响整个产品的使用。

3. 在埋入盒装本体部与墙面的缝隙中均匀涂上防水胶,且胶面不能凸出墙面。
4. 取下保护盖,再用六角扳手拆下冲洗盖。

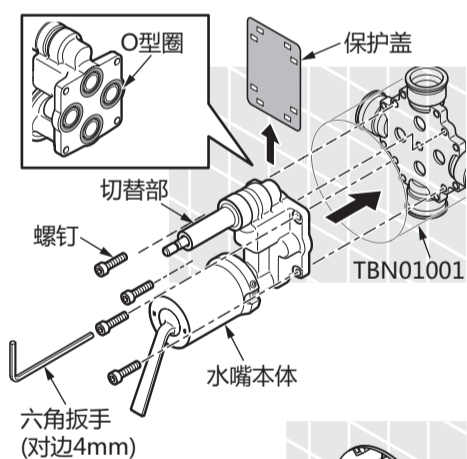


二、水嘴本体的安装

1. 取出水嘴本体,取下保护盖。
2. 保持切替部朝上,将面板本体部装入埋入盒装本体部中,并用螺钉充分紧固。(无切替接手场合下,主体上的“UP”向上方向安装)

注意

- 取下保护盖时注意螺钉不要掉落丢失,O型圈不能脱落。
- 水嘴本体的螺钉请用产品包装内的六角扳手紧固。
- 水嘴本体的安装方向不能上下颠倒。



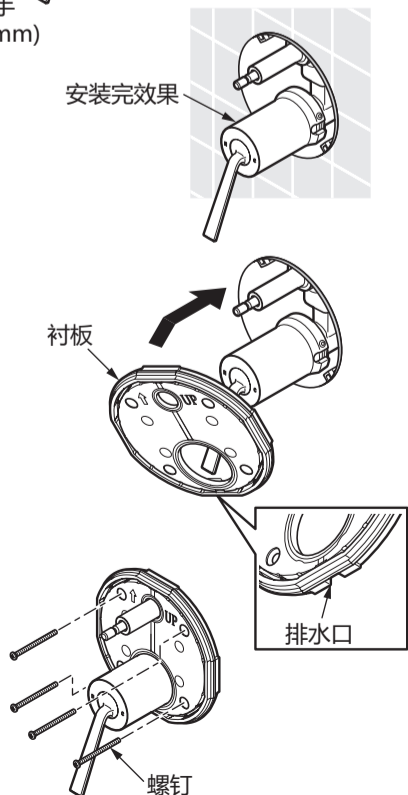
安装完效果

三、衬板及装饰板的安装

1. 按照衬板上“UP”指示向上状态将衬板套入水嘴本体上。
2. 用螺钉将衬板固定在埋入盒装本体部上。

注意

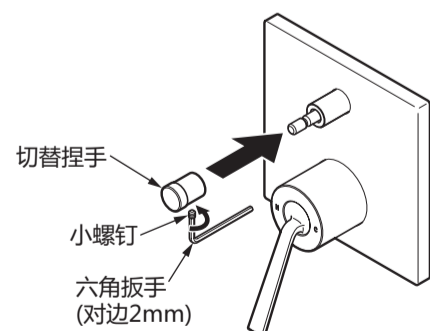
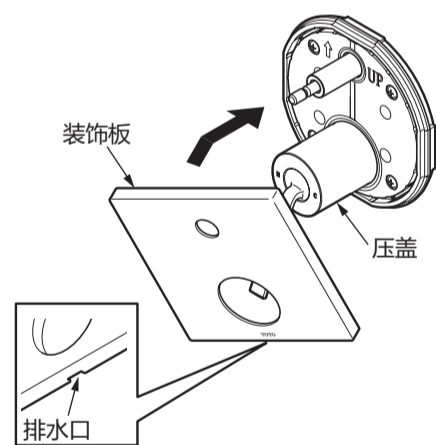
- 安装衬板前要做耐压检查,并确认冷水热水止水栓是否安全打开。
- 衬板下方有排水口,因此衬板方向不能上下颠倒安装。
- 衬板上有发泡密封胶条及下方有排水口,因此衬板边缘不要使用防水胶。
- 螺钉需要手动拧紧,不可用电动工具猛力拧紧。
- 螺钉紧固时必须压实衬板,衬板与墙面没有缝隙。



3. 将装饰板的排水口朝下,穿过压盖安装在衬板上。
4. 装饰板与墙面之间的缝隙保持在1mm以内。

注意

- 安装装饰板时注意不要划伤压盖。
- 装饰板的边缘不可涂防水胶,因为装饰板下方有排水口。



安装完效果

TOTO

Concealed Mixing valve

TBP02301*

TBP02302*

Install the product according to this Installation Manual so that the product fulfills its function. When the installation is over, fully explain how to use the single handle faucet to the customer.

1 Safety Precautions (Be sure to follow all precautions for safety sake.)

Please read these Safety Precautions before installation work in order to install the product properly.

•This manual employs various indications in order to install the product properly and to prevent harm to the customer and other people, as well as damage to their properties. The indications and meanings are as follows:

•The contents you must observe are classified into the following symbols; their meanings are explained.

! WARNING

This indication means that if the content in the column of this indication is ignored or handled wrongly, death or serious injury may occur.

! CAUTION

This indication means that if the content in the column of this indication is ignored or handled wrongly, injury or property damage may occur.



Indicates things that you must not do as "Prohibited". The left figure indicates that "Disassembly is Prohibited".



Indicates things that you must do without fail as "Mandatory". The left figure indicates to "Execute it without fail".

! WARNING

Do not connect the cold water pipe and the hot water pipe reversely.

Even if you try to turn on the cold water, the hot water comes out and may scald you.



Prohibited

Do not use supply water at a temperature higher than 90°C.

If you use the water at a temperature higher than 90°C, the water may scald you and the life of the faucet may shorten causing it to break and leak water that may wet household articles and cause damage to your property.

! WARNING



Disassembly Prohibited

Do not disassemble or remodel the product with other items than what are described in this manual.

Otherwise, the water may scald or injure you and the product may break and leak water that may wet household articles and cause damage to your property.

! CAUTION



Prohibited

Do not subject the product to strong force or impact.

Otherwise, the product may break and leak water that may wet household articles and cause damage to your property.

Do not use the product in any place where freezing can be expected.

Otherwise, parts may break and leak water that may wet household articles and cause damage to your property.



Mandatory

When cleaning the filter, be sure to close the main valve at the piping part first. Also, make sure that the filter on hot water side is not so hot.

Hot water at a high temperature may come out and scald you or cause damage to your property due to water leakage.

Firmly tighten the screws for fixing the functional part.

If a gap is made between the embedded part and the functional part, property damage due to water leakage may occur.

2 Use condition and attentions in construction

Use condition

- Cold water supply*hot water supply pressure
Minimum pressure.....0.05MPa (flow pressure)
Maximum pressure.....1.0MPa (static pressure)
Recommended Operating pressure.....0.1~0.5MPa (flow pressure)
Test pressure.....0.4MPa (static pressure)
- The Temperature for water supply is 4-90°C. Recommended hot water temperature 60°C. Do not use steam to supply hot water.
- The ambient temperature for use is above 0°C. If the ambient temperature is lower than 0°C, the faucets will deform and crack from freezing.
- Being out of use for a long time may result in internal and external rust to the faucets and being unable to be used.
- If you want to scrap this product, do not treat it as you do for general household garbage. Please follow relevant statutes to have it treated, recovered and collected appropriately by an independent recovery system.
- The product in these instructions has a cleaning function.

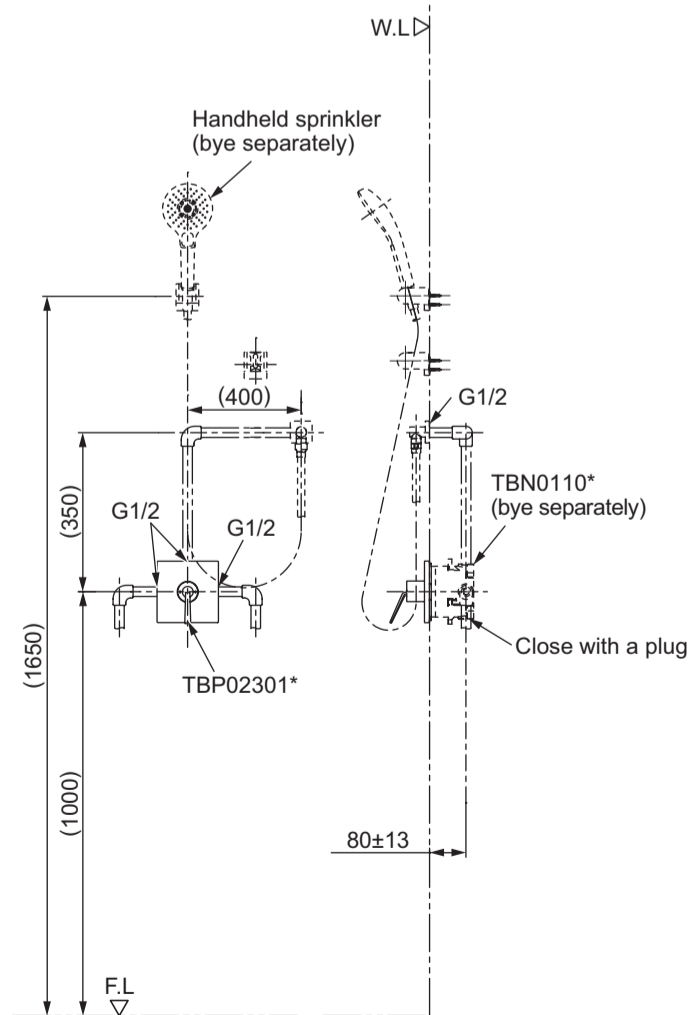
3 Identification of Parts

Identify the following parts.

Faucet Body			Others	
TBP02301*			Screw	
TBP02302*			Hand it over to the customer without fail.	
Screw		Lining plate		

4-1 Completion Drawing

TBP02301* "GR" Concealed Mixing Valve combined with other TOTO products

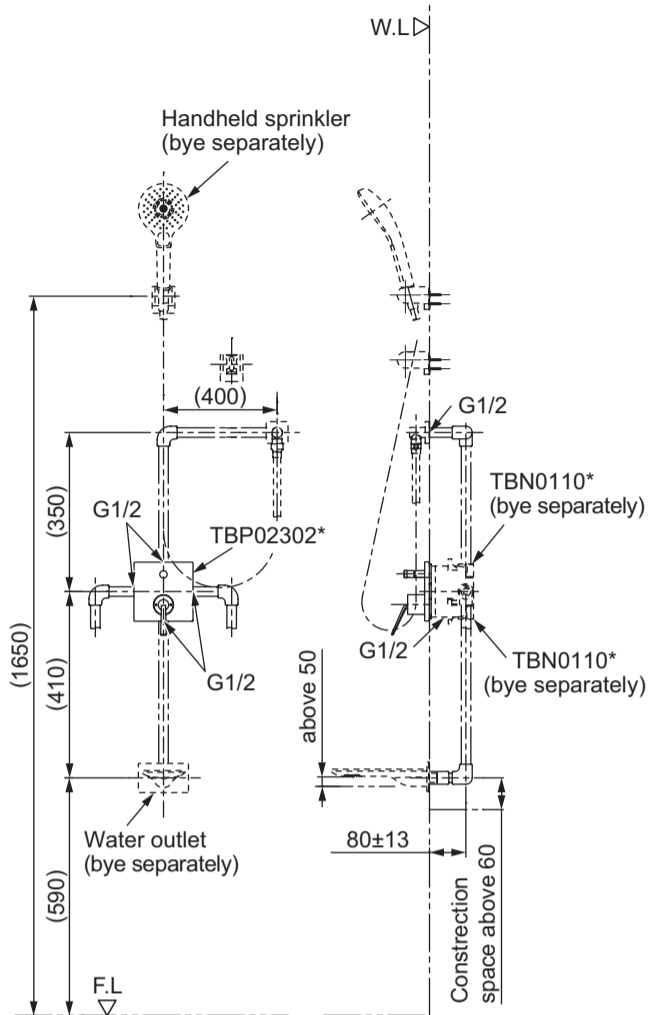


Note: The above dimensional unit is mm.

The dimensions in () are reference ones.

※This product must be used in an ancillary manner with the TBN01001*

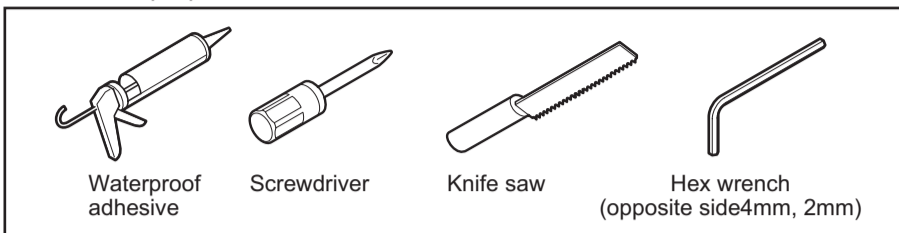
TBP02302* Concealed Mixing Valve combined with other TOTO products



Note: The above dimensional unit is mm.
The dimensions in () are reference ones.
※This product must be used in an ancillary manner with the TBN01001*

Faucet installation

Tools to be prepared before installation

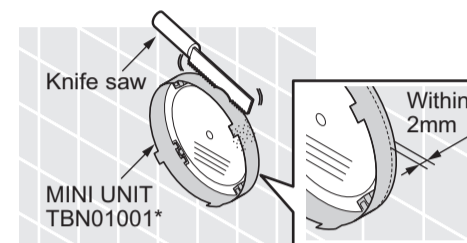


Confirmation before installation

- Confirm that the water supply pipe has been closed and the water circuit has been cleaned before installation.
- Read the instructions for construction carefully and install according to the main points for installation in the instructions.

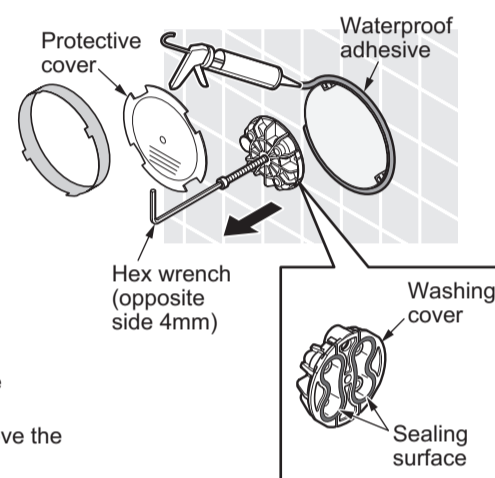
I. Preparations before faucet installation

1. Firstly, clean the cold and hot water supply pipelines and make a pressure resistance inspection.
2. Remove the shell of the MINI UNIT by using a knife saw. It is necessary to ensure that the convex edge of the resin sleeve is within 2mm with wall. (The edge cannot be recessed in the wall either).



Attention

- In cutting the shell of the MINI UNIT, pay attention to the edge that should be neat.
- In removing, the protective cover may get scratched and this does not influence the use of the whole product.



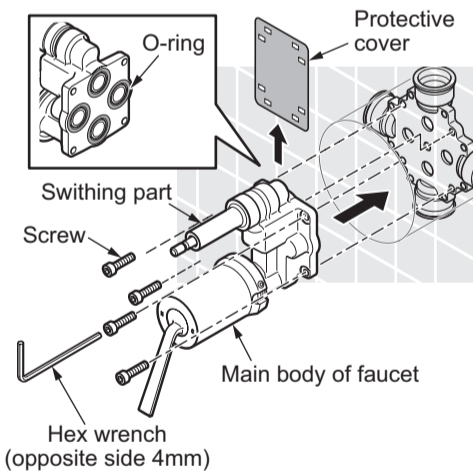
3. In the case of the MINI UNIT and the wall of the gap evenly coated with waterproof adhesive, and adhesive surface can not be convex the wall.
4. Remove the protective cover and remove the washing cover with a Hex wrench.

II. Installation of the main body of faucet

1. Take out the main body of faucet and remove the protective cover.
2. Install the switching part of the main body of faucet in the faucet buried in wall upwards and fasten with screws sufficiently. (Have no switching handle knob, the "UP" on the main body is concealed in installation toward the upper side.)

Attention

- In removing the protective cover, take care not to allow the screws to drop and get lost. No O-ring shall fall off.
- Please use the hex wrench in the product package to fasten the screws for the main body of faucet.
- The installation direction of the main body of faucet must not be turned upside down.

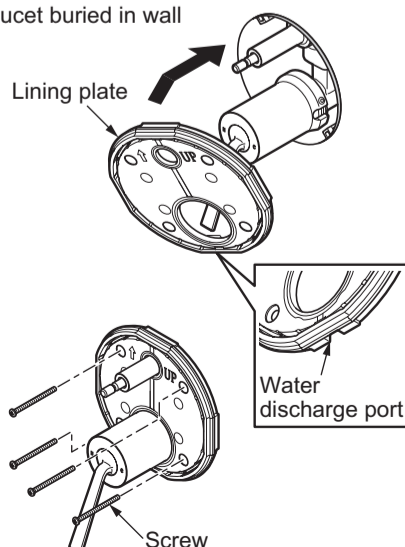


III. Installation of lining plate and decorating plate

1. Put the lining plate on the main body of faucet according to the "UP" direction indication on the lining plate.
2. Use screws to secure the lining plate onto the faucet buried in wall.

Attention

- Make a pressure resistance inspection before installing the lining plate and confirm if the cold and hot water stop cock is safely opened.
- The water discharge port is located under the lining plate. Therefore the lining plate direction cannot be turned down for installation.
- On the lining plate, foam sealing adhesive tape is available and a water discharge is available under it. Therefore, no waterproof adhesive should be used on the lining plate edge.
- The screws need to be tightened manually. Do not use an electric tool to tighten with strong force.
- The lining plate must be compacted in tightening the screws. There is no gap between the lining plate and wall.



3. Make the water discharge port of the decorating plate face down and pass through the spool for installation in the lining plate.
4. The gap between the decorating plate and the wall surface should be kept within 1mm.

Attention

- In installing the decorating plate, take care not to scratch the cartridge sleeve.
- No waterproof adhesive shall be applied on the edge of the decorating plate because the water discharge port is located under it.

