

TOTO

不锈钢台式单柄双控洗面器水嘴

TLP02301型 · TLP02303型

TLP02304型 · TLP02306型







TLP02307型 · TLP02308型




为了充分发挥产品功能，请细读本安装说明书的内容，并正确地安装。安装后，务请向客户仔细地说明使用方法。

1 安全上的注意事项 (为了安全起见，请务必遵守)

安装前，务请细读本「安全上的注意事项」的内容，并正确地安装。

- 为了安全、正确的使用产品，防止给您或者他人的人身及财产安全造成损失，此说明书采用了许多标志。各标志与含义如下：
- 需遵守的内容通过以下标志加以区分、说明。

 警告	这一标志表示如果无视该标志栏的内容，进行错误操作的话，可能导致人员的死亡或重伤的。	 	表示不可行，“禁止”之意。左图表示“禁止拆解”。
 注意	这一标志表示如果无视该标志栏的内容，进行错误操作的话，可能导致人员伤害或物品损失。	 	表示必须“强制”实行的内容。左图表示“必须实行”。

 警告	
 禁止	<p>冷热水管请勿装反 否则可能因使用冷水时吐热水而造成烫伤。</p> <p>供热水温度不得超过90°C，建议供热水温度为60°C。供热水管请勿使用蒸汽。 否则可能会造成产品使用寿命缩短、损坏、烫伤以及因发生漏水而造成弄湿家具等财产损失。</p>
 禁止拆解	除了本说明书内所记载的项目以外，禁止拆解 否则可能造成产品破损、烫伤·受伤，以及由于漏水造成家庭财产污损。

2 规格

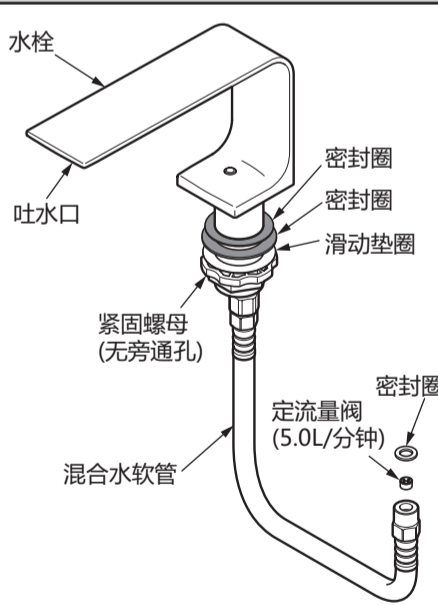
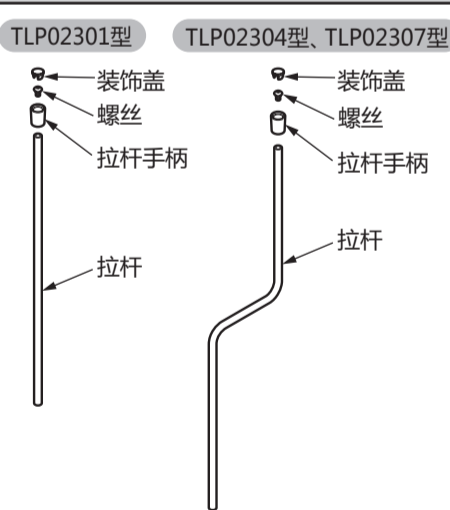
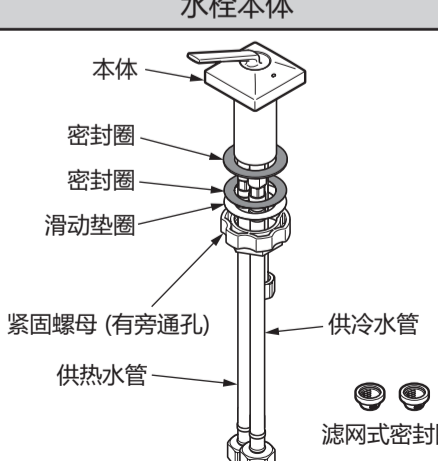
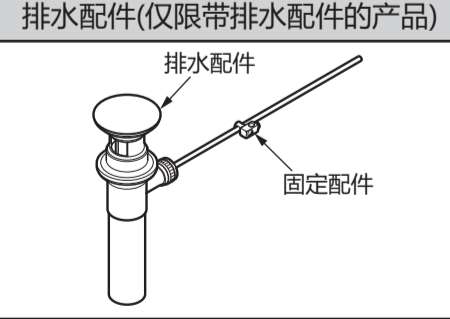
供冷水·供热水压力	最低水压	0.05 MPa (流动压)
	最高水压	1.0 MPa (静压)
	推荐使用压力	0.1~0.5 MPa (流动压)
供水温度	4~90°C, 建议供热水温度60°C.	
使用环境温度	1~40°C	
用途	普通家庭用	
吐水流量	5.0升/分钟 内置定流量阀	
水效等级	1级	

3 安装前须知

- 为确保正常使用，冷水供水压力必须高于或等于热水供水压力。如果必须给热水侧加压时，热水侧压力必须低于冷水水压。
- 为了减少热水供给设备到产品间的管道阻力，请实行最短距离的排管。水管必须包裹保温材料。
- 使用燃气热水器供热时，因燃气热水器使用条件、供冷水压力的不同，可能会发生燃气热水器不能点火的情况。
- 为了易于进行水势的调节和器具的检查，务必另行准备进水角阀。
- 包装产品之前，因执行通水试验，可能会在产品内部留有残水，但是产品性能上毫无问题。
- 安装进水角阀后，请务必冲洗干净供冷水管和供热水管内的垃圾。否则可能因垃圾堵塞导致吐水量减少或吐水状态紊乱。

4 零件的确认

务请确认有无下列零件。

水嘴部	拉杆部(仅限带排水配件的产品)
 <p>水栓 吐水口 密封圈 密封圈 滑动垫圈 紧固螺母(无旁通孔) 混合水软管 定流量阀(5.0L/分钟) 密封圈</p>	<p>TLP02301型 TLP02304型、TLP02307型</p>  <p>装饰盖 螺丝 拉杆手柄 拉杆</p>
<p>水栓本体</p>  <p>本体 密封圈 密封圈 滑动垫圈 紧固螺母(有旁通孔) 供冷水管 供热水管 滤网式密封圈</p>	<p>排水配件(仅限带排水配件的产品)</p>  <p>排水配件 固定配件</p> <p>其他</p> <p>务必交给客户</p> <p>安装说明书 使用说明书</p>

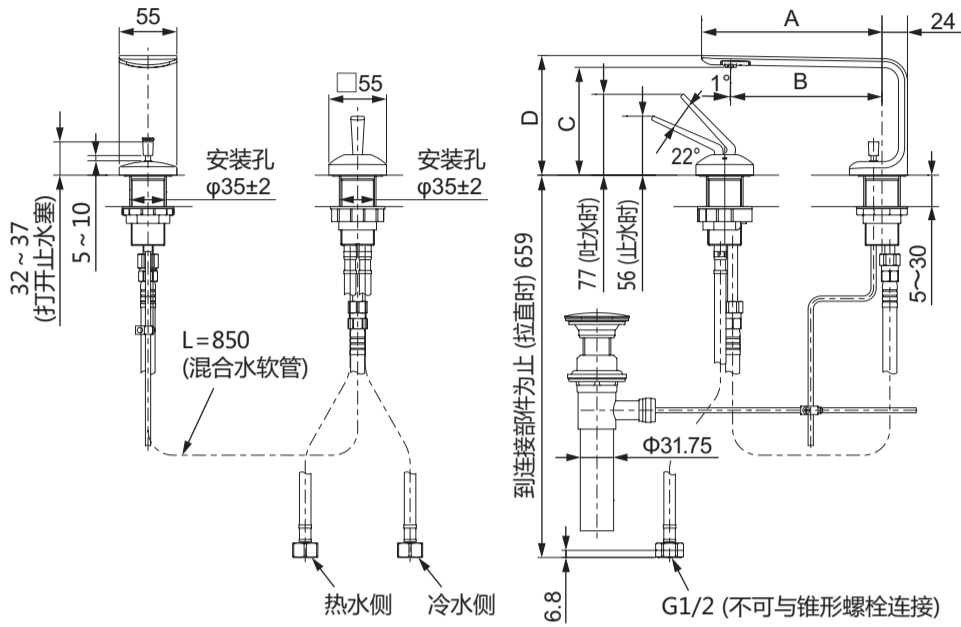
※因产品型号不同，图片与实物可能稍有差异。

接下页

5 完成图

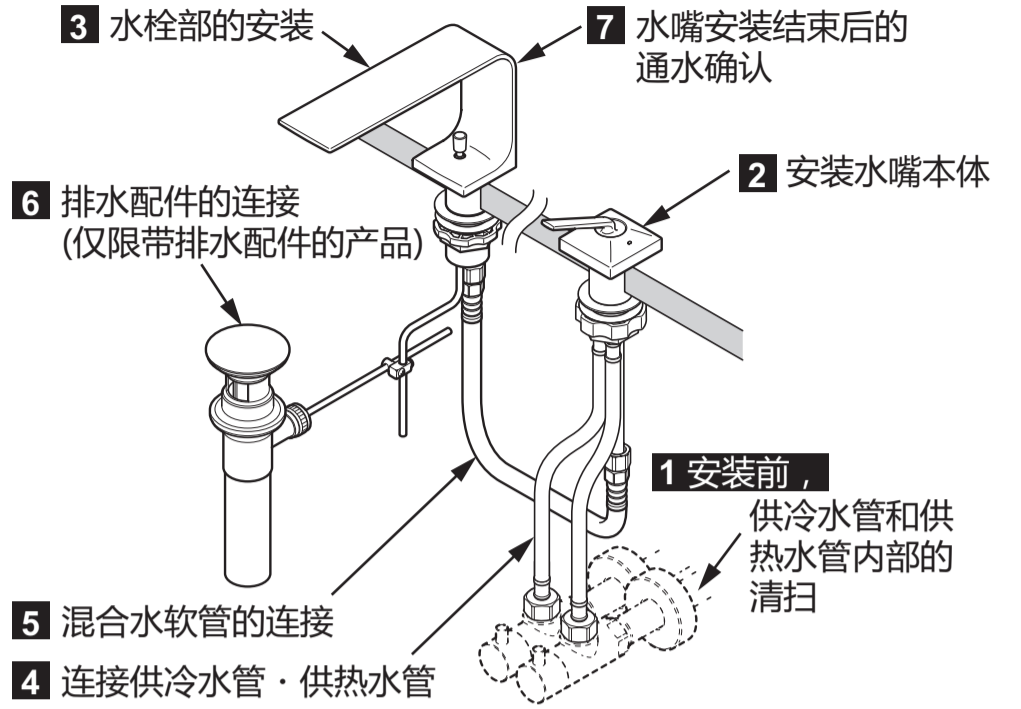
※因产品型号不同，图片与实物可能稍有差异。

(单位: mm)



型号	TLP02301型 TLP02303型	TLP02304型 TLP02306型	TLP02307型 TLP02308型
A	172	172	192
B	144	144	164
C	103	163	213
D	114	174	224

6-1 安装步骤



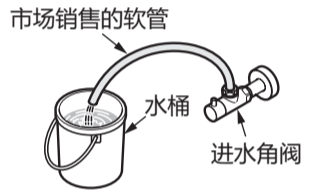
1 安装步骤 供冷水管和供热水管内部的清扫

安装水龙头前应安装进水角阀
然后请务必冲洗干净供冷水管和供热水管内的垃圾或沙土等。

重要

注意

否则因供冷水管和供热水管内的垃圾或沙土堵塞滤网而导致发生下列情况。
①吐水量少
②难以调节温度

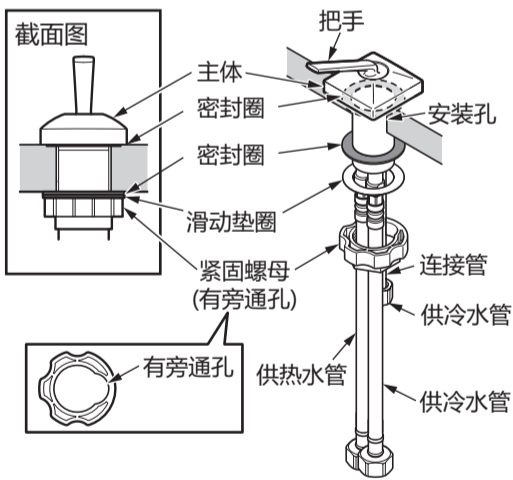


先准备市场销售的软管和水桶等，再将该软管等连接到进水角阀，慢慢地打开进水角阀，以便冲洗供冷水管和供热水管内的垃圾或沙土等。

6-2

2 安装水栓本体

- ①清除安装孔周围的污垢。
- ②将供热水软管和供冷水软管均插入安装孔中。
- ③将密封圈、滑动垫圈以及紧固螺母(有旁通孔)依次穿过供热水软管和供冷水软管，然后将连接管的螺母对准旁通孔并穿过而固定。

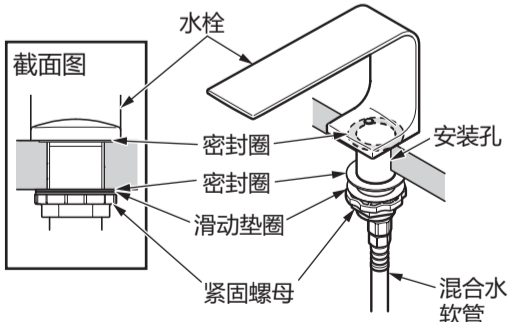


注意

请将水嘴本体固定于安装孔的中心

3 水嘴头部的安装

- ①清除安装孔周围的污垢。
- ②将密封圈、滑动垫圈以及紧固螺母(无旁通孔)穿过软管后从下方固定水嘴。



注意

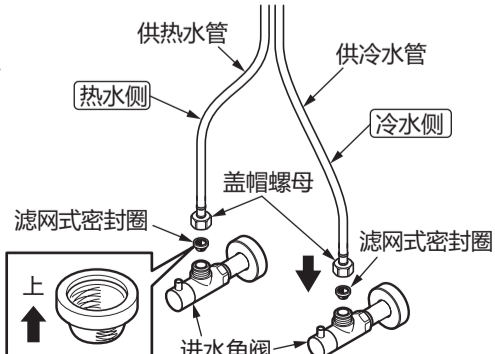
请将水嘴本体固定于安装孔的中心

4 供冷水管和供热水管的连接

将供冷水管和供热水管确实地固定在进水角阀上。

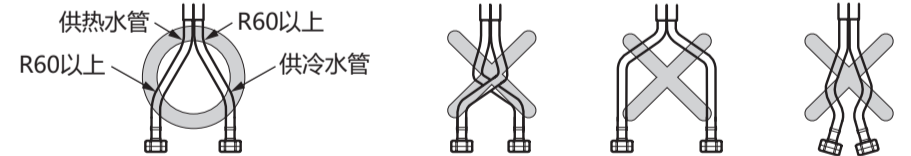
注意

- 为了防止使供冷水管和供热水管松开，确实地固定供冷水管和供热水管，直至旋紧为止。
- 注意滤网式密封圈的方向。



安装供冷水管和供热水管时的注意事项

- 请注意避免用力过大弄弯管道而折断。管道的最小弯曲半径为60mm。弯曲半径小于最小弯曲半径时，因供水管道过度弯折，可能导致流量不足或破损、漏水的现象发生。
- 请勿将供水管道在水嘴安装面处过度弯折。
- 供水管道长度不足时请勿强行安装。否则管道可能会折断。
- 安装时请勿缠绕供水管。外部加强层的磨损会导致供水管损伤，进而引起各项性能下降。



5 混合水软管的连接

注意



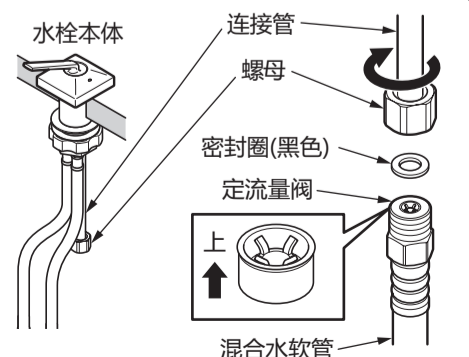
请勿旋转混合水软管侧的螺母。否则因软管扭曲而造成漏水。



旋转连接管和螺母，以连接混合水软管。

注意

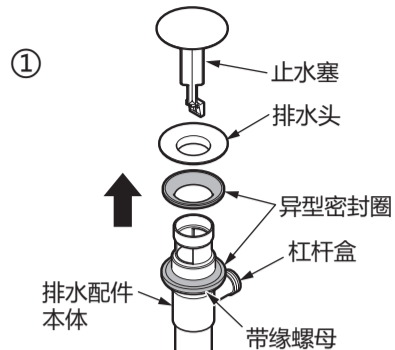
- 请注意不要丢失密封圈和定流量阀。
- 从混合水软管拆卸定流量阀时，请注意其安装方向，重新安装时请注意不要装反。
- 连接时，请勿旋转混合水软管侧的螺母。



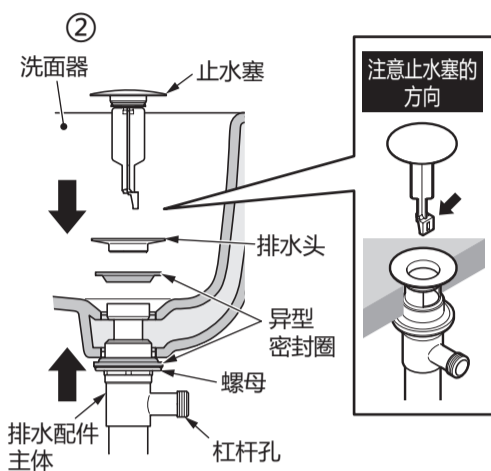
接下页

6-1 排水配件的连接

① a.从排水配件本体上拆下止水塞、排水头以及异型密封圈



② a.从下方将排水配件本体穿过洗面器的排水口。



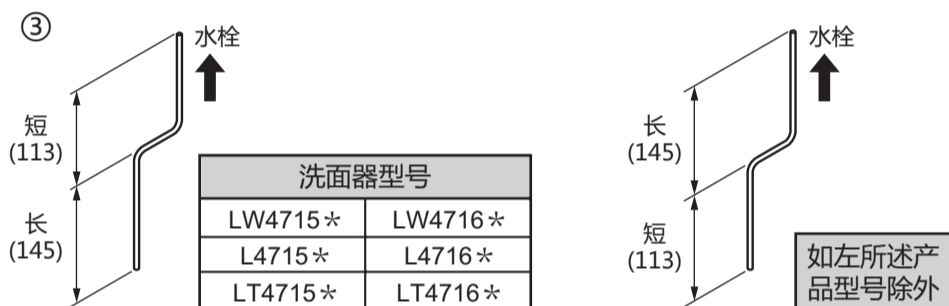
b.如图所示方向按异型密封圈、排水头的顺序依次固定在排水配件本体上。

c.将杠杆盒朝着水嘴侧，用螺母拧紧而固定，以免破坏洗面器。

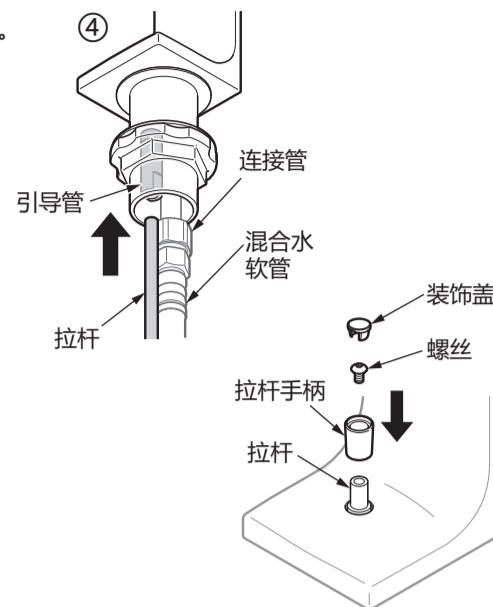
d.边注意止水塞的方向，边穿过排水配件本体

③ TLP02304型、TLP02307型
边注意方向边安装拉杆。

(单位:mm)

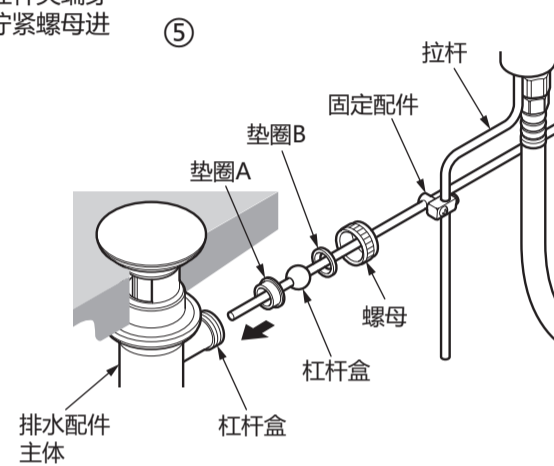


④ a.从水嘴本体下方将拉杆插入引导管内。
b.按拉杆、拉杆手柄、螺丝、装饰盖之顺序进行安装。



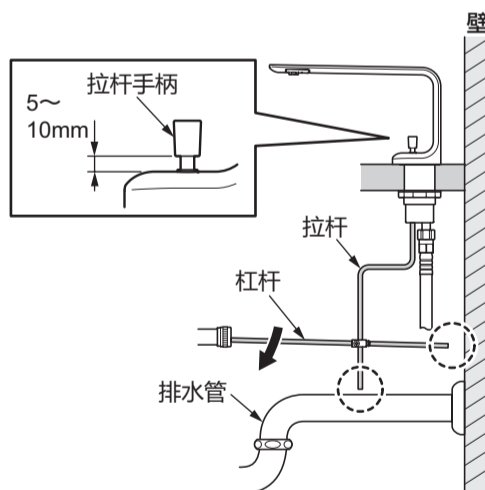
⑤ a.在杠杆靠近提拉杆的一侧穿过垫圈B、螺母、固定配件，靠近排水侧穿过垫圈A

b.提拉杆穿过固定配件后，将杠杆尖端穿过杠杆盒上的止水塞孔，并拧紧螺母进行固定。



6-2 排水配件的连接 (接上页)

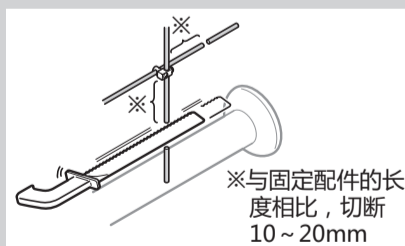
⑥ a.调节拉杆的位置，直至水嘴和按钮间的间隙为5~10mm为止。



b.在a.的状态下将横杆下降到底，接着拧入固定配件的螺丝，以固定横杆和拉杆。

注意

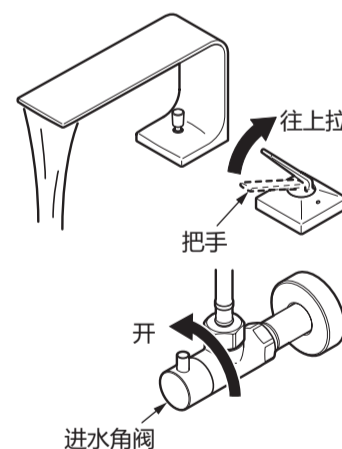
横杆或拉杆与墙壁或排水管触碰时，可按需截短拉杆和杠杆



7 水嘴安装后的通水确认

吐水确认

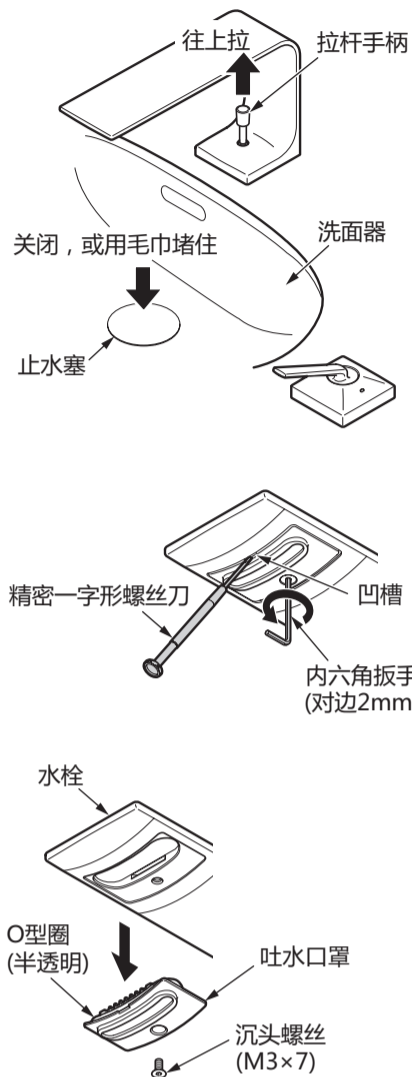
安装结束后，打开管道总阀、水嘴，以确认吐水口是否正常吐水。同时请确认连接部件有无漏水。



请在完全打开 进水角阀的状态下使用。

7.1 吐水口部的清洁方法。

吐水口部的保养方法



1. 关闭洗面器的止水塞。

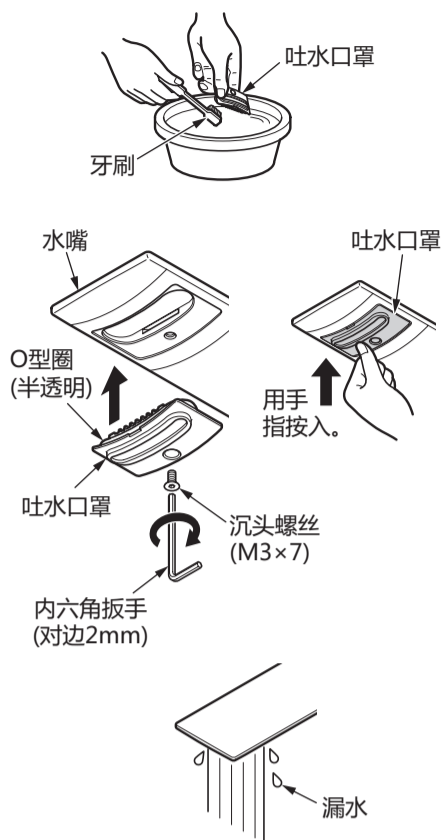
关闭止水塞，以免丢失零件，或用毛巾堵住止水塞。

2. 用内六角扳手(对边2mm)松开沉头螺丝而拆下。

3. 将精密一字形螺丝刀插入放水口盒与水龙头之间的凹槽，拆下吐水口罩。

请注意不要丢失吐水口罩的O型圈。

7.2



4. 用牙刷等清理堵住整流网的垃圾或污垢。

5. 将吐水口罩安装在水嘴后用沉头螺丝固定。

用手指将吐水口罩安装在水嘴上后，拧紧固定螺丝。

6. 安装结束后，检查吐水口部有无漏水。吐水口罩的安装不正确时，请重新安装吐水口罩。

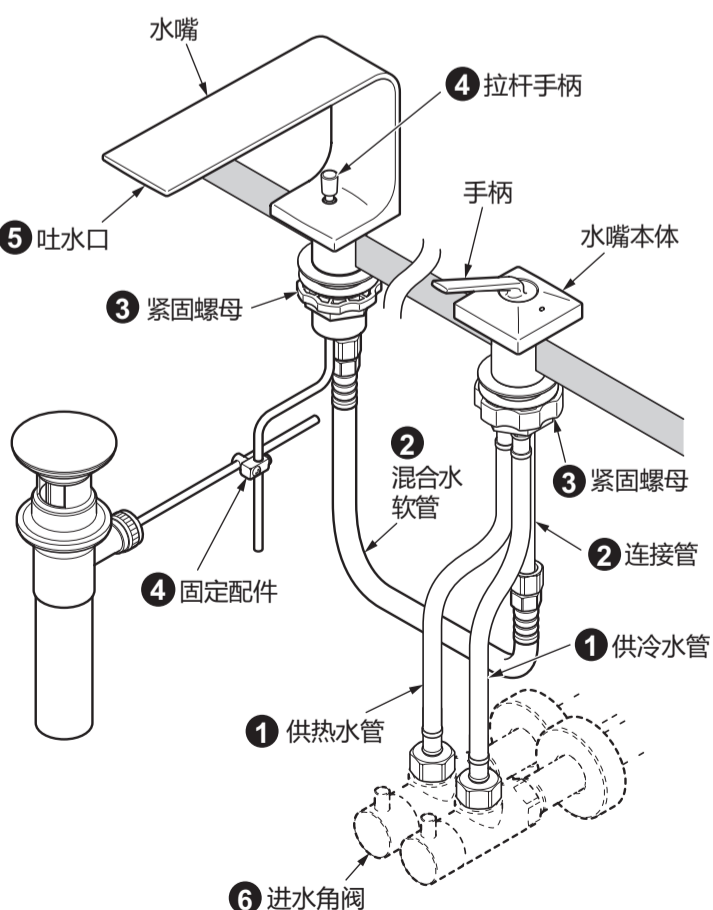
8 使用上的注意事项

虽然使用中可能会出现下列现象，但是**这不是故障**。请仔细向客户说明。

现象	说明
与开始使用时相比，使用一段时间后，把手的操作感觉有些紧。	这是使用后因逐步适应内部零件，产品处于稳定状态而出现一种现象。这不是故障。

9 检查项目

安装结束后，请确认下列事项。



漏水的确认

请确认有无漏水。

❶ 供冷水管·供热水管与进水角阀是否正确安装？

↳ 6.2-4 请参见「供冷水管和供热水管的连接」之项。

❷ 混合水软管是否确实连接到连接管？

↳ 6.2-5 请参见「混合水软管的连接」之项。

晃动的确认

确认有无晃动。

❸ 是否确实拧紧水嘴本体和水嘴部的紧固螺母？

↳ 6.2-2 请参见「安装水嘴本体」之内容。

↳ 6.2-3 请参见「安装水嘴部」之内容。

↳ 6.2-4 请参见「供冷水管和供热水管的连接」之内容。

❹ 是否确实拧紧按钮和固定配件螺丝？

↳ 6.3-6 请参见「排水配件的连接」之内容。

确认流量、吐水状态以及吐水温度。

流量少、放水状态不好或难以调节温度时，请确认下列项目。

❺ 检查吐水口是否堵塞垃圾？

↳ 清扫吐水口。

↳ 7.1 参见吐水口的保养方法之项目

❻ 检查进水角阀是否打开？

↳ 6.4-7 请参见 出水确认



请在**完全打开进水角阀**的状态下使用。

※请务必将包装箱内所附带的使用说明书等交给客户。

TOTO

Single Handle Faucet with Restroom Counter

TLP02301 · TLP02303

TLP02304 · TLP02306



TLP02307 · TLP02308

Install the product according to this Installation Manual so that the product fulfills its function. When the installation is over, fully explain how to use the single handle faucet to the customer.




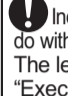
1 Safety Precautions (Be sure to follow all precautions for safety sake.)





Please read these Safety Precautions before installation work in order to install the product properly.

• This manual employs various indications in order to install the product properly and to prevent harm to the customer and other people, as well as damage to their properties. The indications and meanings are as follows:

 WARNING	This indication means that if the content in the column of this indication is ignored or handled wrongly, death or serious injury may occur.
 CAUTION	This indication means that if the content in the column of this indication is ignored or handled wrongly, injury or property damage may occur.

• The contents you must observe are classified into the following symbols; their meanings are explained.

	 Indicates things that you must not do as "Prohibited". The left figure indicates that "Disassembly is Prohibited".
	 Indicates things that you must do with out fail as "Mandatory". The left figure indicates to "Execute it without fail".

 WARNING	
	Do not connect the cold water pipe and the hot water pipe reversely. Even if you try to turn on the cold water, the hot water comes out and may scald you.
	Do not use supply water at a temperature higher than 90°C. If you use the water at a temperature higher than 90°C, the water may scald you and the life of the faucet may shorten causing it to break and leak water that may wet household articles and cause damage to your property.
	Do not disassemble or remodel the product with other items than what are described in this manual. Otherwise, the water may scald or injure you and the product may break and leak water that may wet household articles and cause damage to your property.

2 Specifications

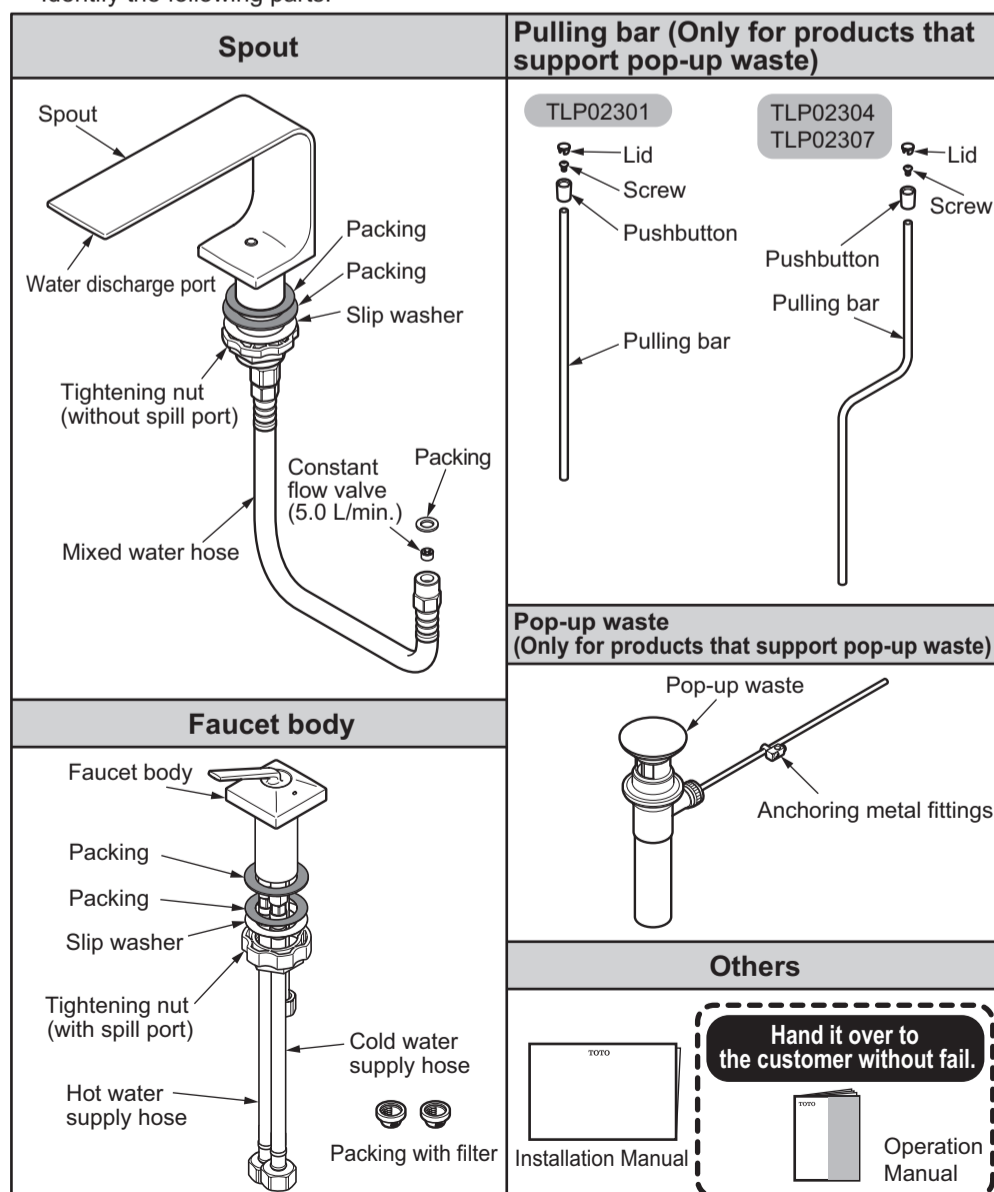
Cold / Hot water supply pressure	Minimum water pressure	0.05 MPa (Dynamic)
	Maximum water pressure	1.0 MPa (Static)
	Recommended water pressure	0.1~0.5 MPa (Dynamic)
Temperature water supply		4~90°C. Recommended hot water temperature 60°C
Environmental temperature used		1~40°C
Application		For bidet in general house
Water discharge volume		5.0 L/min. constant flow valve incorporated

3 Before Installation

- In order to prevent scalding due to erroneous operation, be sure to set the cold water supply pressure higher than the hot water supply pressure or set them to the same pressure. Even when applying pressure to the hot water side, be sure to set the hot water supply pressure side lower than the cold water side.
- Connect the hot-water supply pipe at a minimum length from the water heater in order to reduce resistance and be sure to wrap the water supply pipe with thermal insulation.
- In the case of an instantaneous hot-water heater, the water heater may not ignite according to the conditions such as performance and water pressure of the water heater.
- In order to facilitate water pressure adjustment and equipment checking, be sure to prepare a water shutoff valve separately.
- Since the flow is examined before packaging the product, some water may remain in the product, but nothing is wrong with the product.
- After the water shutoff valve is mounted, flush dirt in the cold-/hot-water supply pipes completely away. Otherwise, the inside of pipe may become clogged with debris, causing a reduction in water discharge volume or preventing water discharge.

4 Identification of Parts

Identify the following parts.



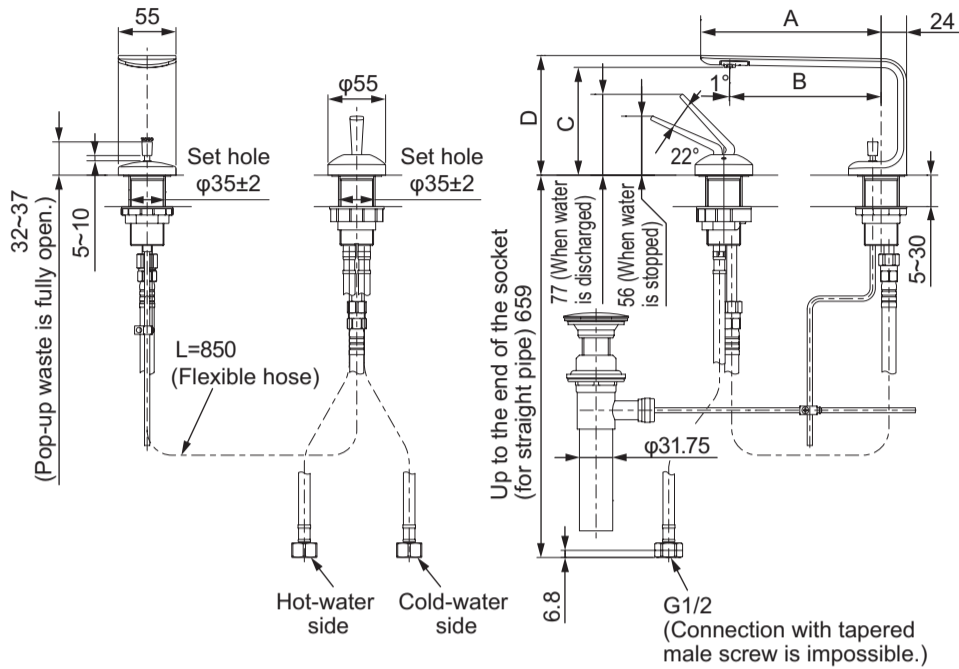
*The shape of the actual product may differ somewhat from drawings depending on the model number.

Continued on the back cover.

5 Completion Drawing

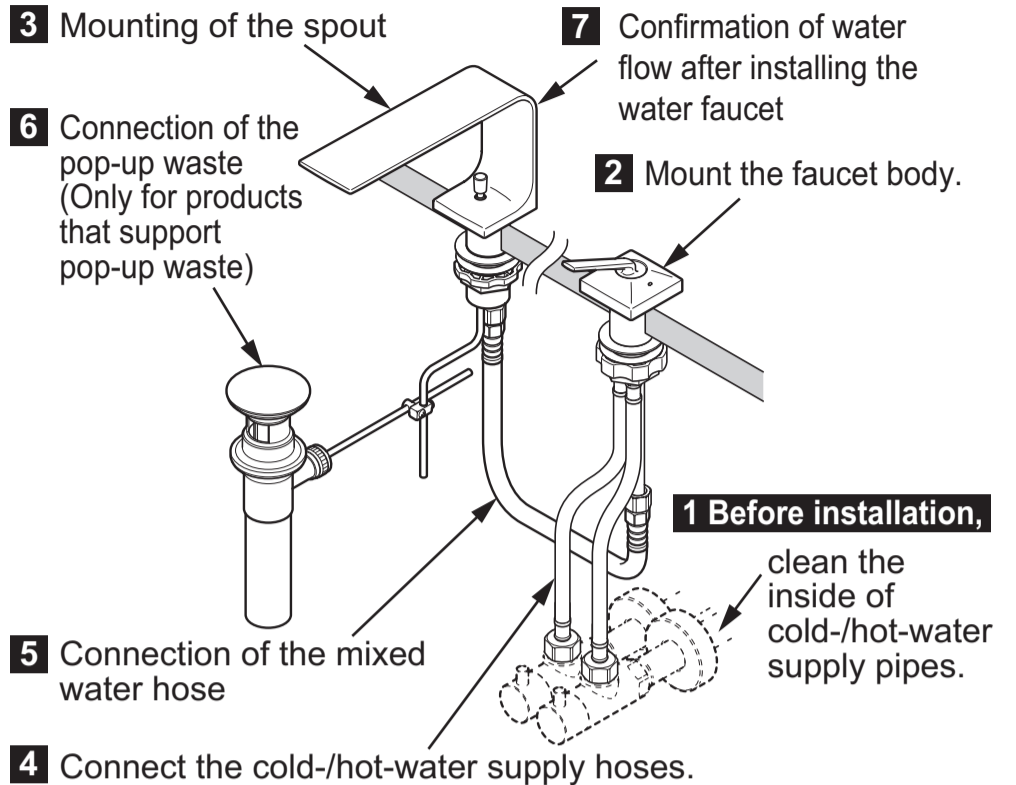
*The shape of the actual product may differ somewhat from drawings depending on the model number.

(Unit: mm)



Model number	TLP02301 TLP02303	TLP02304 TLP02306	TLP02307 TLP02308
A	172	172	192
B	144	144	164
C	103	163	213
D	114	174	224

6-1 Installation Procedure



1 Before installation, clean the inside of cold-/hot-water supply pipes.

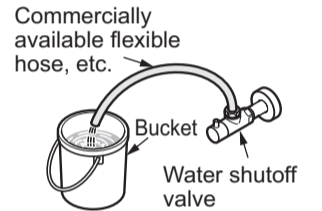
Before mounting the water shutoff valve and water faucet, be sure to wash away dust and sand from inside the cold-/hot-water supply pipes.

IMPORTANT

Cautions

If the insides of the cold-/hot-water supply pipes are not cleaned, dirt and sand in the cold-/hot-water supply pipes can clog the filter and cause the following trouble.

- (1) Little water volume is discharged.
- (2) The temperature cannot be adjusted well.

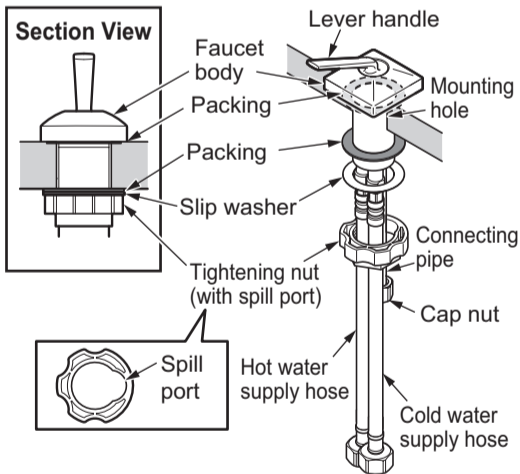


Prepare a commercially available flexible hose and bucket, connect the commercially available flexible hose, etc. to the water shutoff valve, slowly open the water shutoff valve and wash away dust and sand from inside the cold-/hot-water supply pipes.

6-2

2 Mount the faucet body.

- Remove dirt around the mounting holes.
- Insert the cold-/hot-water supply hoses into the mounting hole.
- Pass the cold-/hot-water supply hoses through the packing, the slip washer and the tightening nut (with spill port) one by one. Then, pass the cap nut of the connecting pipe through the spill port and anchor the hoses.

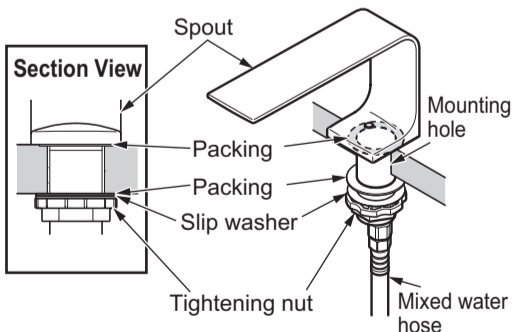


Cautions

Anchor the shaft so that the faucet body comes to the center of the mounting hole.

3 Mounting of the spout

- Remove dirt around the mounting holes.
- Set the packing, the slip washer and the tightening nut (without spill port) on the spout and anchor the spout.

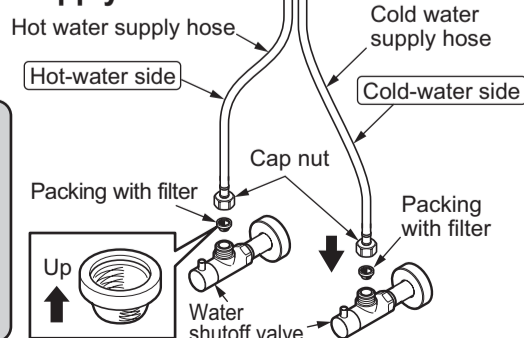


Cautions

Anchor the spout so that it comes to the center of the mounting hole.

4 Connect the cold-/hot-water supply hoses.

Connect the cold-/hot-water hoses surely with the water shutoff valves.

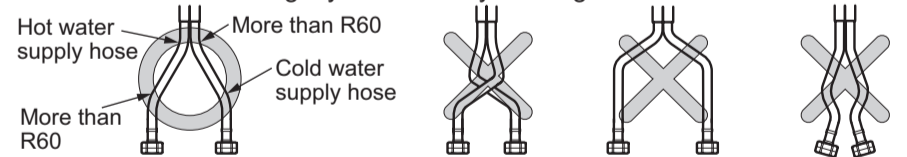


Cautions

- To prevent the cold-/hot-water supply hoses from drooping, anchor them so that they do not move.
- Pay attention to the direction of the packing with filter.

Cautions in the installation of the cold-/hot-water hoses

- Use care not to bend the hose with more force than necessary. The minimum bending radius is 60 mm. If the hose with a bending radius smaller than this, sufficient flowrate may not be obtained and the hose may break and leak water.
- Do not proceed with the installation work with a hose that is bent extremely from the end face of the faucet body.
- Do not pull the hose with undue force. Otherwise, the hose may bend.
- Avoid unnecessary contact with the hoses. Otherwise, the hose performance may deteriorate due to external damage to the external reinforcing layer caused by rubbing.



5 Connection of the mixed water hose

Cautions



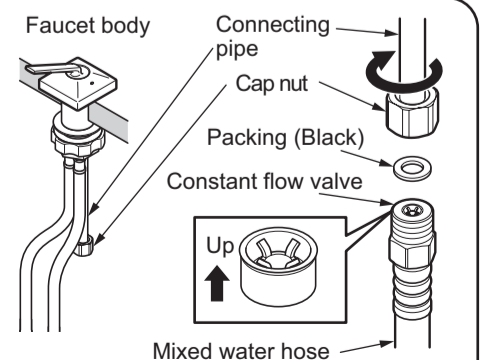
Never turn the nut on the mixed water hose side. The hose may twist and cause water to leak.



Turn the cap nut of the connecting pipe and connect the mixed water hose.

Cautions

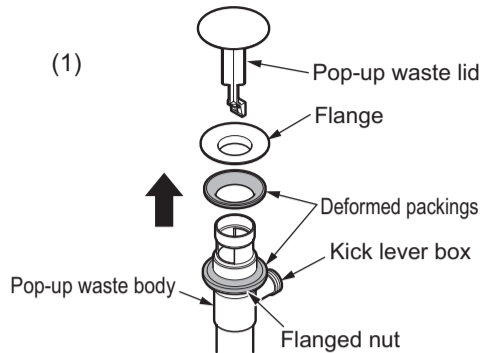
- Pay attention not to lose the packing and constant flow volume valve.
- If the constant flow volume valve comes off from the mixed water hose, re-mount it securely in the proper direction.
- When connecting the mixed water hose, never turn the nut on the mixed water hose side.



Continues on the next page.

6-1 Connect the pop-up waste.

(1) a. Remove the water discharge lid, the flange and the atypical packings from the pop-up waste body.

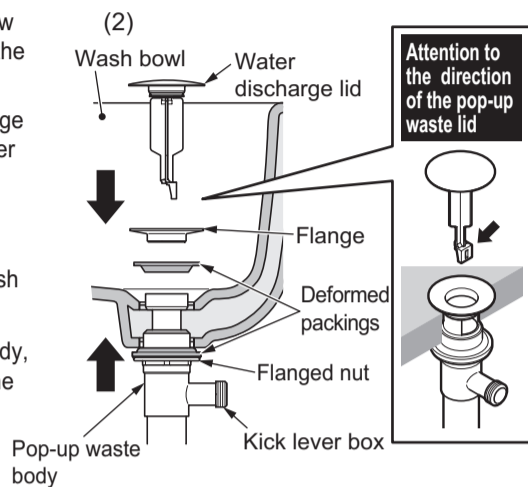


(2) a. Fit the pop-up waste body from below through the water discharge port of the wash bowl.

b. Anchor the off-type packing and flange to the pop-up waste body in this order so as to sandwich the wash bowl.

c. Turn the kick lever box to the faucet side and tighten it with a flanged nut for anchoring, using care so that wash bowl does not break.

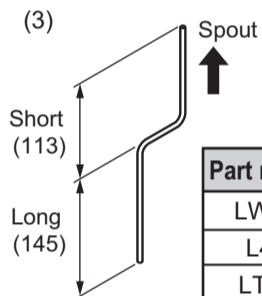
d. Pass it through the pop-up waste body, paying attention to the direction of the water discharge lid.



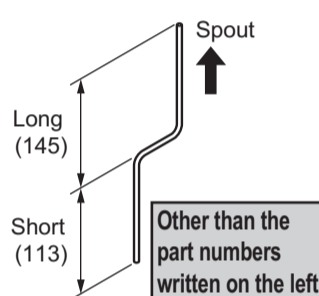
(3) TLP02304, TLP02307

Mount the pulling bar in the proper direction.

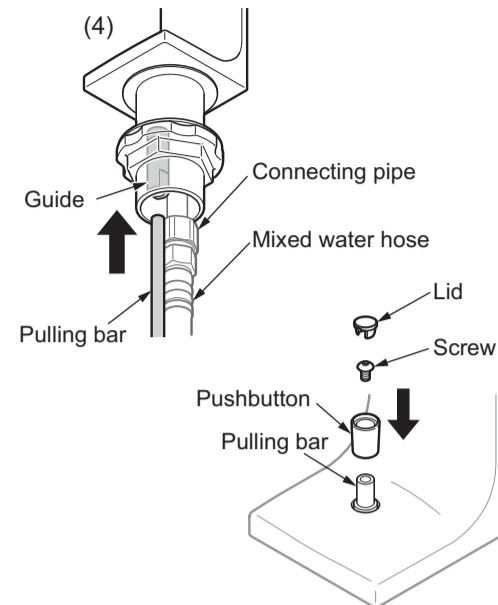
(Unit: mm)



Part number of the wash bowl	
LW4715*	LW4716*
L4715*	L4716*
LT4715*	LT4716*



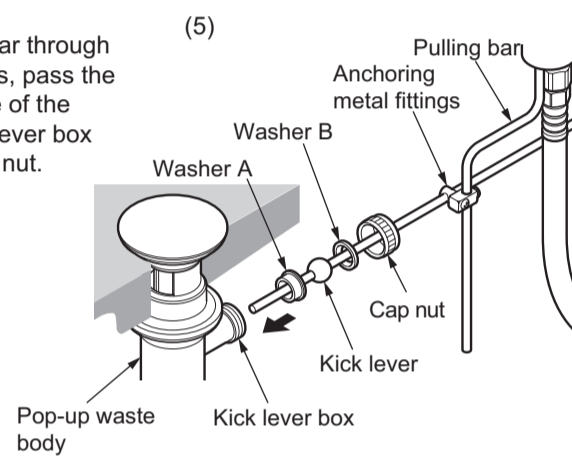
(4) a. Insert the pulling bar into the guide from below the spout body.



b. Mount the pushbutton, screw and the lid on the pulling bar in this order.

(5) a. Fit washer B, the cap nut and the anchoring metal fitting on the kick lever water faucet side and fit washer A on the pop-up waste fitting side.

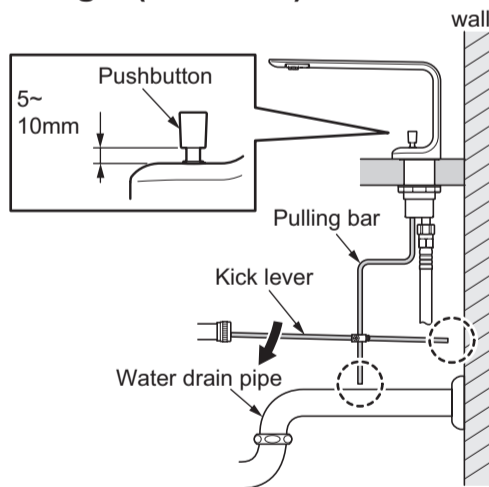
b. After passing the pulling bar through the anchoring metal fittings, pass the kick lever through the hole of the water drain lid of the kick lever box and anchor it with the cap nut.



6-2 Connect the pop-up waste fittings. (Continue)

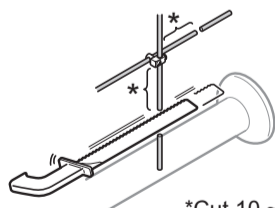
(6) a. Adjust the position of the pulling bar so that the clearance between the spout and the pushbutton is 5 ~ 10 mm.

b. Lower the kick lever to the lowest position in the condition described in a, screw in the screw of the anchoring metal fitting to anchor the kick lever and the pulling bar.



Cautions

If the kick lever and the pulling bar interfere with the wall and the water drain pipe cut them to a length that they do not interfere.

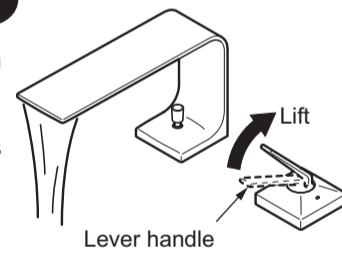


*Cut 10 ~ 20 mm from the anchoring metal fittings.

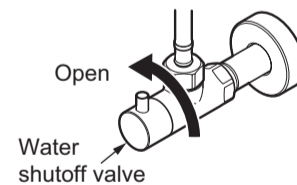
7 Confirmation of water flow after installing the water faucet

Turn-on water confirmation

After the completion of installation, open the main tap in the plumbing and confirm that water comes out from the spout. Also, check the hose connections and clearances for any water leakage.



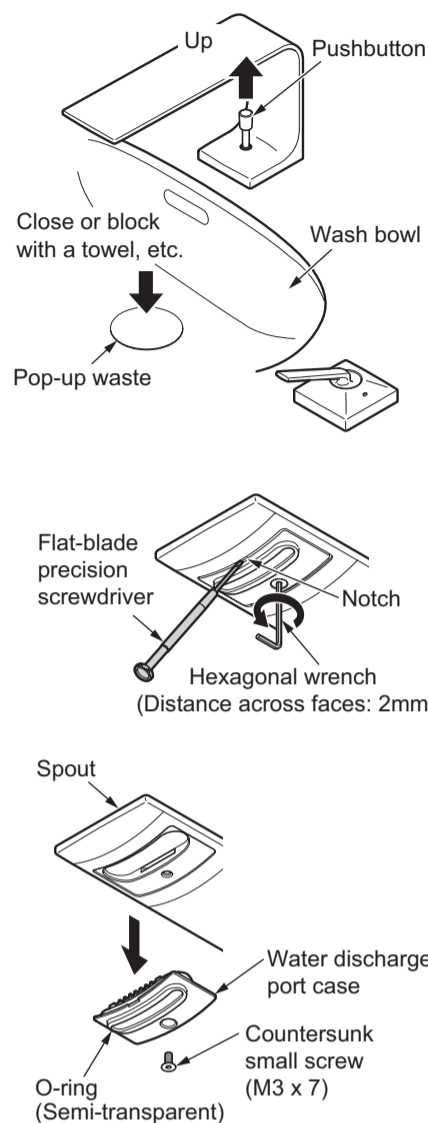
Use the product with the water shutoff valve fully open.



7-1 How to clean the water discharge port

7-2

Care for the water discharge port



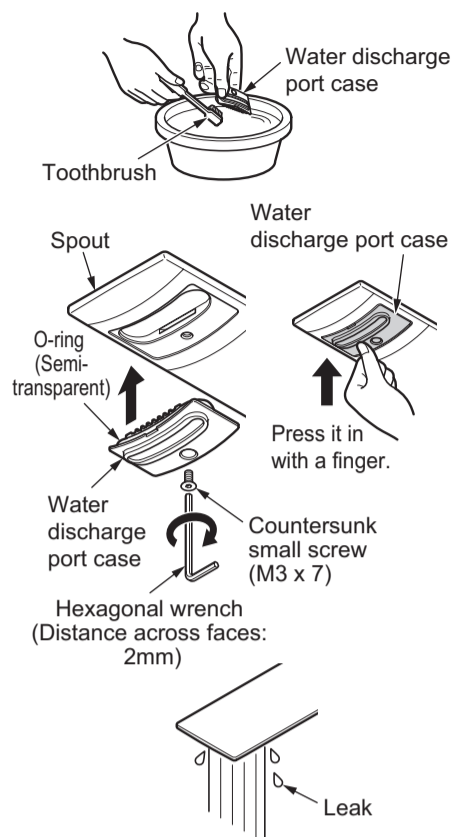
1. Close the pop-up waste of the wash bowl.

Close the pop-up waste paying attention not to lose part(s), or block the pop-up waste with a towel, etc.

2. Loosen and remove the countersunk small screw (distance across faces: 2mm) with a hexagonal wrench.

3. Insert a flat-blade precision screwdriver in the notch between the water discharge port case and the spout, and dismount the water discharge port case.

Pay attention not to lose the O-ring of the water discharge port case.



4. Remove dirt and debris caught in the wire screen using a toothbrush, etc.

5. Assemble the water discharge port case on the spout and mount it with the countersunk small screw.

Press the water discharge port case into the spout with a finger and tighten the setscrew.

6. When the mounting work is complete, check the water discharge port for any water leaks. If water discharge port case is not mounted properly, re-mount it.

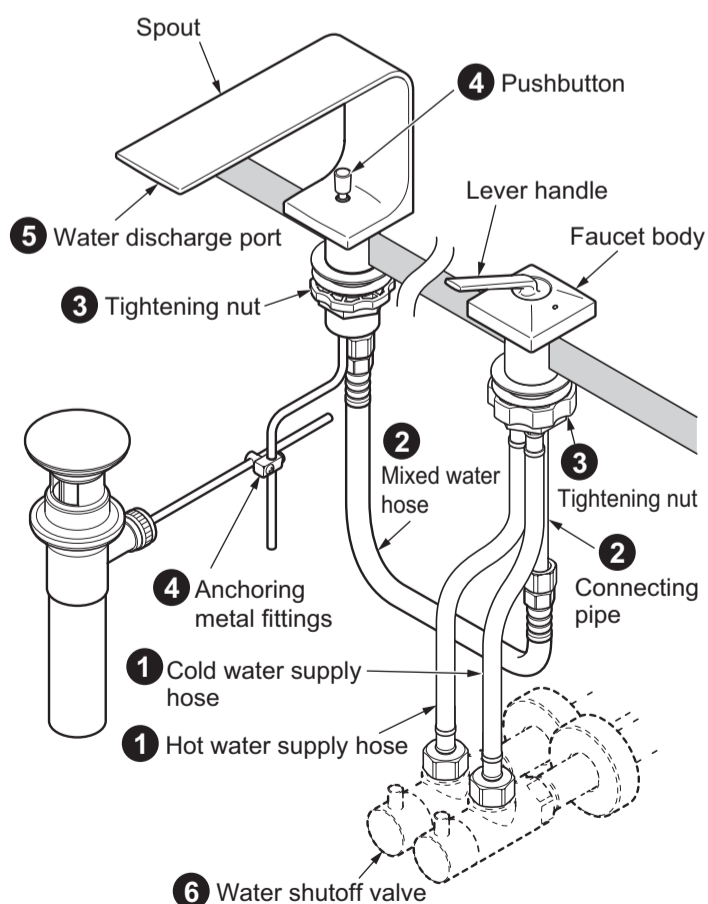
8 Cautions in Use

The following phenomenon may occur during use, but it is not due to any trouble. Explain it adequately to the customer.

Phenomenon	Explanation
When the product is used for a while once installed, the handle operation feels heavy.	It is due to the internal parts breaking in, and it is not due to any trouble.

9 Checking Items

When the installation is over, check the following items.



Checking water leakage

Check if water leaks.

1 Are the cold-/hot-water supply hoses and the water shutoff valve mounted securely?

Refer to 6-2-4 Connect the cold-/hot-water hoses.

2 Is the mixed water hose tightened securely to the connecting pipe?

Refer to 6-2-5 Connection of the mixed water hose.

Checking for looseness

Check the product for looseness.

3 Are the tightening nuts of the whole water faucet body and the spout securely tightened?

Refer to 6-2-2 Mount the faucet body.

Refer to 6-2-3 Mounting of the spout.

Refer to 6-2-4 Connect the cold-/hot-water hoses.

4 Are the screws of the pushbutton and the anchoring metal fittings securely tightened?

Refer to 6-3-6 Connect the pop-up waste.

Checking of the flowrate, water discharge condition and water discharge temperature

If only a little water flows from the faucet and the temperature cannot be adjusted well, check the following items.

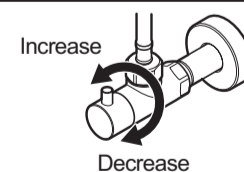
5 Is the water discharge port clogged with dirt?

Clean the water discharge port.

Refer to 7-1 Care for the water discharge port.

6 Is the water shutoff valve open?

Refer to 6-4-7 Turn-on water confirmation.



Use it with the water shutoff valve fully open.

* Hand the attached operation manual, etc. over to the customer without fail.