

**TOTO**

# 施工说明书 Instructions for construction

安装产品前请仔细阅读本施工说明书，并保留备用。  
Before product installation, read these instructions for construction carefully and retain it for future reference.

**TOTO**

**OG4221RY  
2021.10**

# 目录

## 目 录

目 录.....	1
明细单.....	2
使用条件与施工上的注意.....	3
施工上的注意与保养.....	4
安装完成图.....	5-6
水嘴的安装.....	7-8
生产厂家与销售商.....	9

# 明细单

## 明 细 单



水嘴主体.....	1套
排水金具.....	1套
施工说明书.....	1本
使用说明书.....	1本
使用此明细单的产品包括:	
TLG01309*	铜合金台式单柄双控洗面器水嘴 (含排水配件)
TLG02309*	铜合金台式单柄双控洗面器水嘴 (含排水配件)

# 使用条件与施工上的注意

## 使用条件

1. 供冷水\*热水压强：  
最低压强……0.05MPa（流动压）  
最高压强……1.0MPa（静压）  
推荐使用压强……0.1~0.5MPa（流动压）  
检测压强……1.6MPa（静压）
2. 供水温度在4℃~90℃，建议使用热水温度60℃，供热水请勿使用蒸汽。
3. 使用环境温度0℃以上。如果不高于0℃，水嘴会出现变形、冻裂等现象。
4. 长时间不使用时，可能导致水嘴内部及外部锈蚀不能使用等现象。
5. 如果您需要废弃本产品，请勿将其作为一般生活垃圾处理，请依照法规经由独立的回收体系进行合适处理、恢复和回收。
6. 本说明书中的产品具有清洗功能。

## 施工上的注意

-  **警告** 表示如果无视此标志而误操作时，有可能造成人员重伤或死亡。
-  **注意** 表示如果无视此标志而误操作时，有可能造成人身伤害或财产损失。

### 警告

1. 水嘴的供热水一侧处于高温状态，请勿使皮肤直接接触五金配件表面，否则可能会烫伤。
2. 请勿配反冷\*热水配管，否则可能会烫伤。
3. 供热水请勿使用蒸汽，否则可能会烫伤。
4. 如果客户不使用我司水嘴自带的进水口过滤网，可能会出现阀芯因异物进入而导致的漏水或破损的风险。

### 注意

1. 请勿撞击本产品，否则可能会造成故障、漏水。
2. 如果吐水压力大，请调节止水阀达到需要的流量，避免水势过大，溅出洗脸盆。
3. 随着产品式样的不断更新，实物存在与图示不符的情况，但基本安装、使用原理相同。

# 施工上的注意与保养

4. 在可能结冰的场所使用时，要切实做好防冻措施。因结冰，零件破损，有可能导致漏水，造成财产损失。因结冰而造成的破损即使在保修期内也是有偿修理。请不要让产品的环境温度低于0℃。

## 防冻措施

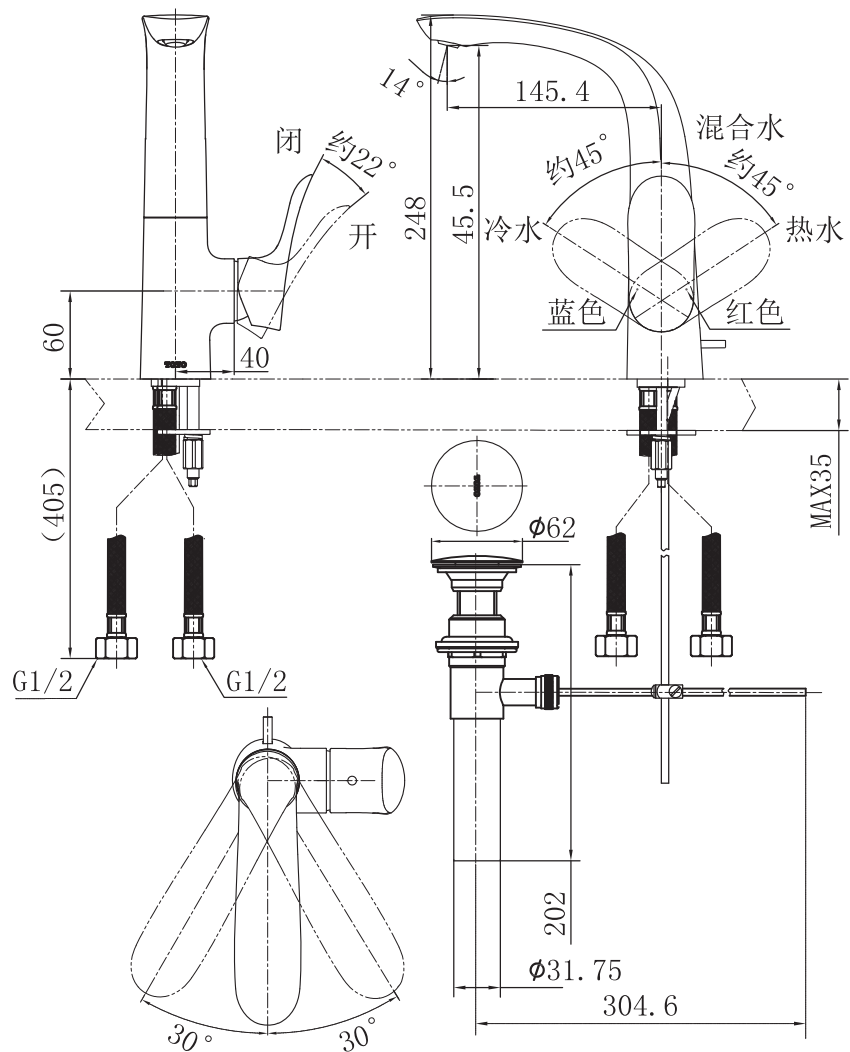
- 在可能结冰的场所使用时，要切实做好防冻措施。
1. 产品结冰的话零件损坏，成为漏水的原因。
  2. 因结冰造成的零件破损即使在保修期也是有偿修理。
  3. 施工完了后或长时间不使用时，要有预防突然降温的准备，要对产品进行结冰预防。
  4. 因为有结冰的危险，请不要让产品周围的温度在0℃以下。

## 保养

- 为长期保持产品的美观，请用户按以下方法维护保养。
1. 经常用软布擦拭，间或用软布蘸水擦拭。
  2. 当有污垢且比较明显时，请用中性洗涤剂擦拭后充分进行水洗。

# 安装完成图

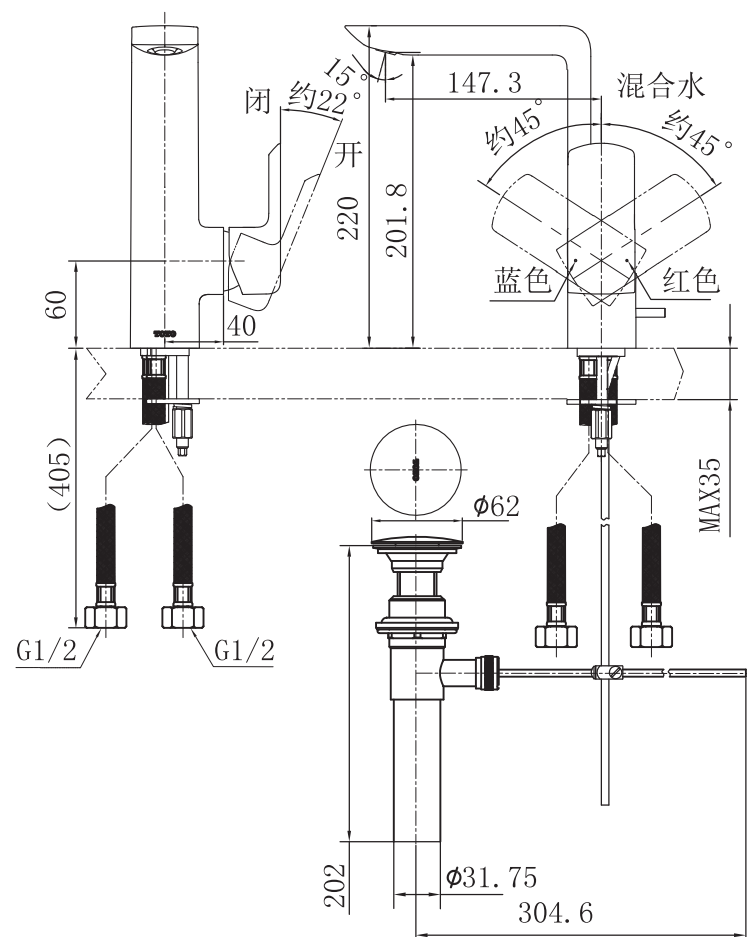
TLG01309\* 系列铜合金台式单柄双控洗面器水嘴



注：上記尺寸单位为mm；  
( )内尺寸为参考尺寸。

# 安装完成图

TLG02309\* 系列铜合金台式单柄双控洗面器水嘴



注：上記尺寸单位为mm；  
( )内尺寸为参考尺寸。

# 水嘴的安装

## 1. 供水管内的清扫

水嘴安装前必须先将供水管内的尘埃、砂砾等到完全洗净、冲出。

## 2. 水嘴主体部分的安装

- (1) 如图1所示，卸下本体下部的固定螺母、弹簧垫片、马蹄垫片。
- (2) 把提拉杆装到本体上，安装方式如图2所示。
- (3) 调整本体方向，使其正面朝前：然后从洗面盆的下部用马蹄垫片、固定螺母和弹簧垫片将水嘴固定在洗面盆上。
- (4) 将有红色线的耐压软管接入热水供水管中，将有蓝色线的耐压软管接入冷水供水管中。

**注意：**接入供水管前务必确认紧固螺母内有无过滤垫片。

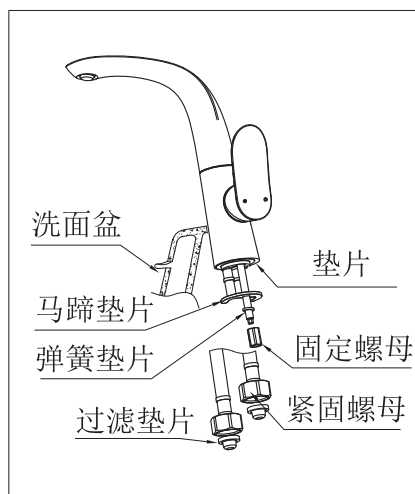


图1(水嘴主体的安装)

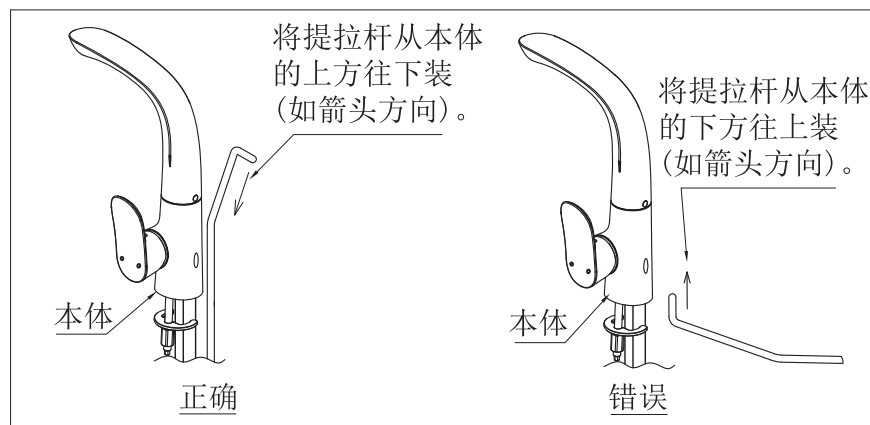
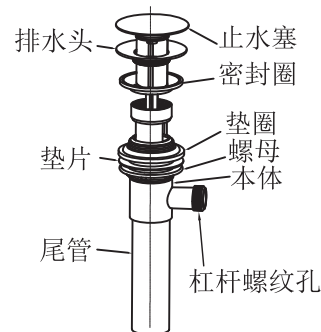


图2(提拉杆的安装)

# 水嘴的安装

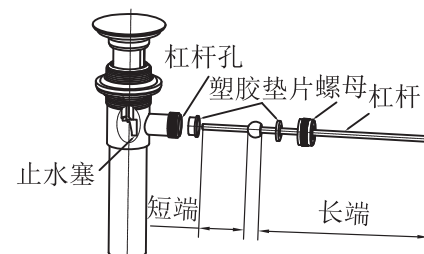
## 3. 排水金具的安装

### (1) 排水主体安装



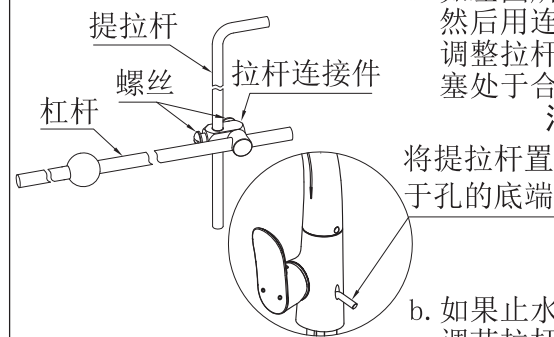
- a. 把排水头、止水塞、密封圈、尾管从本体上卸下。
- b. 把尾管螺纹处缠上生料带后拧紧到本体上。
- c. 将排水头和密封圈放入洗面盆的安装孔，然后将本体置于盆下，再将排水头拧到本体上。
- d. 调节安装杠杆螺纹孔的方向，使其正对墙壁，为避免洗面盆破裂上螺母时往垫圈方向拧至合适位置即可。

### (2) 排水主体安装



- a. 把螺母从本体上拧下，再按上图所示把杠杆与塑胶垫片装好，然后把杠杆装入到止水塞的小孔上。
- b. 将杠杆经过杠杆孔，插入到止水塞孔中，然后把螺母拧紧。  
**注意：**插入杠杆孔时，将杠杆短的一端插入止水塞孔中。

### (3) 提拉杆的安装



- a. 如左图所示：先将杠杆穿过拉杆连接件，然后用连接件将提拉杆与杠杆固定，再调整拉杆连接件的位置，使杠杆与止水塞处于合适位置并用螺丝固定。  
**注意：**如图所示，拧紧螺丝前将提拉杆置于孔的底端，同时将杠杆向下压至底端，然后拧紧螺丝，保证安装完后排水头能正常开启和关闭。
- b. 如果止水塞不能正常升降，请客户自行调节拉杆连接件与提拉杆和杠杆的位置。

# 生产厂家与销售商

执行标准：GB 18145-2014、GB 25501-2019

产品型号：见包装箱上的标签

产品名称：见包装箱上的标签

生产日期：见包装箱上的标签

组装工厂：东陶（大连）有限公司

电 话： (0411) 87624383

厂 址：大连经济技术开发区东北二街17号

东陶(中国)有限公司

全国售后服务电话：800-820-9787(固定电话)

400-820-9787(手机用户)

销售商：东陶(中国)有限公司

地 址：北京市朝阳区光华路1号 北京嘉里中心北楼1915室

网 址：www.toto.com.cn

# Contents

## Contents

Contents .....	1
Detailed list .....	2
Use condition and attentions in construction .....	3
Attentions in construction and maintenance .....	4
Installation completion figure .....	5-6
Faucet installation .....	7-8

# Detailed list

## Detailed list

Main body of faucets .....	1 set
Water drainage hardware .....	1 set
Instructions for construction.....	1 copy
instructions for operation .....	1 copy

The products using this detailed list include:

TLG01309\* "GO"Single Lavatory Faucet(Side Handle)(including water drainage accessories)



TLG02309\* "GR"Single Lavatory Faucet(Side Handle)(including water drainage accessories)

# Use condition and attentions in construction

## Use condition

1. Cold water supply\*hot water supply pressure  
Minimum pressure ..... 0.05MPa (flow pressure)  
Maximum pressure ..... 1.0MPa (static pressure)  
Recommended Operating pressure ..... 0.1~0.5MPa (flow pressure)  
Test pressure .....1.6MPa (static pressure)
2. The temperature for water supply is 4~90℃. Recommended hot water temperature 60℃, Do not use steam to supply hot water.
3. The ambient temperature for use is above 0℃. If the ambient temperature is lower than 0℃, the faucets will deform and crack from freezing.
4. Being out of use for a long time may result in internal and external rust to the faucets and being unable to be used.
5. If you want to scrap this product, do not treat it as you do for general household garbage. Please follow relevant statutes to have it treated, recovered and collected appropriately by an independent recovery system.
6. The product in these instructions has a cleaning function.

## Attentions in construction

-  Warning:it means that ignoring this mark and misoperation may cause serious personal injury and death.
-  Attention: it means that ignoring this mark and misoperation may cause personal injury or property loss.

### Warning

- 1.The hot water supply side of the faucet is in a condition of high temperature. Do not allow skin to contact with the hardware surface directly. Otherwise,scalding may occur.
- 2.Do not reverse cold\*hot water pipes. Otherwise, scalding may occur.
- 3.Do not use steam to supply hot water. Otherwise, scalding may occur.
- 4.If a customer fails to use the self-contained water inlte filter net of our water faucet,there is such a risk as water leakage or damage due to foreign matters entering into the spool.

### Attentions

1. Do not impact the product. Otherwise, failure, water leakage may occur.
2. It is imperative to use a neutral detergent in cleaning. Other detergents than a neutral one may damage the plating coat or make the surface discolor.
3. With the product design being updated constantly, the physical object may not coincide with the figure. However, the basic principle for installation, use is the same.

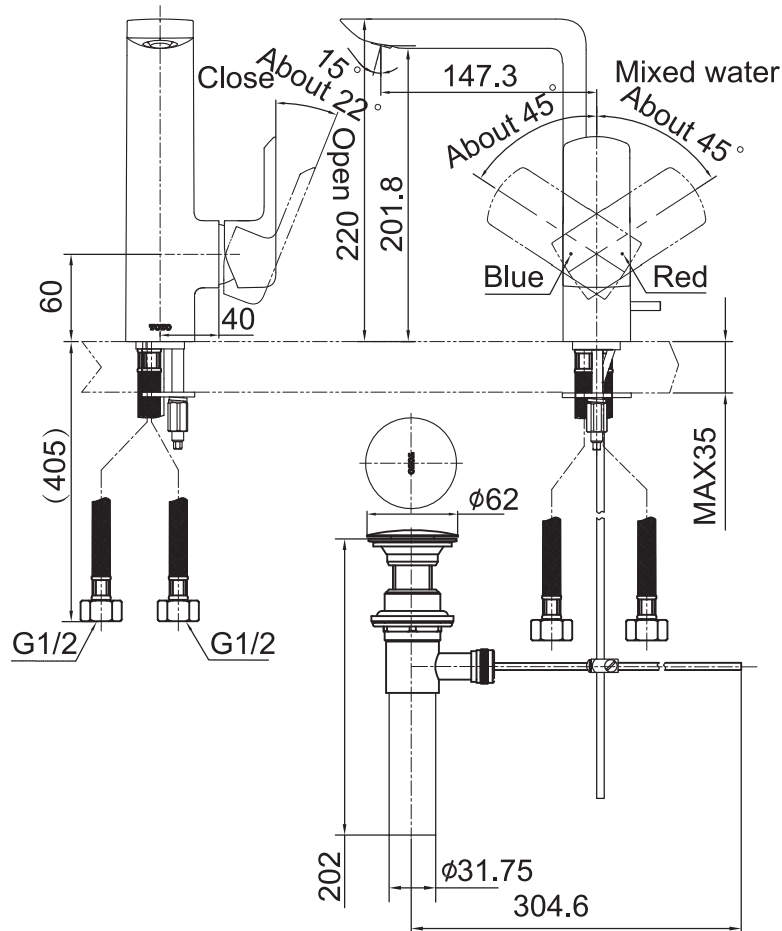




# Installation completion figure

TLG02309\*series

Copper alloy desk type single-handle double-control wash basin water nozzle.



Note: The above dimensional unit is mm;  
The dimension in ( ) is reference dimension.

# Faucets installation

## 1. Cleaning in water supply pipe

Before installing the faucets it is imperative to wash and flush out the dust, sand, etc. in the water supply pipe.

## 2. Main water nozzle part installation

- (1) As shown in Figure 1, remove the fixing nut, spring gasket, horseshoe gasket at the lower part of the body.
- (2) Install the pull lift rod onto the body with the mounting method as shown in Figure 2.
- (3) Adjust the direction of the body to make ght front face forward; then fix the water nozzle onto the wash basin using the horseshoe gasket, fixing nut and spring gasket from the lower part of the wash basin.
- (4) Connect the pressure-resistant hose with a red line into the hot water supply pipe and connect the pressure-resistant hose with a blue line into the cold water supply pipe.

**Note:** Before connecting into water supply pipe, be sure to confirm if any filter gasket exists in the fastening nut.

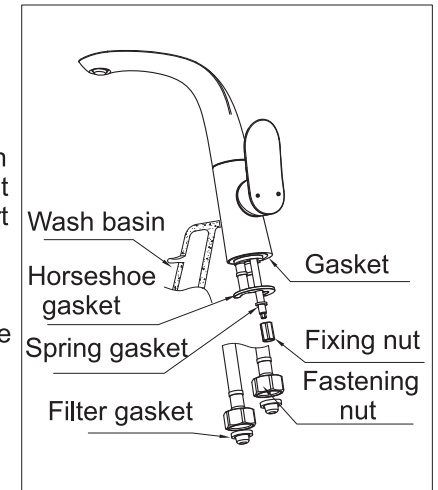


Fig.1(Main water nozzle body installation)

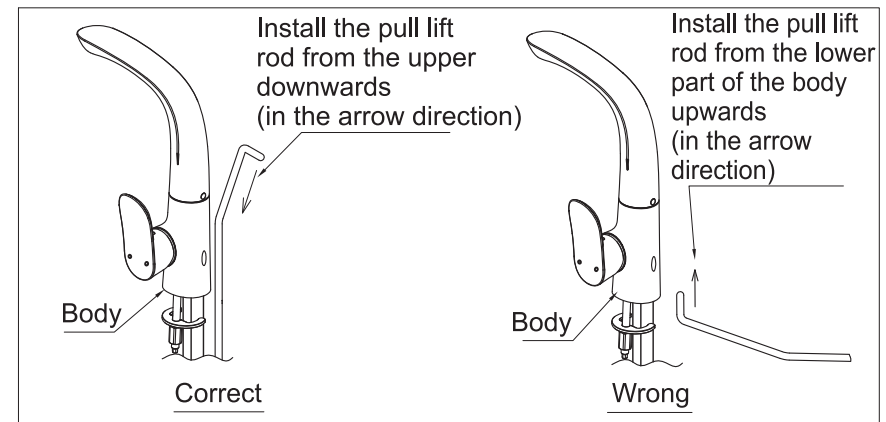
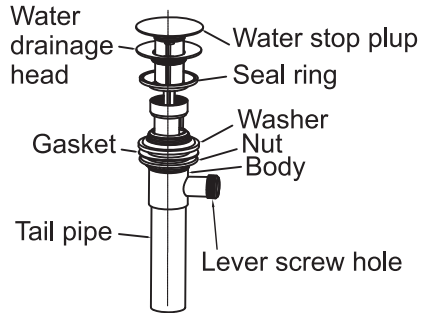


Figure 2(Pull lift rod installation)

# Faucets installation

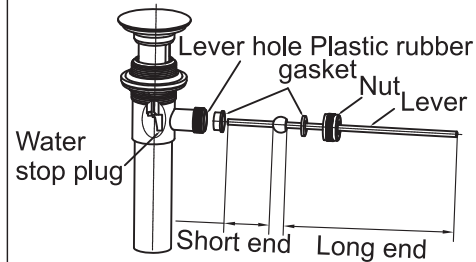
## 3. Water drainage hardware installation

### (1) Main water drainage body installation



- Remove the water drainage head, water stop plug, seal ring, tail pipe from the body.
- Wind Teflon tape on the tail pipe threads and then tighten onto the body.
- Place the water drainage head and seal ring into the mounting hole of the wash basin, then place the body under the basin and screw the water drainage head onto the body.
- Adjust the direction of the lever screw thread hole for mounting to make it face right to the wall. To avoid breaking the wash basin, just screw to an appropriate position toward the washer direction on tightening the nut.

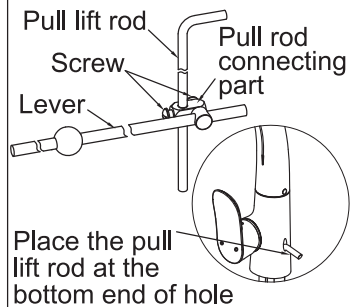
### (2) Main water drainage body installation



- Unscrew the nut from the body and then install properly the lever and plastic rubber gasket as shown in the above figure. After that, install the lever in the small hole of the water stop plug.
- Through the lever hole, insert the lever into the water stop plug hole and then tighten the nut.

**Note: When inserting the lever, insert the short end of the lever into the hole of the water stop plug.**

### (3) Pull lift rod installation



- As shown in the figure on the left, run the lever through the pull rod connecting part first and then use the connecting part to fix the pull lift rod and lever. Adjust the position of the pull rod connecting to make the lever and water stop plug in appropriate positions and fix with screws.

**Note: As shown in the figure, before tightening the screw, place the pull lift rod at the bottom end of hole and simultaneously press down the lever to the bottom end and then tighten the screw to ensure that the water drainage head can open and close normally after installation.**

- If the water stop plug cannot go up and down normally, the user is requested to adjust the positions of the pull rod connecting part and the pull lift rod and lever itself.

TOTO Asia Oceania Pte. Ltd.

telephone: 65-6744-6955

FAX: 65-6841-0819

Address: 10 Eunos Road 8 #12-07 Singapore Post Centre  
Singapore 408600

Website: [asia.toto.com](http://asia.toto.com)

TOTO KOREA LTD.

전화번호 : (02)-3141-8236

FAX 번호 : (02)-3141-8240

주소 : 서울시 마포구 토정로 112(상수동, 로이코빌딩 3층)

홈페이지 : <http://www.totokr.co.kr>