

施工说明书 Instructions for construction

安装产品前请仔细阅读本施工说明书，并保留备用。
Before product installation, read these instructions for
construction carefully and retain it for future reference.

TOTO

TOTO

OG3371Y(C)
2021.07

目录与明细单

目 录

目录与明细单	1
使用条件与施工上的注意	2
施工上的注意与保养	3
安装完成图	4-5
水嘴的安装	6
生产厂家与销售商	7

明细单

水嘴主体	1套
吐水口治具	1个
过滤网	1个
施工说明书	1本
使用说明书	1本

使用此明细单的产品包括：

DL104R 铜合金台式单柄单控洗面器水嘴



DL104-1R 铜合金台式单柄单控洗面器水嘴

使用条件与施工上的注意

使用条件

1. 供冷水*热水压力：
最低压力.....0.05MPa（流动压）
最高压力.....1MPa（静压）
2. 使用环境温度0℃以上。如果低于0℃，水嘴会出现变形、冻裂等现象。
3. 如果您需要废弃本产品，请勿将其作为一般生活垃圾处理，请依照法规经由独立的回收体系进行合适的处理、恢复和回收。
4. 本说明书中的产品具有清洗功能。

施工上的注意

-  **警告** 表示如果无视此标志而误操作时，有可能造成人员重伤或死亡。
-  **注意** 表示如果无视此标志而误操作时，有可能造成人身伤害或财产损失。

警告

- 1、如果客户不使用我司水嘴自带的进水口过滤网，可能会出现阀芯因异物进入而导致的漏水或破损的风险。
- 2、请勿使用热水蒸汽配管，否则可能会烫伤。

施工上的注意和保养

⚠ 注意

1. 由于陶瓷阀芯是较精密的部件, 请勿擅自分解, 否则可能会造成漏水等不良。
2. 请勿撞击本产品, 否则可能会造成故障、漏水。
3. 水势根据水压的高低而变化, 若水势太强会有飞溅现象, 若水势太弱则不能充分洗净污垢, 请调节进水处止水阀来改变水势。
4. 随着产品式样的不断更新, 实物存在与图示不符的情况, 但基本安装、使用原理相同。
5. 在可能结冰的场所使用时, 要切实做好防冻措施。
因结冰, 零件破损, 有可能导致漏水, 造成财产损失。因结冰而造成的破损即使在保修期内也是有偿修理。请不要让产品的环境温度低于 0°C 。

防冻措施

在可能结冰的场所使用时, 要切实做好防冻措施。

1. 产品结冰的话零件损坏, 成为漏水的原因。
2. 因结冰造成的零件破损即使在保修期也是有偿修理。
3. 施工完了后或长时间不使用时, 要有预防突然降温的准备, 要对产品进行结冰预防。
4. 因为有结冰的危险, 请不要让产品周围的温度在 0°C 以下。

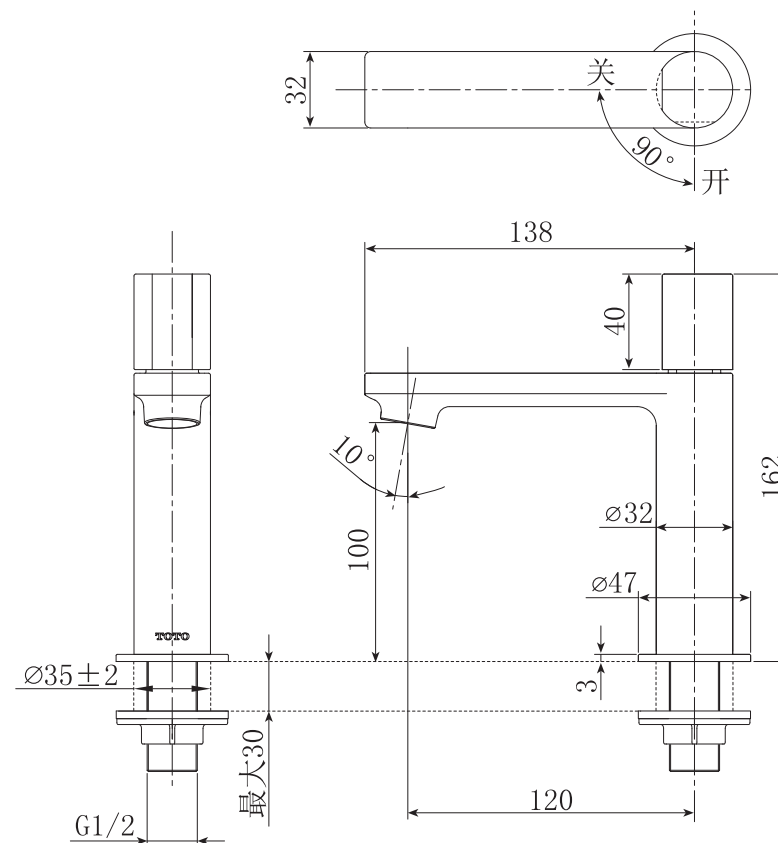
保养

为长期保持产品的美观, 请用户按以下方法维护保养。

1. 经常用软布擦拭, 间或用软布蘸水擦拭。
2. 当有污垢且比较明显时, 请用中性洗涤剂擦拭后充分进行水洗。

安装完成图

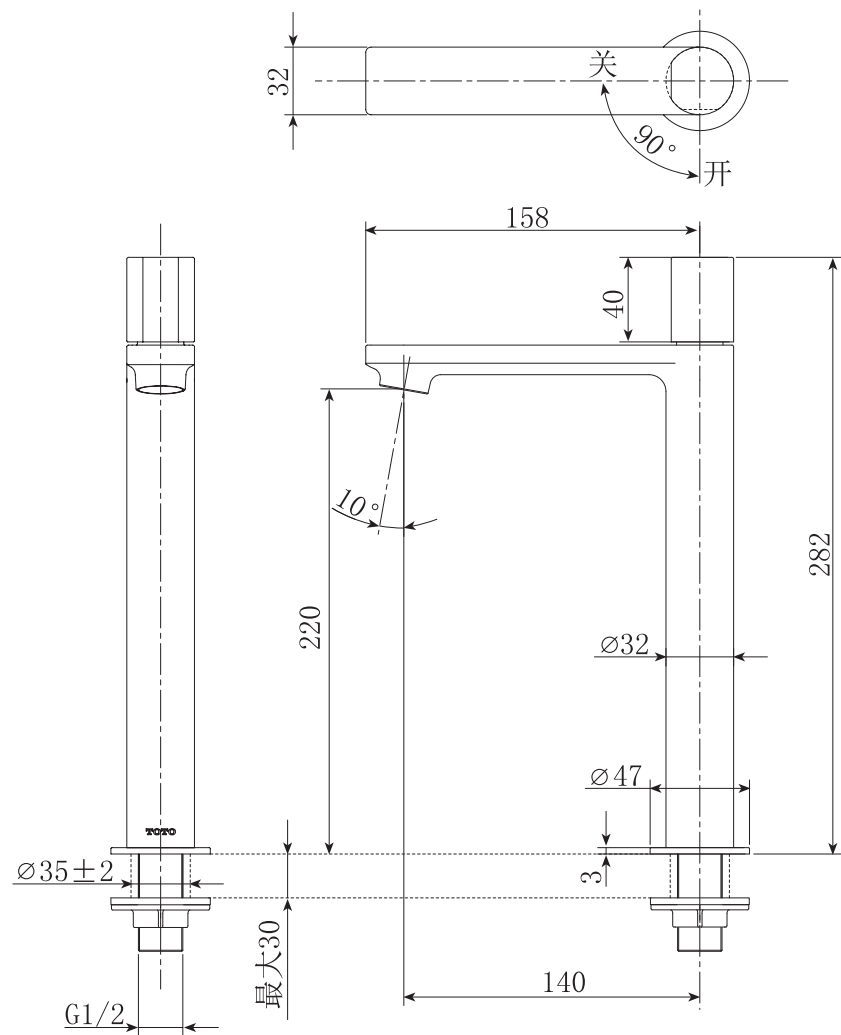
DL104R 铜合金台式单柄单控洗面器水嘴



注: 上記尺寸单位为mm

安装完成图

DL104-1R 铜合金台式单柄单控洗面器水嘴



注：上記尺寸单位为mm

水嘴的安装

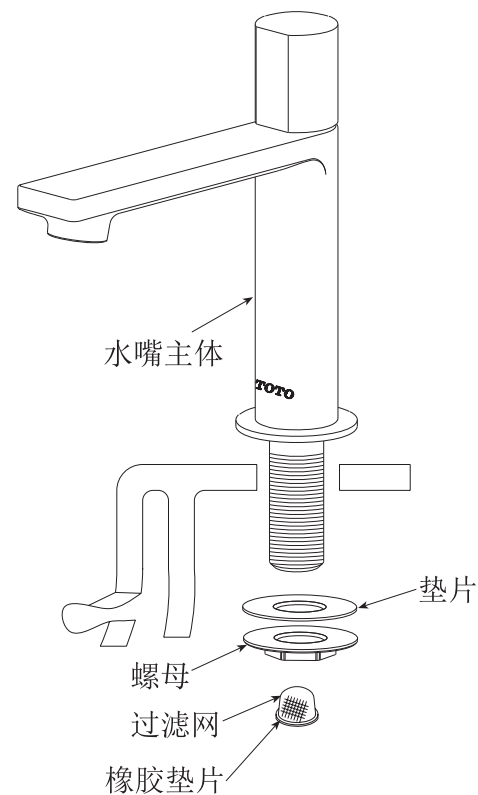
DL104R、DL104-1R

1、供水管内的清扫

安装前一定要冲净供水管内的灰尘、沙砾等异物。

2、水嘴的安装

- ①如图所示，卸下水嘴主体下部的螺母。
- ②调整水嘴主体方向使其正面朝前安装在洗面盆上。
- ③从洗面盆的下部用螺母将水嘴主体固定在洗面盆上。
- ④安装施工软管时，请将过滤网及橡胶垫片放到软管的内螺纹中，再与水嘴主体螺纹拧紧。



生产厂家与销售商

执行标准：GB 18145-2014、GB 25501-2019

产品型号：见包装箱上的标签

产品名称：见包装箱上的标签

生产日期：见包装箱上的标签

组装工厂：东陶（大连）有限公司

电 话： (0411) 87624383

厂 址：大连经济技术开发区东北二街17号

东陶(中国)有限公司

全国售后服务电话：800-820-9787(固定电话)

400-820-9787(手机用户)

销售商：东陶(中国)有限公司

地 址：北京市朝阳区光华路1号 北京嘉里中心北楼1915室

网 址：www.toto.com.cn

Contents

Contents

Contents	1
Detailed list	2
Service condition and attentions in construction.....	3
Attentions in construction and maintenance	4
Installation completion figure	5-6
Water nozzle installation	7
Manufacturer and vendor	8

Detailed list

Detailed list

Main body of faucets	1 set
Water outlet fixture	1 piece
Filter net	1 piece
Instructions for construction	1 copy
Instructions for operation	1 copy

The products using this detailed list include:

DL104R Copper alloy desk type single-handle single-control basin water faucet.

DL104-1R Copper alloy desk type single-handle single-control basin water faucet.

Service condition and attentions in construction

Service condition

1. Cold water supply*hot water supply pressure
Minimum pressure 0.05MPa (flow pressure)
Maximum pressure 1.0MPa (static pressure)
- 2.The ambient temperature for use is above 0°C. If not, the water nozzle may deform and crack due to freezing.
3. If you want to scrap this product, do not treat it as you do for general domestic garbage. Please follow relevant statutes to have it treated, recovered and collected appropriately by an independent recovery system.
4. The product in these instructions has a cleaning function.

Attentions in construction



Warning:it means that ignoring this mark and misoperation may cause serious personal injury and death.



Attention: it means that ignoring this mark and misoperation may cause personal injury or property loss.

Warning

1. If a customer fails to use the self-contained water inlet filter net of our water faucet,there is such a risk as water leakage or damage due to foreign matters entering into the spool.
2. Please do not use pipes for hot water or steam,or you may be scalded.

Attentions in construction and maintenance

⚠ Attentions

1. As the ceramic spool is a precise component, do not dismantle it without authorization. Otherwise, such poor conditions as water leakage, etc. may be caused.
2. Do not impact the product. Otherwise, failure, water leakage may occur.
3. The water flow varies with water pressure magnitude. If the water flow is too strong, there may be splash phenomena. If the water flow is too weak, no contamination can be sufficiently cleaned. Please adjust the water stop value at the water inlet to change the water flow.
4. With the product design being updated constantly, the physical object may not coincide with the figure. However, the basic principle for installation, use is the same.
5. When using in places where icing may occur, anti-freezing measures must be taken. The parts will be damaged due to icing, which may cause water leakage and property loss. Damages caused by icing are repaired for a fee even during the warranty period. Please ensure that the ambient temperature of the product is always above 0°C.

Anti-freezing measures

When using in places where icing may occur, anti-freezing measures must be taken.

1. The parts will be damaged due to icing, which may cause water leakage.
2. Damaged parts caused by icing are repaired for a fee even during the warranty period.
3. After the construction is completed or when it is not used for a long time, prepare to prevent sudden drop of temperature and prevent the product from icing.
4. Because of the risk of icing, please ensure that the ambient temperature of the product is always above 0°C.

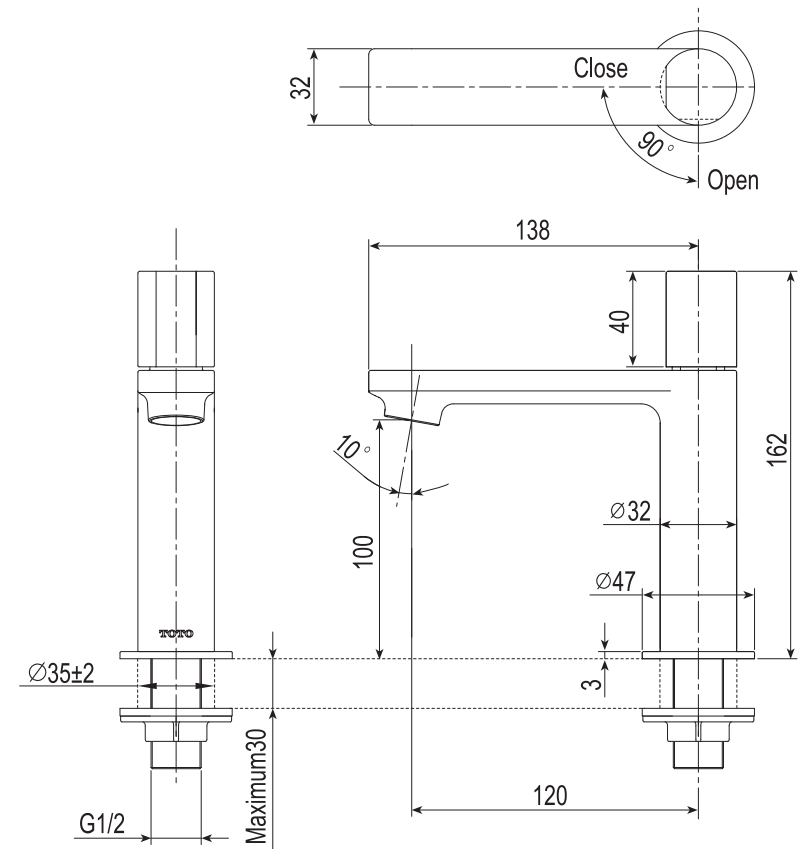
Maintenance

To maintain a beautiful appearance of the product, the user is requested to conduct maintenance and care in the following method.

1. Wipe with a piece of soft cloth frequently and use a piece of soft cloth dipped in water to wipe from time to time.
2. When dirt exists obviously, please use water to wash sufficiently after wiping with a neutral detergent.

Installation completion figure

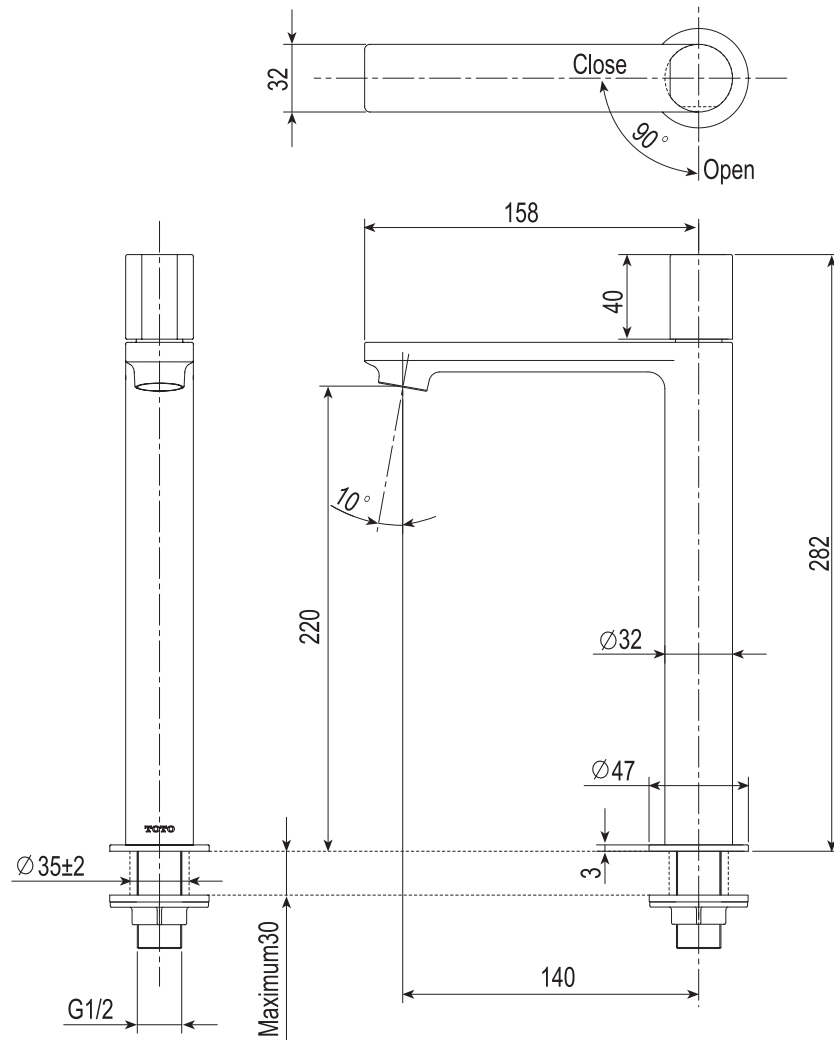
DL104R Copper alloy desk type single-handle single-control basin water faucet.



The dimensional unit in the figure is mm.

Installation completion figure

DL104-1R Copper alloy desk type single-handle single-control basin water faucet.



The dimensional unit in the figure is mm.

Water nozzle installation

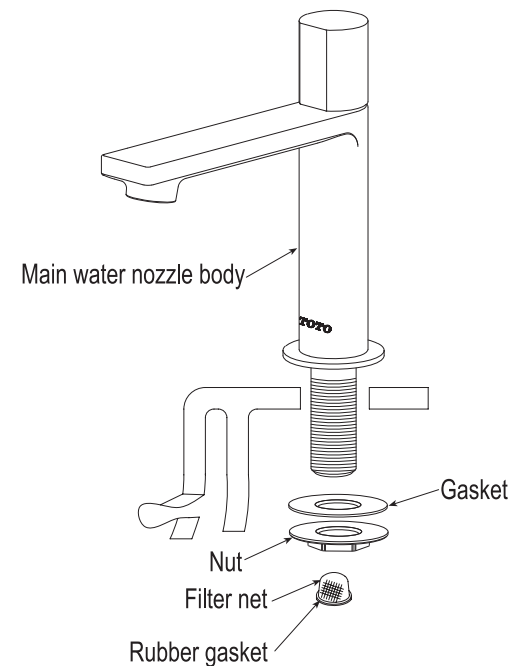
DL104R、DL104-1R

1. Cleaning in water supply pipe

Before installation, it is imperative to wash clean the pipe and remove such foreign matters as dust, sand, etc. in it.

2. Water nozzle installation

- ① As shown in the figure, remove the nut at the lower part of the main water nozzle body.
- ② Adjust the direction of the main water nozzle body so that it is installed on the wash basin with its front facing forward.
- ③ Fix the main water nozzle body onto the wash basin using nut from the lower part of the wash basin.
- ④ When installing the construction hose, please put the filter net and rubber gasket in the internal thread of the hose and then screw tight with the screw thread of the main water nozzle body.



Manufacturer and vendor

Applicable standard:GB 18145-2014、 GB 25501-2019

Product Model No.:See the label on the packaging case

Product name:See the label on the packaging case

Production date:See the label on the packaging case

Assembly factory:TOTO(Dalian)Co.,Ltd.

Telephone:(0411)87624383

Factory address:17 Dong Bei Second Street,Economic&Technical Development zone,Dalian

TOTO(China)Co.,Ltd.

After-sale service toll free telephone all over the country:

800-820-9787(fixed telephone)

400-820-9787(for mobile phone users)

Vendor:TOTO(China)Co.,Ltd.

Address:Room 1915,North Building of Beijing Jiali Center,No.1,
Guanghua Road,Chaoyang District,Beijing

Website:www.toto.com.cn