

# 施工说明书 Installation Manual

安装产品前请仔细阅读本施工说明书，并保留备用。  
Before installing the product, please read the Installation Manual carefully and keep it for future reference.

# TOTO

# TOTO



安装完成后，本说明书务必交由客户保存。  
After installation, the manual must be kept by the customer.

0G266G(F)  
2023.07



# 目录

## 目 录

目录.....	1
明细单.....	2
使用条件与施工上的注意.....	3-4
保养.....	4
安装完成图.....	5-6
水嘴的安装.....	7-9
生产厂家与销售商.....	10

TOTO Asia Oceania Pte. Ltd.

Telephone: 65-6744-6955

FAX: 65-6841-0819

Address: 10 Eunos Road 8 #12-07 Singapore Post Centre  
Singapore 408600

Website: asia.toto.com

TOTO KOREA LTD.

전화번호 : (02)-3141-8236

FAX 번호 : (02)-3141-8240

주소 : 서울시마포구상수동351-16번지로이코빌딩3층

홈페이지 : <https://kr.toto.com/>

# 明细单

## 明细单

水嘴主体.....	1套
耐压软管.....	2条
排水金具.....	1套
阀体.....	2套
把手部.....	2套
提拉杆.....	1条
施工说明书.....	1本
使用说明书.....	1本

使用此明细单的产品包括:

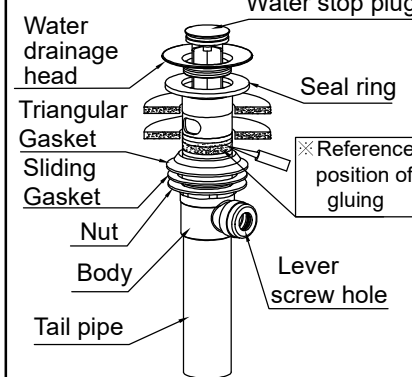
TLS01201\* 铜合金台式双柄双控洗面器水嘴 (含排水配件)

TLS02201\* 铜合金台式双柄双控洗面器水嘴 (含排水配件)

# Faucets installation

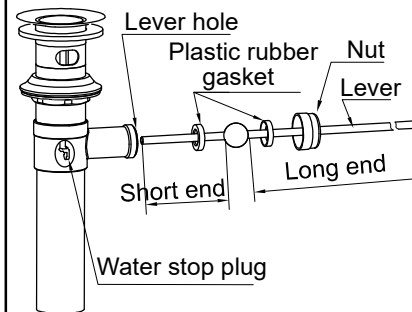
## 6. Water drainage hardware installation

### (1) Main body of water drainage installation



- Remove the water drainage head, water stop plug, seal ring, tail pipe from the body.
- Wind teflon tape on the tail pipe threads, then tighten onto the body.
- Put the Water drainage head cover and sealing ring into the installation hole of the washbasin. As shown in the figure, first adjust the triangular gasket, sliding gasket and nut on the body to the lowest end of the thread, evenly apply an appropriate amount of DURABLE ANTI-FUNGI SILLCONE SEALANT evenly around the thread part in contact with the triangular gasket, then install the whole body from below the washbasin, tighten it to the Water drainage head cover, and finally tighten the nut to fix the drainage body on the washbasin.
- Adjust the direction of the lever screw thread hole for mounting to make it face right to the wall. To avoid breaking the wash basin, just screw to an appropriate position toward the washer direction on tightening the nut.

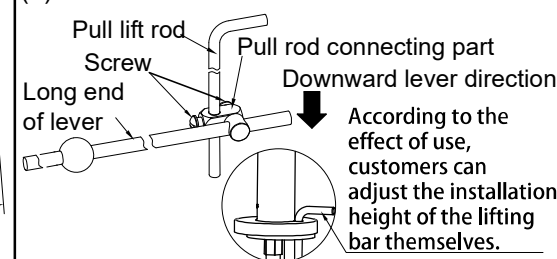
### (2) Main water drainage body installation



- Unscrew the nut from the body and then install properly the lever and plastic rubber gasket as shown in the above figure. After that, install the lever in the small hole of the water stop plug.
- Through the lever hole, insert the lever into the water stop plug hole and then tighten the nut.

**Note:** When inserting the lever, insert the short end of the lever into the hole of the water stop plug.

### (3) Pull lift rod installation



- As shown in the above figure, run the lever through the pull rod connecting part first and then use the connecting part to fix the pull lift rod and lever. Adjust the position of the pull rod connecting to make the lever and water stop plug in appropriate positions and fix with screws.

**Note:** as shown in the figure, before tightening the screws, please place the lift rod at the bottom of the body hole, and press the long end of the lever down to the maximum opening position of the water stop plug, and then tighten the screws, operate for 2-3 times to ensure the normal operation of the drainage accessories switch.

- If water stop plug cannot go up and down normally, the user is requested to adjust the positions of the pull rod connecting part and the pull lift rod and lever itself.

# Faucets installation

## 4. Valve body installation (Figure 2)

- (1) Remove the dirt around the installation hole.
- (2) Remove the fixing seat on the valve body.
- (3) Put the valve body through the installation hole from the lower part of the desk.

Attention: In installation, be sure to note the cold and hot directions and do not reverse (The side with **H** on the valve body is the hot water side and the side with **C** is cold water side).

- (4) Screw tightly the fixing seat onto the valve body.
- (5) Use the nut on the pressure-resistant hose to screw tightly the pressure-resistant hose, gasket and valve body.
- (6) Screw tightly the fastening nut on the valve body and then screw the screws on the fastening nut to fix the valve body sufficiently onto the desk.

**Attention: Pressure-resistant hose's minimum bending radius is R60, according to the actual installation situation adjust the direction appropriately of the valve body.**

- (7) Use the nut on the main body of faucets to screw tight the gasket and Y-connector sufficiently (Figure 3).

## 5. Handle part installation (Figure 4)

- (1) Loosen the screws of the handle part.

**Attention: It is not necessary to remove the screws but just loosen them.**

- (2) Install the handle part onto the valve body (According to the visual effect the installation direction of handle can be adjusted).

**Attention:**

- ① In installation, be sure to pay attention to the cold and hot directions and do not reverse (the red indicating ring on the handle is hot water side and the blue one is cold water side).
- ② In installation, be sure to pay attention to the open and close directions and do not reverse (The anticlockwise direction on the hot water side is open and the clockwise direction is close. The clockwise direction on the cold water side is open and the anticlockwise direction is close).

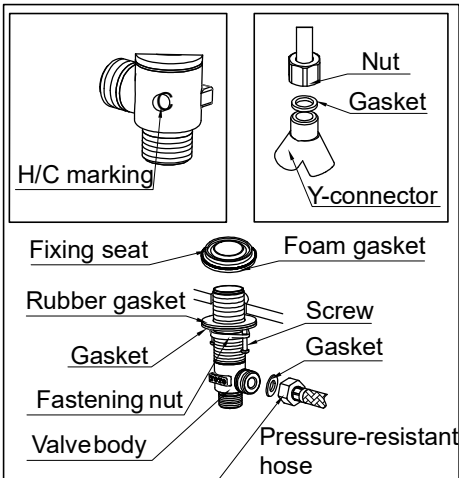


Figure 2. (Valve body installation)

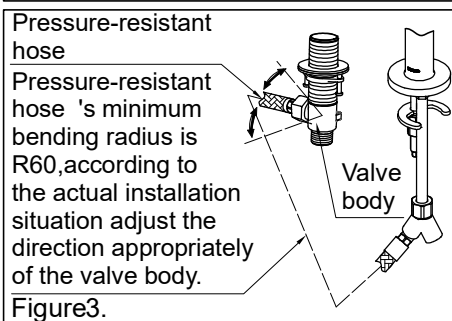


Figure3.

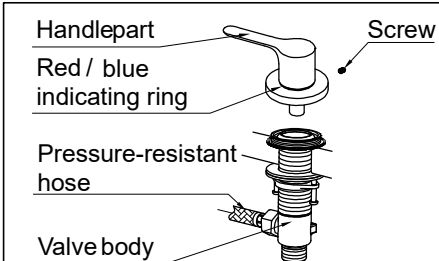


Figure4. (Installation of handle part)

# 使用条件与施工上的注意

## 使用条件

### 1. 供冷水\*热水压力:

最低压力……………0.05MPa (流动压)

最高压力……………1.0MPa (静压)

推荐使用压力……………0.1~0.5MPa (流动压)

检测压力……………1.6MPa (静压)

### 2. 供水温度在4℃~90℃, 建议使用热水温度60℃, 供热水请勿使用蒸汽。

3. 使用环境温度0℃以上。如果不高于0℃, 水嘴会出现变形、冻裂现象。

4. 长时间不使用时, 可能导致水嘴内部及外部锈蚀不能使用等现象。

5. 如果您需要废弃本产品, 请勿将其作为一般生活垃圾处理, 请依照法规经由独立的回收体系进行合适的处理、恢复和回收。

6. 本说明书中的产品具有清洗功能。

## 施工上的注意

⚠ **警告** 表示如果无视此标志而误操作时, 有可能造成人员重伤或死亡。

⚠ **注意** 表示如果无视此标志而误操作时, 有可能造成人身伤害或财产损失。

### ⚠ 警告

1. 水嘴的供热水一侧处于高温状态, 请注意勿使皮肤直接接触五金配件表面, 否则可能会烫伤。

2. 请勿配反冷\*热水配管, 否则可能会烫伤。

3. 供热水请勿使用蒸汽, 否则可能会烫伤。

### ⚠ 注意

1. 安装前, 请先确保产品包装完整、配件及附属品等齐全。

2. 请勿撞击本产品, 否则可能会造成故障、漏水。

# 保养

## 施工上的注意

### ⚠注意

- 3.如果吐水压力大,请调节止水阀达到需要的流量,避免水势过大,溅出洗面盆。
- 4.随着产品式样的不断更新,实物存在与图示不符的情况,但基本安装、使用原理相同。
- 5.在可能结冰的场所使用时,要切实做好防冻措施。  
由于结冰,零件破损,有可能导致漏水,造成财产损失。因结冰而造成的破损即使在保修期内也是有偿修理。请不要让产品的温度低于0℃。

## 防冻措施

在可能结冰的场所使用时,要切实做好防冻措施。

1. 产品结冰的话零件损坏,成为漏水的原因。
2. 因结冰造成的零件损坏即使在保修期内也是有偿修理。
3. 施工完了后或长时间不使用时,要有预防突然降温的准备,要对产品进行结冰预防。
4. 因为有结冰的危险,请不要让产品周围的温度在0℃以下。

## 保养

为长期保持产品的美观,请用户按以下方法维护保养。

- 1.经常用软布擦拭或用软布蘸水擦拭。
- 2.当有污垢且较明显时,请用中性洗涤剂擦拭后充分进行水洗。

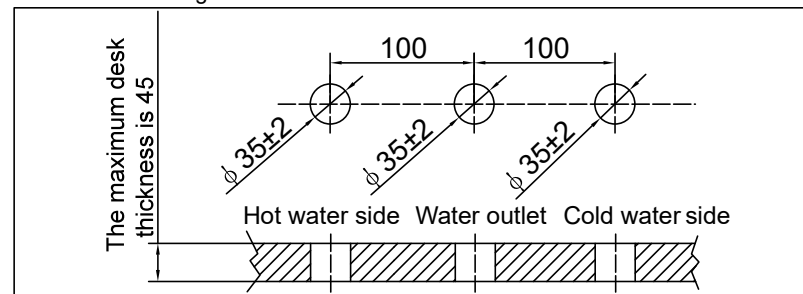
# Faucets installation

## 1. Water supply pipe cleaning

Before installing the faucets it is imperative to clean and wash away the dust, sand grit, etc. in the water supply pipe.

## 2. Hole setting

(1) When using wash basin of such a type as being under desk, the holes on the desk are set as shown in the figure below.



(2) When using such wash basin as having installation holes, please note if the installation holes are appropriate.

## 3. Main body of faucets installation (Figure 1)

- (1) Remove the dirt around the installation holes.
- (2) Remove the fixing nut, spring gasket, horseshoe gasket, gasket under the main body of faucets.
- (3) Put the main body of faucets through the installation hole downward above the desk.
- (4) Adjust the direction of the main body of faucets so that its front side faces forward; then use horseshoe gasket, nut and spring gasket to fix the faucets onto the desk from the lower part of the desk.
- (5) Then use the nut on the main body of faucets to connect the gasket and Y-connector.

Attention: It is not necessary to screw tightly the nut and Y-connector completely (After valve body installation screw tightly the nut and Y-connector as valve body installation step 7).

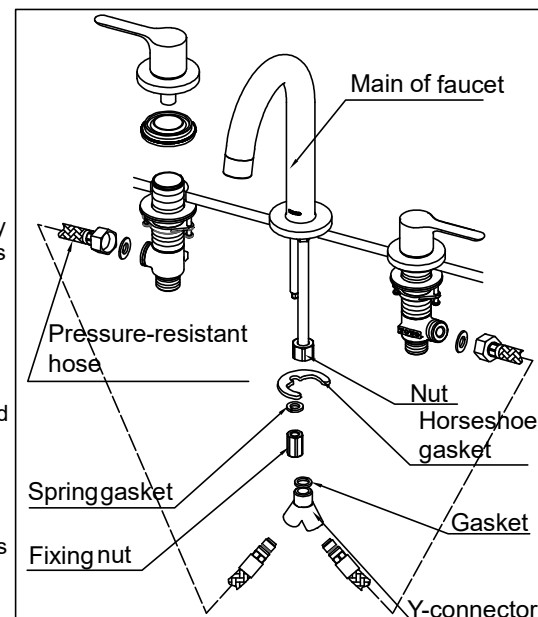
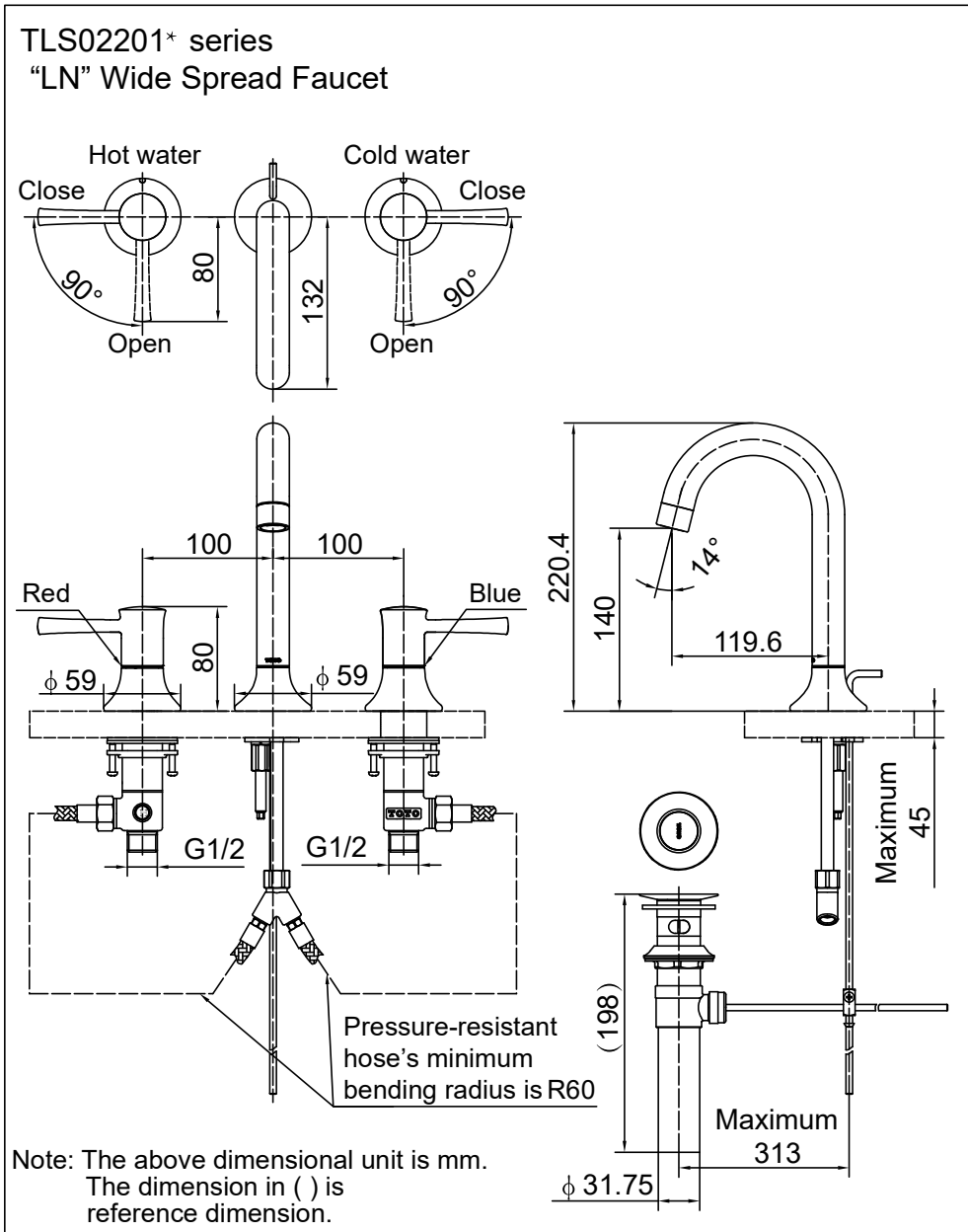
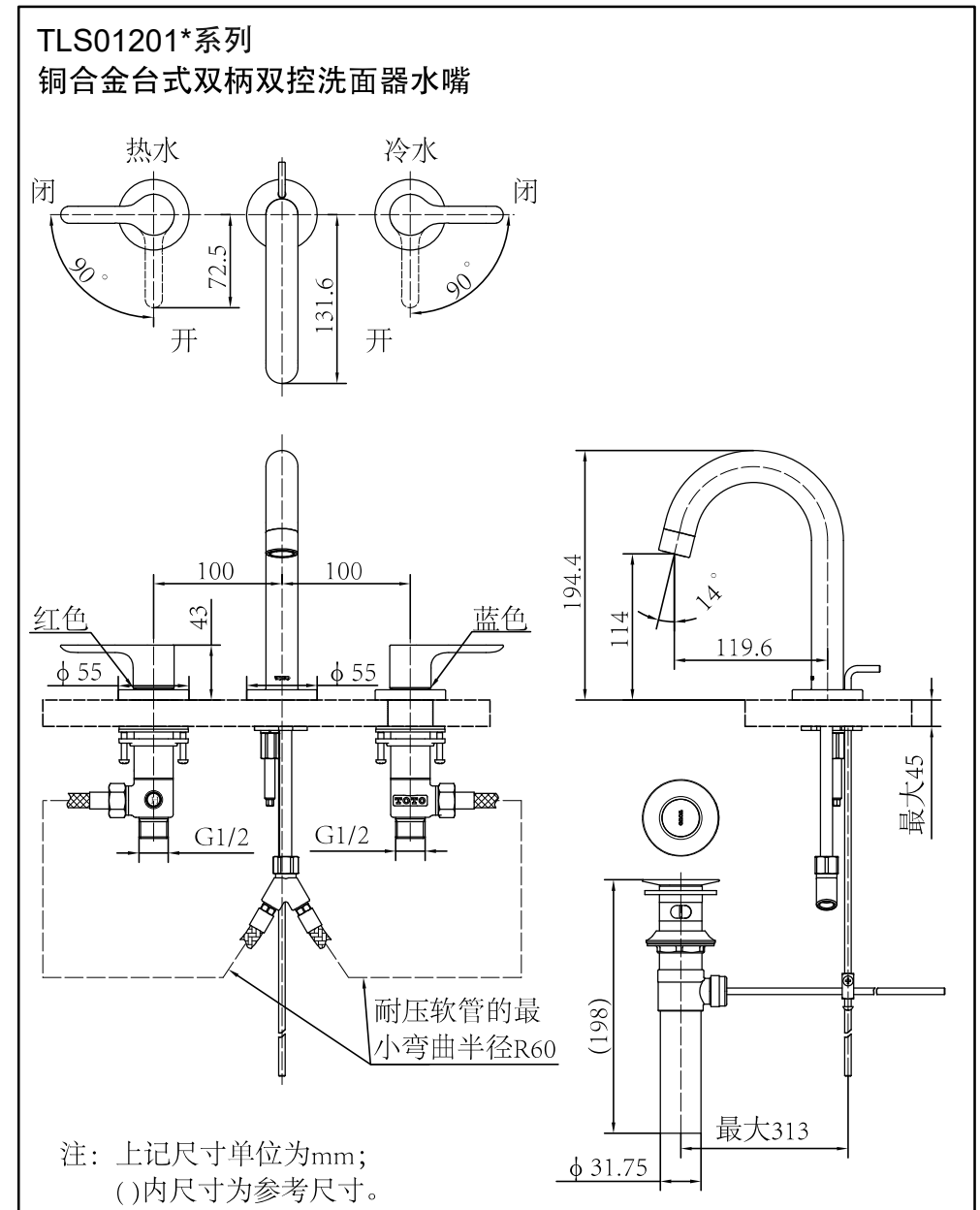


Figure 1. (Installation of main body of faucet)

# Installation completion figure

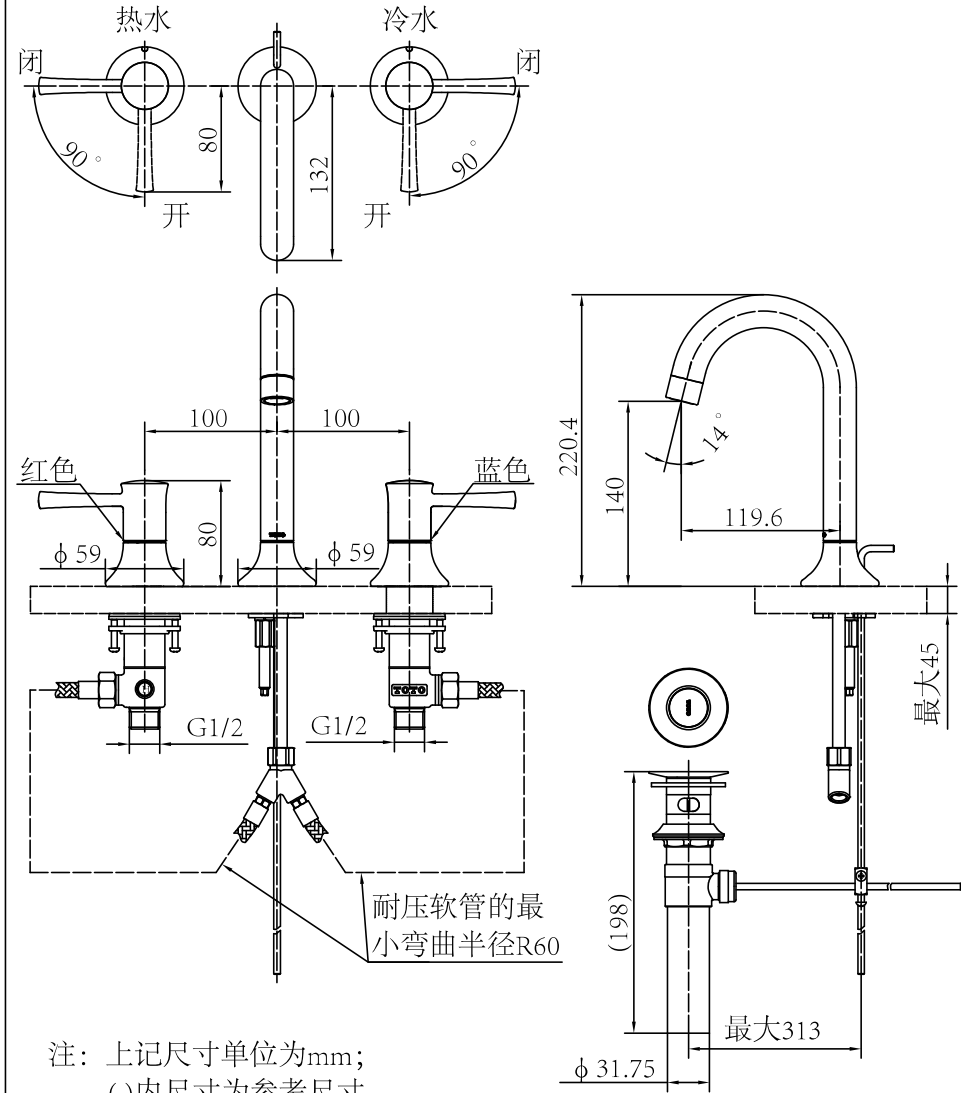


# 安装完成图



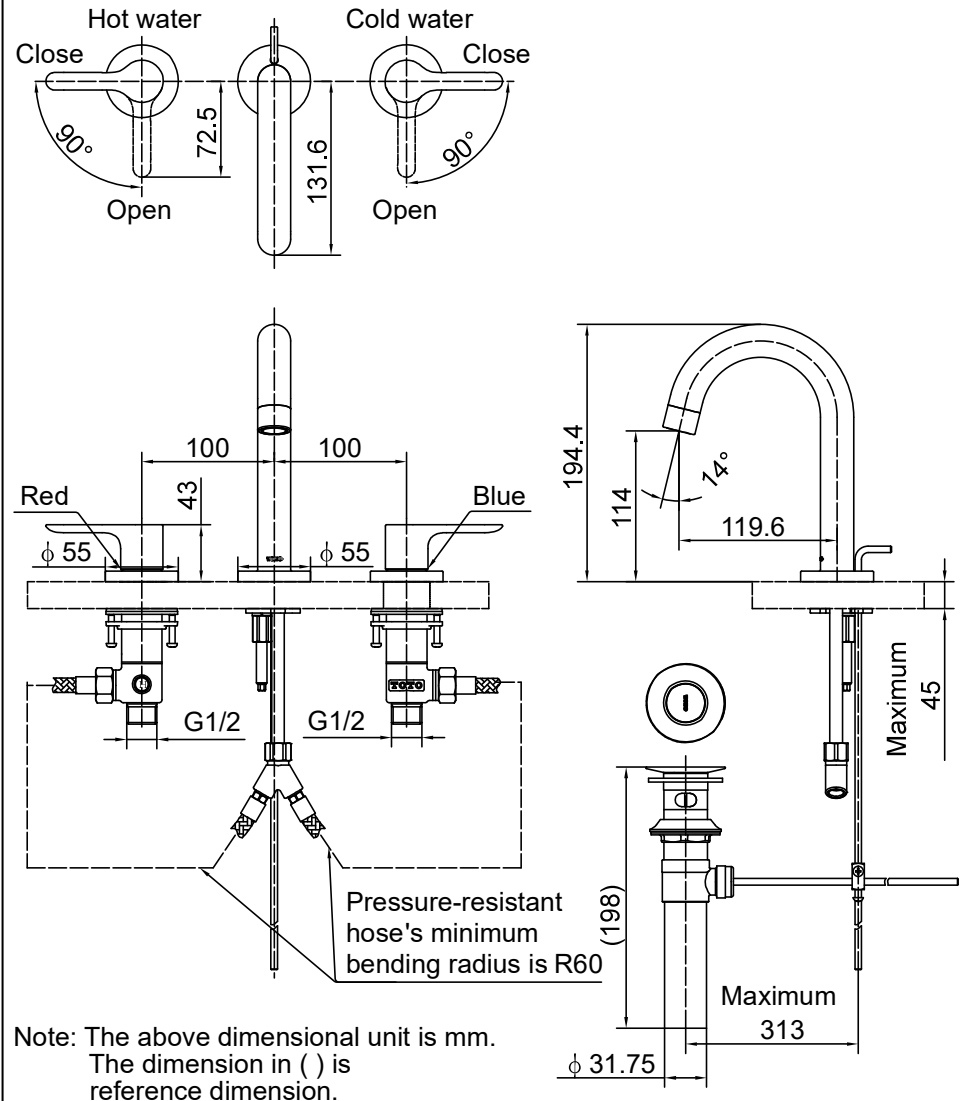
# 安装完成图

TLS02201\*系列  
铜合金台式双柄双控洗面器水嘴



# Installation completion figure

TLS01201\* series  
"LB" Wide Spread Faucet





# Maintenance

## Attentions in construction

### ⚠️ Attentions

- 3.If the water outlet pressure is too high, please adjust the water valve to the water flow you need to avoid the water sprinkled out the basin.
- 4.With the product design being updated constantly, the physical object may not coincide with the figure. However, the basic principle for installation, use is the same.
5. When using in places where frost damage may occur, anti-freezing measures must be taken. The parts will be damaged due to frost damage, which may cause water leakage and property loss. Damages caused by frost damage are repaired for a fee even during the warranty period. Please ensure that the ambient temperature of the product is always above 0°C.

## Anti-freezing measures

When using in places where frost damage may occur, anti-freezing measures must be taken.

1. The parts will be damaged due to frost damage, which may cause water leakage.
2. Damaged parts caused by frost damage are repaired for a fee even during the warranty period.
3. After the construction is completed or when it is not used for a long time, prepare to prevent sudden drop of temperature and prevent the product from frost damage.
4. Because of the risk of frost damage, please ensure that the ambient temperature of the product is always above 0°C.

## Maintenance

To maintain a beautiful appearance of the product for a long time, the user is requested to conduct maintenance and care in the following method.

1. Wipe with a piece of soft cloth frequently and use a piece of soft cloth dipped in water to wipe from time to time.
2. When dirt exists obviously, please use water to wash sufficiently after wiping with a neutral detergent.

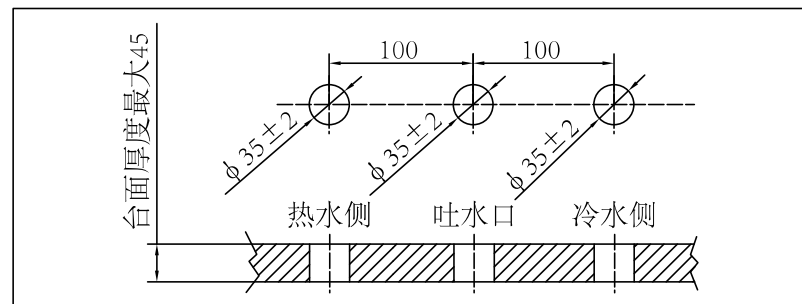
# 水嘴的安装

## 1.供水管内的清扫

水嘴安装前必须先将供水管内的尘埃、砂砾等到完全洗净、冲出。

## 2.孔的设定

(1)使用台下式洗面盆时，台面上孔如图设定。



(2)使用已有安装孔的洗面盆时，请注意安装孔是否合适。

## 3.水嘴主体部的安装(图1)

- (1)清除安装孔周围的污物。
- (2)卸下水嘴主体下部的固定螺母、弹簧垫片、马蹄垫片、垫片。
- (3)将水嘴主体从台面上方往下穿过安装孔。
- (4)调整水嘴主体方向，使其正面朝前；然后从台面的下部用马蹄垫片、弹簧垫片和固定螺母将水嘴固定在台面上。
- (5)然后用水嘴主体上的螺母将垫片与Y形接头连接上。

注意：螺母与Y形接头不用完全拧紧(待阀体安装完后，按阀体安装步骤(7)将螺母与Y形接头充分拧紧)。

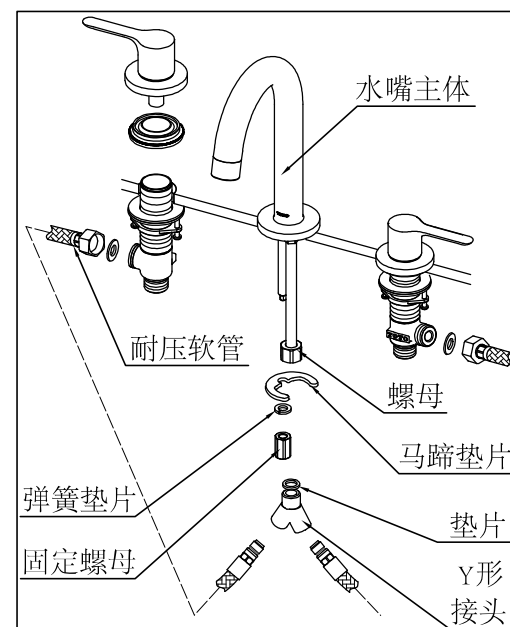


图1(水嘴主体的安装)

# 水嘴的安装

## 4. 阀体的安装(图2)

- (1) 清除安装孔周围的污物。
- (2) 卸下阀体上的固定座。
- (3) 将阀体从台面下方往上穿过安装孔。

**注意：**安装时务必注意冷热方向，不可装反(阀体上带⊕为热水侧，带⊙为冷水侧)。

- (4) 将固定座拧紧到阀体上。
- (5) 用耐压软管上的螺母将耐压软管、垫片与阀体拧紧。
- (6) 将阀体上的紧固螺母拧紧，然后拧动紧固螺母上的螺丝，使阀体充分固定在台面上。

**注意：**耐压软管的最小弯曲半径R60,用户可根据实际安装情况适当调整阀体方向(如图3)。

- (7) 用水嘴主体上螺母，将垫片与Y形接头充分拧紧。

## 5. 把手部的安装(图4)

- (1) 拧松把手部的螺丝。

**注意：**螺丝不用完全卸下，拧松即可。

- (2) 将把手部安装到阀体上(可根据视觉效果调整把手的安装方向)。

**注意：**

- ① 安装时务必注意冷热方向，不可装反(把手上表示环红色为热水侧，蓝色为冷水侧)。
- ② 安装时务必注意开闭方向，不可装反(热水侧逆时针为开，顺时针为闭；冷水侧顺时针为开，逆时针为闭)。

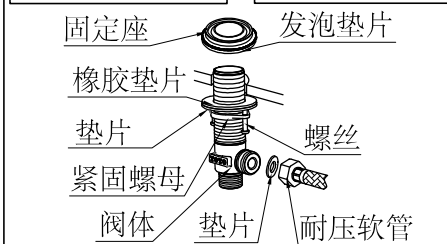
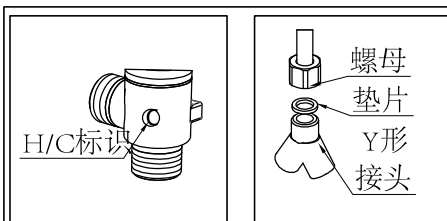


图2(阀体的安装)

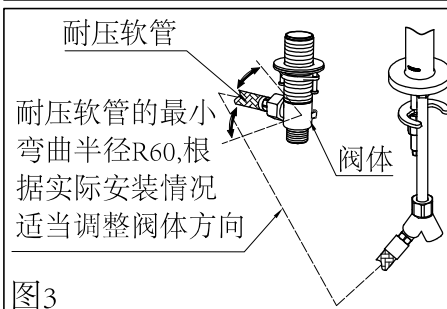


图3

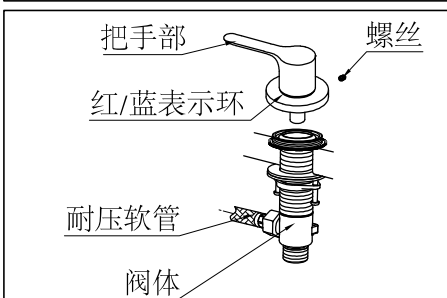


图4(把手部的安装)

# Use condition and attentions in construction

## Use condition

1. Cold water supply\*hot water supply pressure  
 Minimum pressure ..... 0.05MPa (flow pressure)  
 Maximum pressure ..... 1.0MPa (static pressure)  
 Recommended Operating pressure ..... 0.1~0.5MPa (flow pressure)  
 Test pressure ..... 1.6MPa (static pressure)
2. The temperature for water supply is 4~90°C. It is recommended to use hot water temperature of 60°C, Do not use steam to supply hot water.
3. The ambient temperature for use is above 0°C. If the ambient temperature is lower than 0°C, the faucets will deform and crack from freezing.
4. Being out of use for a long time may result in internal and external rust to the faucets and being unable to be used.
5. If you want to scrap this product, do not treat it as you do for general household garbage. Please follow relevant statutes to have it treated, recovered and collected appropriately by an independent recovery system.
6. The product in these instructions has a cleaning function.

## Attentions in construction

- ⚠ Warning: it means that ignoring this mark and misoperation may cause serious personal injury and death.
- ⚠ Attention: it means that ignoring this mark and misoperation may cause personal injury or property loss.

### ⚠ Warning

1. The hot water supply side of the faucets is in a condition of high temperature. Do not allow skin to contact with the hardware surface directly. Otherwise, scalding may occur.
2. Do not reverse the cold\*hot water pipes. Otherwise scalding may occur.
3. Do not use steam to supply hot water. Otherwise, scalding may occur.

### ⚠ Attentions

1. Before installation, please ensure the integrity of the product package and the completeness of accessories and attachments, etc. first.
2. Do not impact the product. Otherwise, failure, water leakage may occur.

# Detailed list

## Detailed list

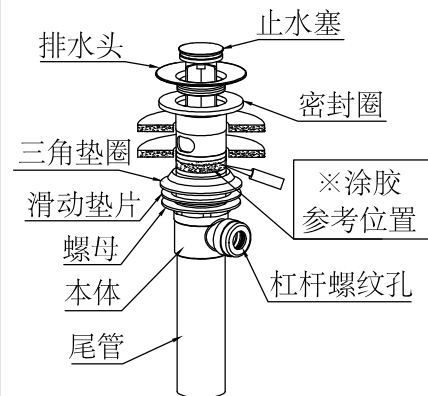
Main body of faucets	1 set
Pressure-resistant hose	2 pieces
Water drainage hardware	1 set
Valve body	2 sets
Handle part	2 sets
Lifting bar	1 piece
Instructions for construction	1 copy
Instructions for operation	1 copy

The products using this detailed list include:  
 TLS01201\* "LB" Wide Spread Faucet  
 TLS02201\* "LN" Wide Spread Faucet

# 水嘴的安装

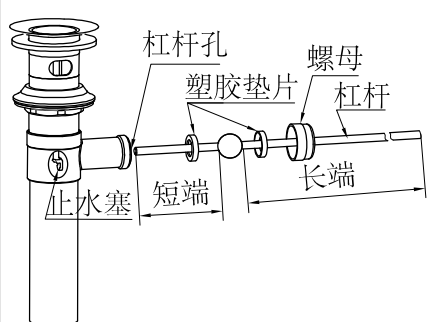
## 6.排水金具的安装

### (1)排水主体安装



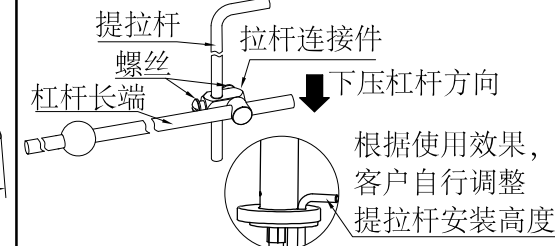
- 把排水头、止水塞、密封圈、尾管从本体上卸下。
- 把尾管螺纹处缠上生料带后拧紧到本体上。
- 将排水头和密封圈放入洗面盆的安装孔，按图示，先将本体上的三角垫圈、滑动垫片、螺母调整至螺纹最下端，与三角垫圈接触的螺纹部整周均匀涂抹适量的长效防霉型中性硅酮密封胶，再将本体部整体从面盆下方安装，拧紧到排水头上，最后拧紧螺母将排水主体固定在面盆上。
- 调节安装杠杆螺纹孔的方向，使其正对墙壁，为避免洗面盆破裂，拧紧螺母时往垫圈方向拧至合适位置即可。

### (2)排水主体安装



- 把螺母从本体上拧下，再按上图所示把杠杆与塑胶垫片装好，然后把杠杆装入到止水塞的小孔中。
  - 将杠杆经过杠杆孔，插入到止水塞孔中，然后把螺母拧紧。
- 注意：**插入杠杆孔时，将杠杆短的一端插入止水塞孔中。

### (3)提拉杆的安装



- 如上图所示：先将杠杆穿过拉杆连接件，然后用连接件将提拉杆与杠杆固定，再调整拉杆连接件的位置，使杠杆与止水塞处于合适位置并用螺丝固定。
- 注意：**如图所示，拧紧螺丝前，请将提拉杆置于本体孔的底端，同时将杠杆长端向下压至止水塞开启最大的位置，然后拧紧螺丝，操作2~3次确保排水金具开关动作正常。
- 如果止水塞不能正常升降，请客户自行调节拉杆连接件与提拉杆和杠杆的位置。

# 生产厂家与销售商

产品型号：见包装箱上的标签

产品名称：见包装箱上的标签

生产日期：见包装箱上的标签

组装工厂：东陶机器(广州)有限公司

厂 址：广州市番禺区南村镇兴南大道715号

东陶(中国)有限公司

全国售后服务电话：800-820-9787(固定电话)

400-820-9787(手机用户)



扫描二维码，  
服务预约，方便快捷

销售商：东陶(中国)有限公司

地 址：北京市朝阳区光华路1号 北京嘉里中心北楼1915室

网 址：www.toto.com.cn

# Contents

## Contents

Contents .....	1
Detailed list .....	2
Use condition and attentions in construction .....	3-4
Maintenance.....	4
Installation completion figure.....	5-6
Faucets installation.....	7-9