

# 施工说明书

## Installation Manual

安装产品前请仔细阅读本施工说明书，并保留备用。  
Before installing the product, please read the Installation Manual carefully and keep it for future reference

# TOTO

# TOTO

安装完成后，本说明书务必交由客户保存。

After installation, the manual must be kept by the customer.

0G244G(B)  
2022.11

# 目录

---

## 目 录

目录·····	1
明细单·····	2
使用条件和施工上的注意·····	3
保养·····	4
安装完成图·····	5-6
水嘴的安装·····	7-9
生产厂家和销售商·····	10

# 明细单

## 明细单

本体 (含养生套) .....	1套
把手部 .....	1套
装饰板 .....	1套
固定板 .....	1套
施工说明书 .....	1本
使用说明书 .....	1本

使用此明细单的产品包括：

- TBS01303\* 铜合金壁式单柄双控暗装浴缸水嘴
- TBS01304\* 铜合金壁式单柄双控暗装浴缸水嘴 (可转换)
- TBS02303\* 铜合金壁式单柄双控暗装浴缸水嘴
- TBS02304\* 铜合金壁式单柄双控暗装浴缸水嘴 (可转换)
- TBS03303\* 铜合金壁式单柄双控暗装浴缸水嘴
- TBS03304\* 铜合金壁式单柄双控暗装浴缸水嘴 (可转换)
- TBS04303\* 铜合金壁式单柄双控暗装浴缸水嘴
- TBS04304\* 铜合金壁式单柄双控暗装浴缸水嘴 (可转换)
- DB341\* 铜合金壁式单柄双控暗装浴缸水嘴
- DB341A\* 铜合金壁式单柄双控暗装浴缸水嘴 (可转换)
- DB358\* 铜合金壁式单柄双控暗装浴缸水嘴
- DB359\* 铜合金壁式单柄双控暗装浴缸水嘴 (可转换)
- DP323\* 铜合金壁式单柄双控暗装浴缸水嘴 (可转换)

# 使用条件与施工上的注意

## 使用条件

1. 供冷水\*热水压力:  
最低压力……………0.05MPa (流动压)  
最高压力……………1.0MPa (静压)  
推荐使用压力………0.1~0.5MPa (流动压)  
检测压力……………1.6MPa (静压)
2. 供水温度在4℃~90℃, 建议使用热水温度60℃, 供热水请勿使用蒸汽。
3. 使用环境温度0℃以上。如果不高于0℃, 水嘴会出现变形、冻裂等现象。
4. 为防止花洒内部损坏, 配套花洒侧吐水温度不得超过60℃, 建议使用温度45℃以下。
5. 长时间不使用时, 可能导致水嘴内部及外部锈蚀不能使用等现象。
6. 如果您需要废弃本产品, 请勿将其作为一般生活垃圾处理, 请依照法规经由独立的回收体系进行合适的处理、恢复和回收。
7. 本说明书中的产品具有清洗功能。

## 施工上的注意

- ⚠ 警告 表示如果无视此标志而误操作时, 有可能造成人员重伤或死亡。  
⚠ 注意 表示如果无视此标志而误操作时, 有可能造成人身伤害或财产损失。

### ⚠ 警告

1. 水嘴的供热水一侧处于高温状态, 请勿使皮肤直接接触五金配件表面, 否则可能会烫伤。
2. 请勿配反冷\*热水配管, 否则可能会烫伤。
3. 供热水请勿使用蒸汽, 否则可能会烫伤。
4. 当直接从吐水口侧切换到淋浴器侧或从淋浴器侧切换到吐水口侧时, 水温会发生变化, 要用手测试水温后再使用, 否则可能会烫伤。

TOTO Asia Oceania Pte. Ltd.

Telephone:65-6744-6955

FAX: 65-6841-0819

Address : 10 Eunos Road 8 #12-07 Singapore Post Centre

Singapore 408600

Website:asia.toto.com

TOTO KOREA LTD.

Telephone:82-2-3141-8236

FAX: 82-2-3141-8240

Address : 3F, Royco Bldg., 112, Tojeong-ro, Mapo-gu,

SEOUL, KOREA

Website : <https://kr.toto.com/>

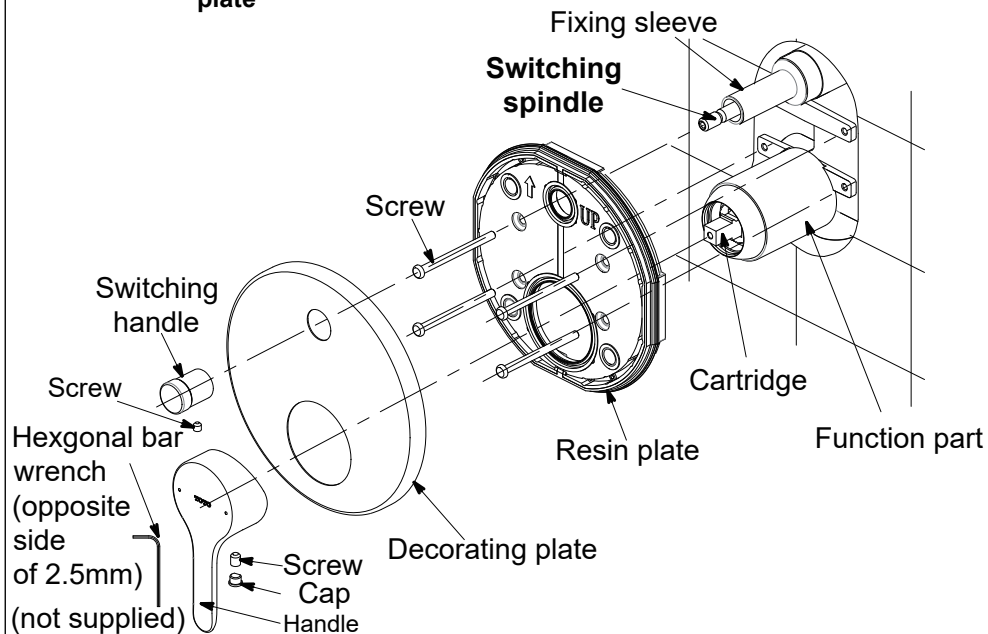


# Faucets installation

## Installation of decorating plate and handle part

As shown in the figure below, install the fixing plate onto the valve body and then use screws to secure the fixing plate onto the wall and install the decorating plate onto the valve body. Then install the handle part onto the spindle, install the knob onto the switching spindle and secure with small screws. At last, install the indicating cover onto the handle.

- Attention:**
- The positions of different spare parts.
  - Tighten the small screws.
  - Do not reverse the handle direction (the red color shows the hot water side and the blue color shows the cold water side).
  - When mating the knob with the switching spindle, insert the knob to the deepest location and then tighten the small screws.
  - The decorating plate must be held down tight on the resin plate



※ Note: For a bath tub faucet other than the above several types, please refer to relevant completion figure and Figure I to determine that the valve body of that bath tub faucet is the same as one of the bath tub faucet valve body versions and then install according to the installation dimensions of the same valve body.

The installation principle for different product examples is substantially the same.

# 保养

## ⚠ 注意

- 由于陶瓷阀芯是较精密的部件，请勿擅自分解，否则可能会造成漏水等不良。
- 请勿撞击本产品，否则可能会造成故障、漏水。
- 随着产品式样的不断更新，实物存在与图示不符的情况，但基本安装、使用原理相同。
- 在可能结冰的场所使用时，要切实做好防冻措施。由于结冰，零件破损，有可能导致漏水，造成财产损失。因结冰而造成的破损即使在保修期内也是有偿修理。请不要让产品的温度低于0℃。

## 防冻措施

在可能结冰的场所使用时，要切实做好防冻措施。

- 产品结冰的话零件损坏，成为漏水的原因。
- 因结冰造成的零件损坏即使在保修期内也是有偿修理。
- 施工完了后或长时间不使用时，要有预防突然降温的准备，要对产品进行结冰预防。
- 因为有结冰的危险，请不要让产品周围的温度在0℃以下。

## 保养

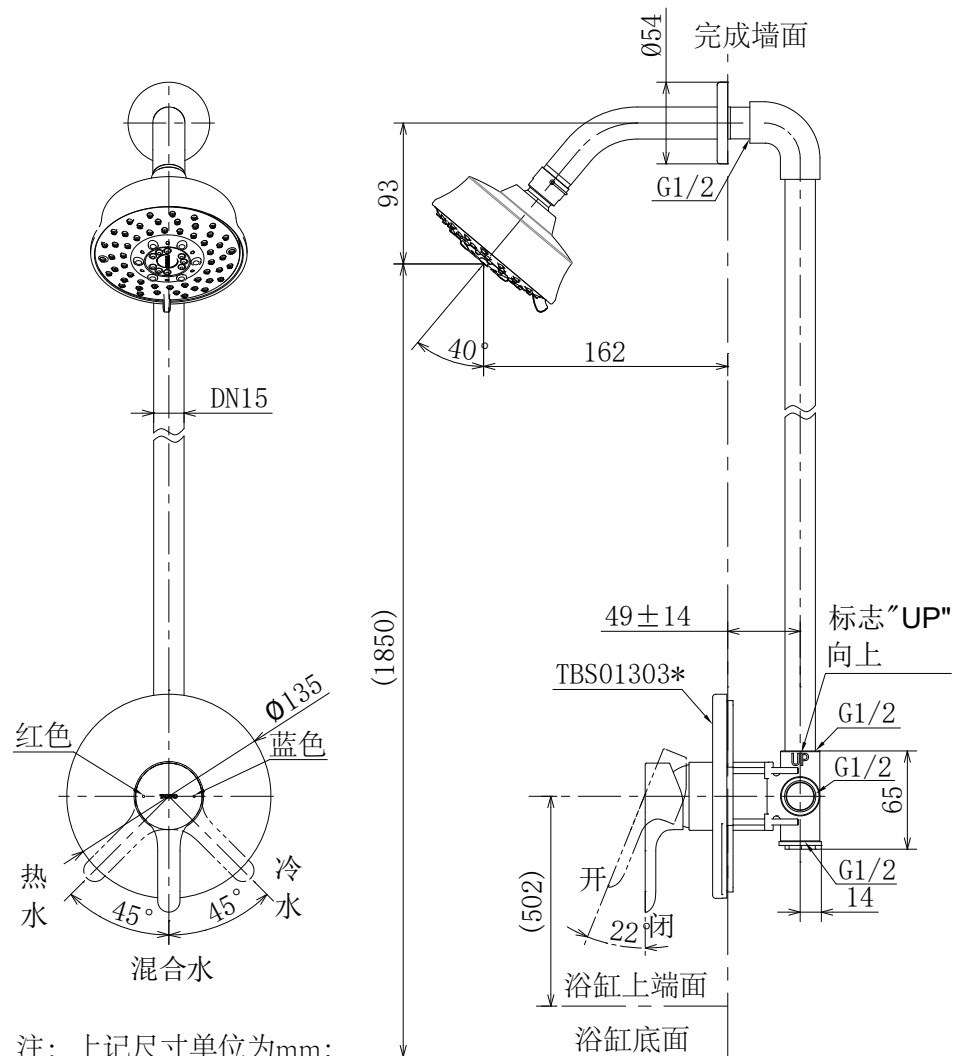
为长期保持产品的美观，请用户按以下方法维护保养。

- 经常用软布擦拭，间或用软布蘸水擦拭。
- 当有污垢且较明显时，请用中性洗涤剂擦拭后充分进行水洗。

# 安装完成图

TBS01303\* 铜合金壁式单柄双控暗装浴缸水嘴与「TOTO」的其他产品配合示意图。

共通品番：TBS02303\*、TBS03303\*、TBS04303\*、DB341\*、DB358\*



注：上記尺寸单位为mm；  
( )内尺寸为参考尺寸。

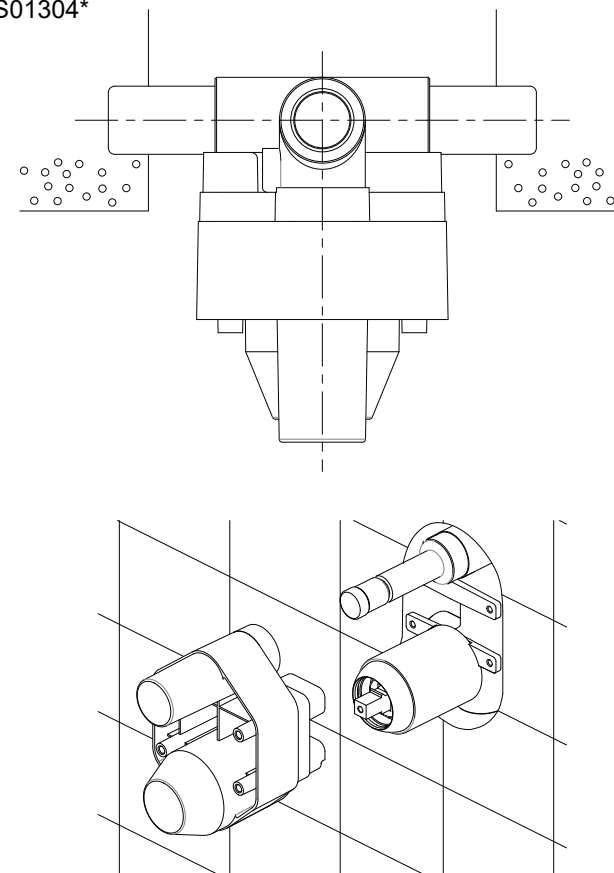
# Faucets installation

As shown in Figure II, install the product in the wall using such fillings as cement, etc.

**Attention:**

- a. It is not allowed that such building materials as cement, etc. adhere to the part outside the wall.
- b. In installation, the product shall keep perpendicular to the wall surface.

Figure II TBS01304\*



**Attention:** For such bath tub faucet as having a sleeve, remove the sleeve and loosen the screws. Pull the sleeve out. (After installation, the sleeve will function no longer.)

# Faucets installation

## 1. Cleaning the inside of water supply pipe

Before installing the faucet it is imperative to wash and flush out the dust, sand, etc. in the water supply pipe.

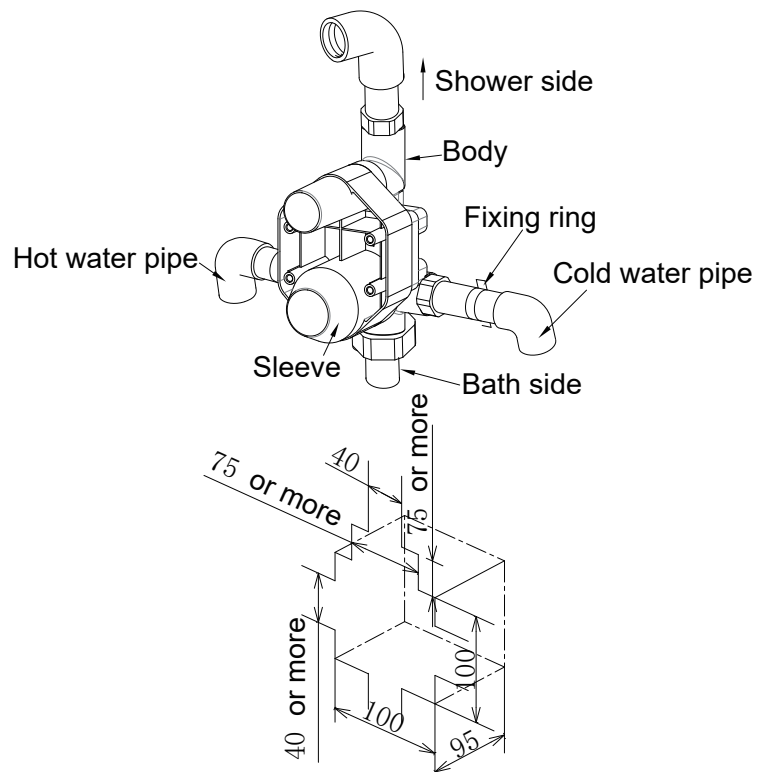
## 2. Installation of main body of bath tub faucet

As shown in Figure I, connect properly the main body of bath tub faucet with corresponding pipe and then cut a groove on the wall according to the beginning of the product.

### Attention:

- Before bath tub faucet installation, be sure to do water testing to prevent such poor conditions as water leakage, etc.
- In groove cutting, be sure to meet the dimensions as shown in the figure.

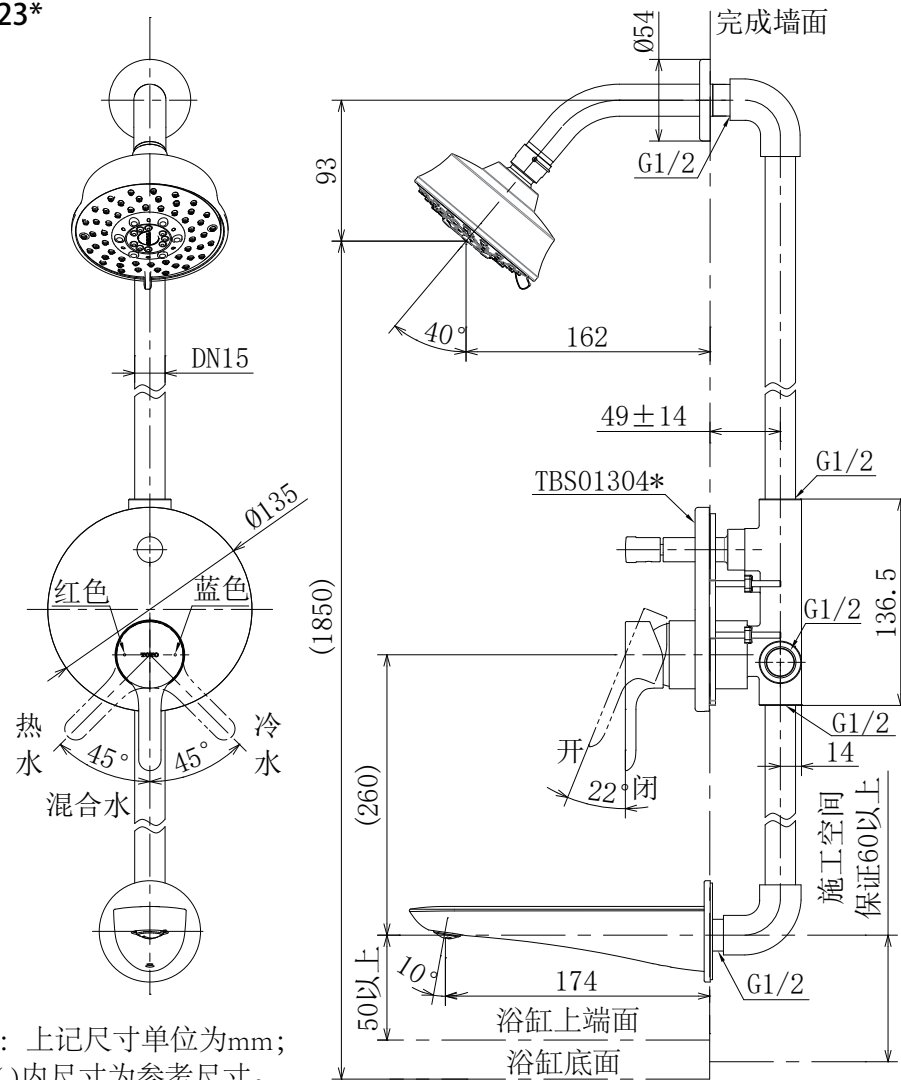
Figure I TBS01304\*



# 安装完成图

TBS01304\* 铜合金壁式单柄双控暗装浴缸水嘴与「TOTO」的其他产品配合示意图。

共通品番：TBS02304\*、 TBS03304\*、 TBS04304\*、 DB341A\*、 DB359\*、 DP323\*



注：上記尺寸单位为mm；  
( )内尺寸为参考尺寸。

# 水嘴的安装

## 1.供水管内的清扫

水嘴安装前必须先将供水管内的尘埃、砂砾等到完全洗净、冲出。

## 2.水嘴主体的安装

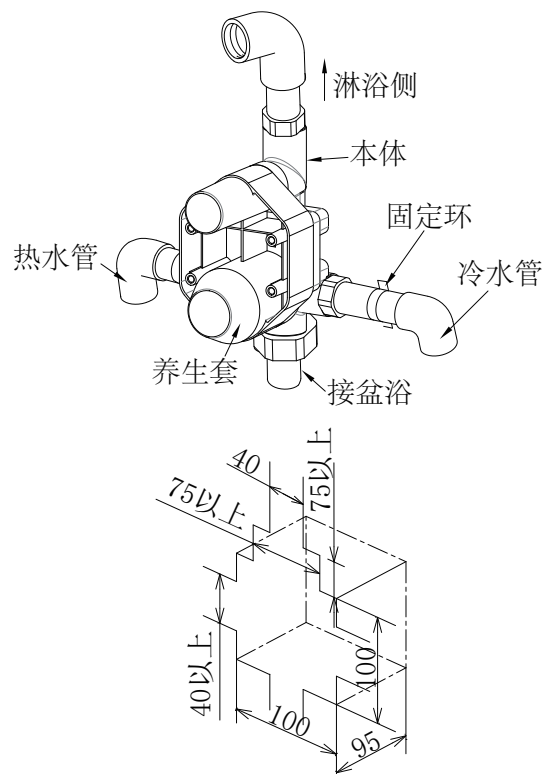
①如图I所示，事先把水嘴主体和相应的管子连接好，然后比照产品的开口在墙面开槽。

注意：a.在水嘴安装前，务必试水，以防漏水等不良。

b.在开槽时，务必满足图示尺寸。

图I

例：TBS01304\*

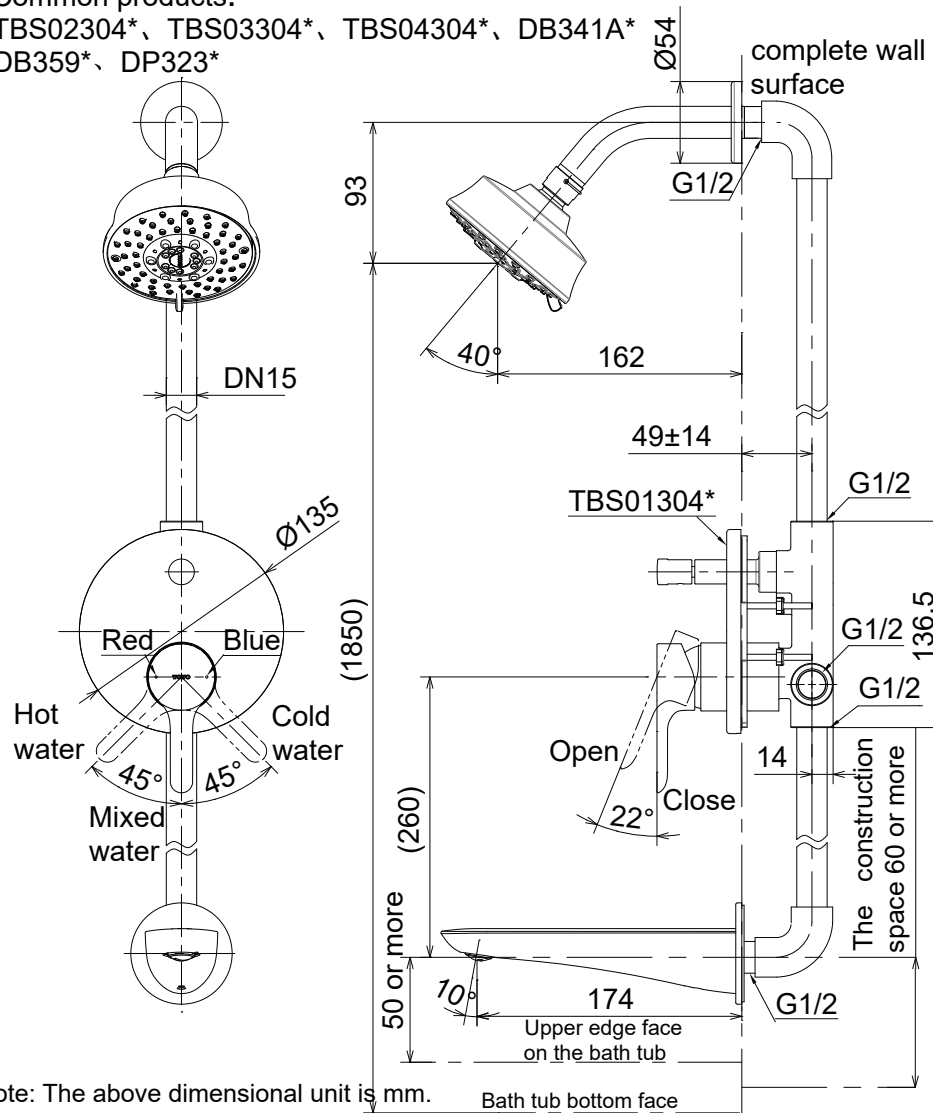


# Installation completion figure

Schematic diagram for the mating of TBS01304\* "LB" Concealed Mixing Valve with Diverter with other TOTO products

Common products:

TBS02304\*、TBS03304\*、TBS04304\*、DB341A\*  
DB359\*、DP323\*



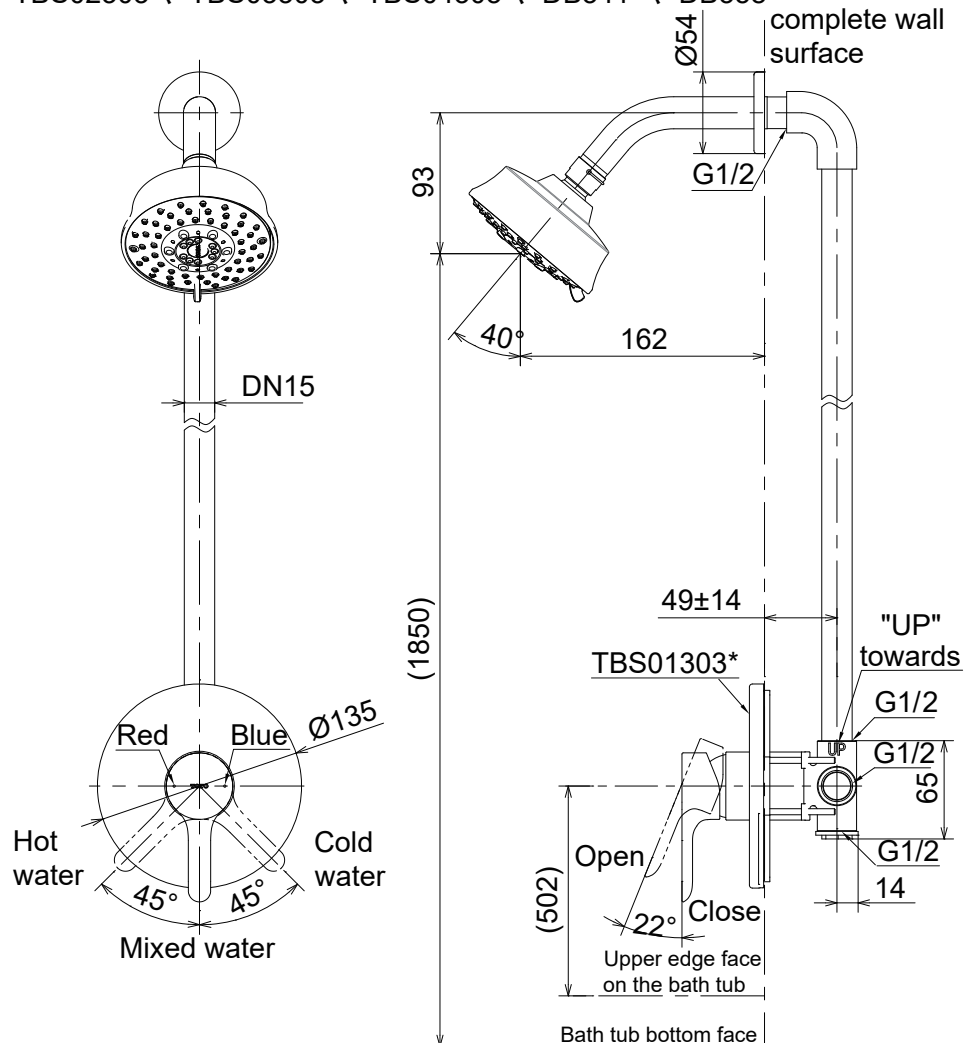
Note: The above dimensional unit is mm.  
The dimensions in ( ) are reference ones.

# Installation completion figure

Schematic diagram for the mating of TBS01303\* "LB" Concealed Mixing Valve with other TOTO products

Common products:

TBS02303\*、TBS03303\*、TBS04303\*、DB341\*、DB358\*



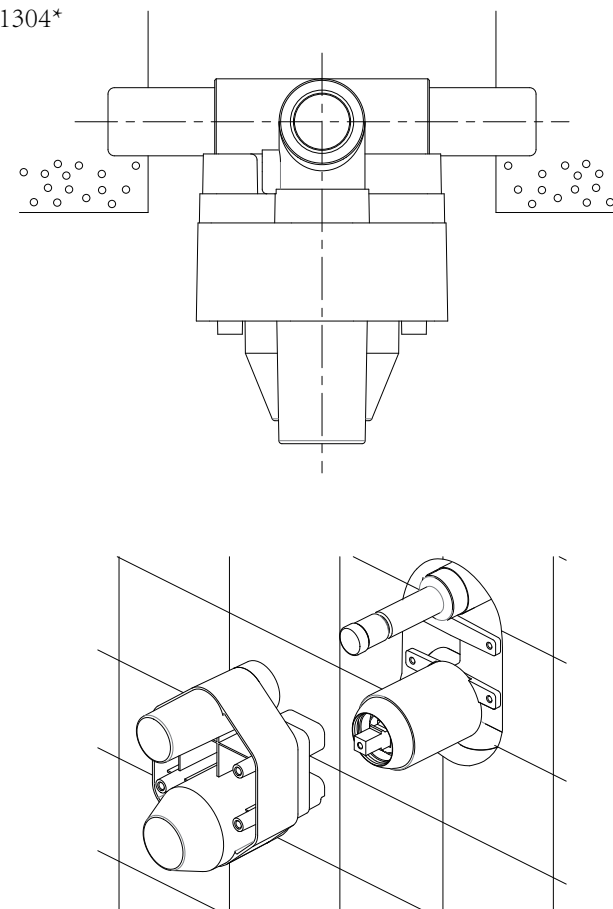
Note: The above dimensional unit is mm.  
The dimensions in ( ) are reference ones.

# 水嘴的安装

②如图II所示，用水泥等填料将产品安装在墙内。  
注意：a.露出墙外的部分不得沾上水泥等建筑材料。  
b.安装时产品应与墙面保持垂直。

图II

例：TBS01304\*



注意：带有养生套的水嘴，拆下养生套松开螺丝，把养生套拉出。  
(安装完后养生套将不再起作用。)

# 水嘴的安装

## 装饰板与把手部安装

如图所示，将固定板装到阀体上，然后用螺丝钉将固定板固定在墙上，再将装饰板装到阀体上，然后将把手部装到阀芯上，将捏手装到切替心轴上，并用小螺丝固定。最后将表示盖装到把手上。

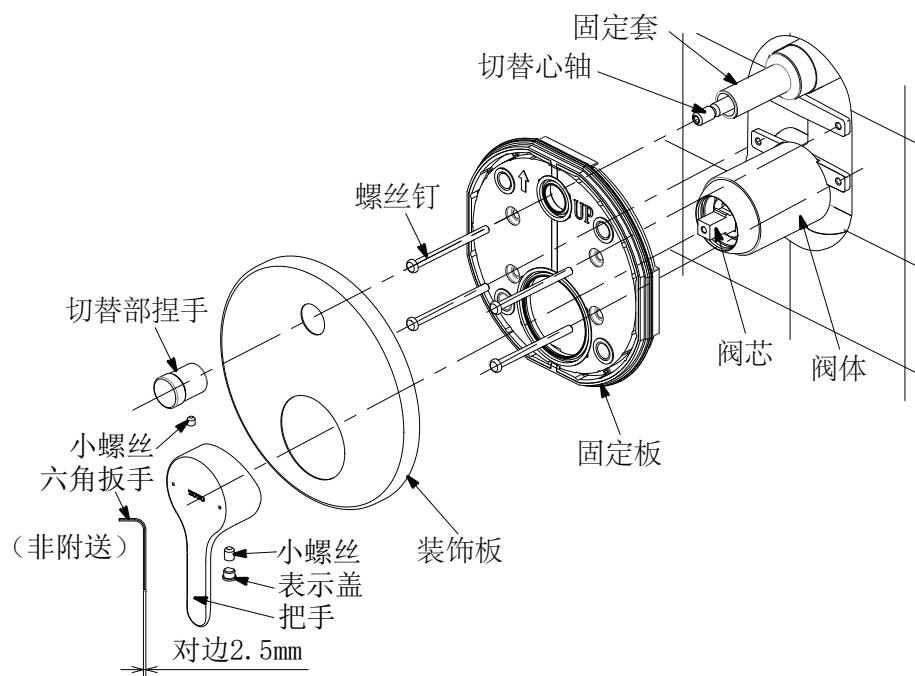
注意：a.各个零件的位置。

b.拧紧小螺丝。

c.不要装反把手的方向（红色表示热水侧，蓝色表示冷水侧）。

d.捏手与切替心轴配合时，将捏手插到最深处，再将小螺丝拧紧。

e.装饰板要压紧在固定板上。



※注：以上几种型号之外的水嘴，请参考完成图及图1确定该水嘴阀体与以上其中一款水嘴阀体相同后，再按其相同阀体的安装尺寸进行安装。  
不同示例产品的安装原理基本相同。

# Maintenance

## ⚠ Attention

1. As the ceramic cartridge is a precise component, do not dismantle it without authorization. Otherwise, such poor conditions as water leakage, etc. may be caused.
2. Do not impact the product. Otherwise, failure, water leakage may occur.
3. With the product design being updated constantly, the physical object may not coincide with the figure. However, the basic principle for installation, use is the same.
4. When using in places where frost damage may occur, anti-freezing measures must be taken.  
The parts will be damaged due to frost damage, which may cause water leakage and property loss. Damages caused by frost damage are repaired for a fee even during the warranty period. Please ensure that the ambient temperature of the product is always above 0°C.

## Anti-freezing measures

When using in places where frost damage may occur, anti-freezing measures must be taken.

1. The parts will be damaged due to frost damage, which may cause water leakage.
2. Damaged parts caused by frost damage are repaired for a fee even during the warranty period.
3. After the construction is completed or when it is not used for a long time, prepare to prevent sudden drop of temperature and prevent the product from frost damage.
4. Because of the risk of frost damage, please ensure that the ambient temperature of the product is always above 0°C.

## Maintenance

To maintain a beautiful appearance of the product, the user is requested to conduct maintenance and care in the following method.



1. Wipe with a piece of soft cloth frequently and use a piece of soft cloth dipped in water to wipe from time to time.
2. When dirt exists obviously, please use water to wash sufficiently after wiping with a neutral detergent.

# Use condition and attentions in construction

## Use condition

1. Cold water supply\*hot water supply pressure  
Minimum pressure ..... 0.05MPa (flow pressure)  
Maximum pressure ..... 1.0MPa (static pressure)  
Recommended Operating pressure .....0.1 ~0.5MPa (flow pressure)  
Test pressure ..... 1.6MPa (static pressure)
- 2.The temperature for water supply is 4~90°C. Recommended hot water temperature 60 °C,Do not use steam to supply hot water.
- 3.The ambient temperature for use is above 0°C. If the ambient temperature is lower than 0 °C, the faucets will deform and crack from freezing.
- 4.To prevent internal sprinkler damage, the water outlet temperature on the sprinkler side shall not exceed 60°C. It is suggested to use a temperature below 45°C .
- 5.Being out of use for a long time may result in internal and external rust to the faucets and being unable to be used.
- 6.If you want to scrap this product, do not treat it as you do for general household garbage. Please follow relevant statutes to have it treated, recovered and collected appropriately by an independent recovery system.
- 7.The product in these instructions has a cleaning function.

## Attentions in construction

-  Warning: it means that ignoring this mark and misoperation may cause serious personal injury and death.
-  Attention: it means that ignoring this mark and misoperation may cause personal injury or property loss.

### Warning

- 1.The hot water supply side of the faucets is in a condition of high temperature. Do not allow skin to contact with the hardware surface directly. Otherwise, scalding may occur.
- 2.Do not reverse the cold\*hot water pipes. Otherwise scalding may occur.
- 3.Do not use steam to supply hot water. Otherwise, scalding may occur.
- 4.When switching directly from the water outlet side to the shower side or from the shower side to the water outlet side, the water temperature may change. Be sure to use after measuring the water temperature with hand. Otherwise, scalding may occur.

# 生产厂家与销售商

执行标准：见包装箱上的标签

产品型号：见包装箱上的标签

产品名称：见包装箱上的标签

生产日期：见包装箱上的标签

组装工厂：东陶机器(广州)有限公司

电 话：(020) 34764020

厂 址：广州市番禺区南村镇兴南大道715号

东陶(中国)有限公司

全国售后服务电话：800-820-9787(固定电话)

400-820-9787(手机用户)



扫描二维码，  
服务预约，方便快捷

销售商：东陶(中国)有限公司

地 址：北京市朝阳区光华路1号 北京嘉里中心北楼1915室

网 址：www.toto.com.cn



# Contents

---

## Contents

Contents .....	1
Detailed list .....	2
Use condition and attentions in construction .....	3
Maintenance.....	4
Installation completion figure.....	5-6
Faucets installation.....	7-9

# Detailed list

---

## Detailed list

Main body of faucets(include sleeve).....	1 set
Handle part .....	1 set
Decorating plate .....	1 set
Resin plate .....	1 set
Instructions for construction .....	1 copy
Instructions for operation .....	1 copy

The products using this detailed list include:

- TBS01303\* "LB" Concealed Mixing Valve
- TBS01304\* "LB" Concealed Mixing Valve with Diverter
- TBS02303\* "LN" Concealed Mixing Valve
- TBS02304\* "LN" Concealed Mixing Valve with Diverter
- TBS03303\* "LC" Concealed Mixing Valve
- TBS03304\* "LC" Concealed Mixing Valve with Diverter
- TBS04303\* "LF" Concealed Mixing Valve
- TBS04304\* "LF" Concealed Mixing Valve with Diverter
- DB341\* "RESNA-S" Concealed Mixing Valve
- DB341A\* "RESNA-S" Concealed Mixing Valve with Diverter
- DB358\* "RUFICE" Concealed Mixing Valve
- DB359\* "RUFICE" Concealed Mixing Valve with Diverter
- DP323\* "Camille" Concealed Mixing Valve with Diverter