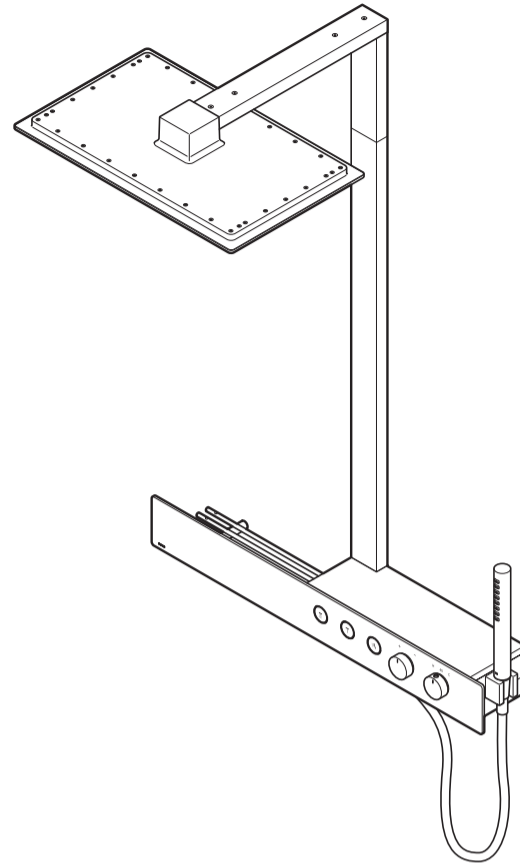


TOTO

CN 挂壁式恒温混合龙头

EN Thermostat Shower Column
(Shelf Type)

TBW0541型 / TBW0541 Type
TBW0542型 / TBW0542 Type



CN ◆ 为保证商品功能得到充分发挥，请按本施工说明书内容正确安装。
安装后，请充分向顾客说明如何使用。

EN ◆ Install this product according to this Installation Manual so that the product functions properly.
When the installation is over, fully explain how to use the product to the customer.

安全注意事项 (为安全起见, 请务必遵守)

安装前, 请仔细阅读本“安全注意事项”并正确安装。

● 为确保安全及正确安装商品, 防止对顾客及他人造成危害及财产损失, 本说明书进行了各种标示。标示及其含义如下。

● 本说明书将通过以下图示对希望遵守内容的种类进行划分及说明。

	警告	表示如果无视此标示栏的内容进行错误操作, 将有可能造成人员死亡或受重伤。
	注意	表示如果无视此标示栏的内容进行错误操作, 将有可能发生伤害或物损。

	表示不允许实施的“禁止”内容。 左图表示“禁止分解”。
	表示务必执行的“强制”内容。 左图表示“务必执行”。

注 意	
	请勿施加强力及冲击 将有可能导致龙头损坏, 发生因漏水致使家庭财产浸水等财产损失。
	请勿设置在可能冻结的场所 将有可能导致零部件损坏, 发生因漏水致使家庭财产浸水等财产损失。

警 告	
	请勿配反冷热水管 将有可能导致打开冷水却流出热水造成烫伤的情况。
	供热水温度不可在超过85°C的高温下使用 如果在超过85°C的高温下使用, 将有可能导致龙头使用寿命缩短、损坏, 发生烫伤或因漏水致使家庭财产浸水等财产损失。
	禁止分解 除本说明书所记载项目外, 请勿进行分解、改造 将有可能导致龙头损坏, 发生烫伤、受伤或因漏水致使家庭财产浸水等财产损失。
	务必进行温度调节, 以确保按刻度出热水 根据使用条件, 有时会出现不按刻度出热水造成烫伤的情况。
	清扫过滤网时, 请务必先彻底关闭止水阀或管道总开关再拧开上盖 另外, 还要确认热水侧止水阀部位是否发烫 将有可能因出高温热水, 发生烫伤或因漏水致使家庭财产浸水等财产损失。

Safety Precautions (Follow all precautions carefully to ensure a safe installation.)

Please read these Safety Precautions before installation work in order to ensure a proper installation.

● This manual employs various symbols in order to indicate safe and proper installation and to prevent injuries to people or property damage. The symbols and meanings are as follows:

● The actions you must observe are classified into the following symbols; their meanings are explained.

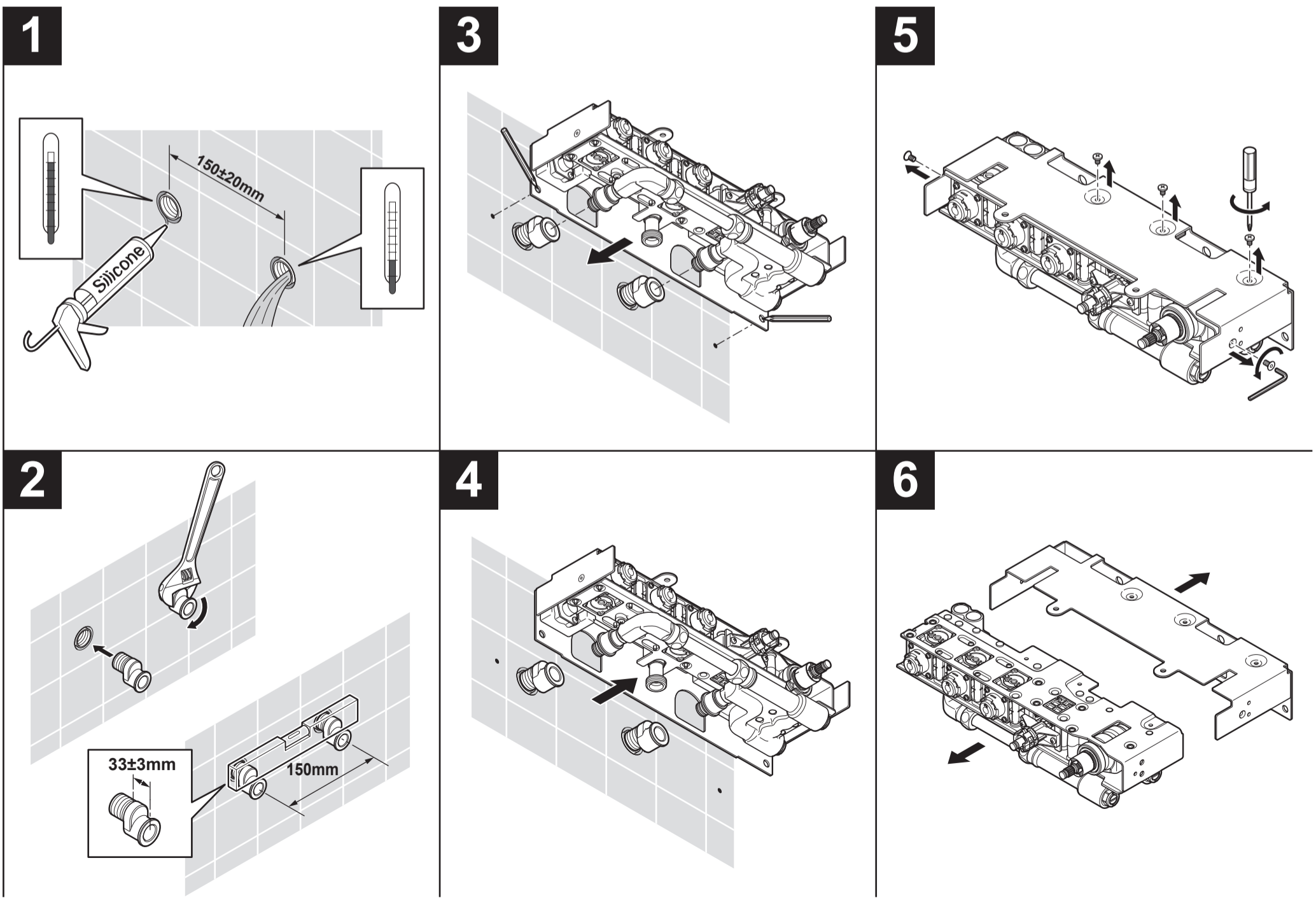
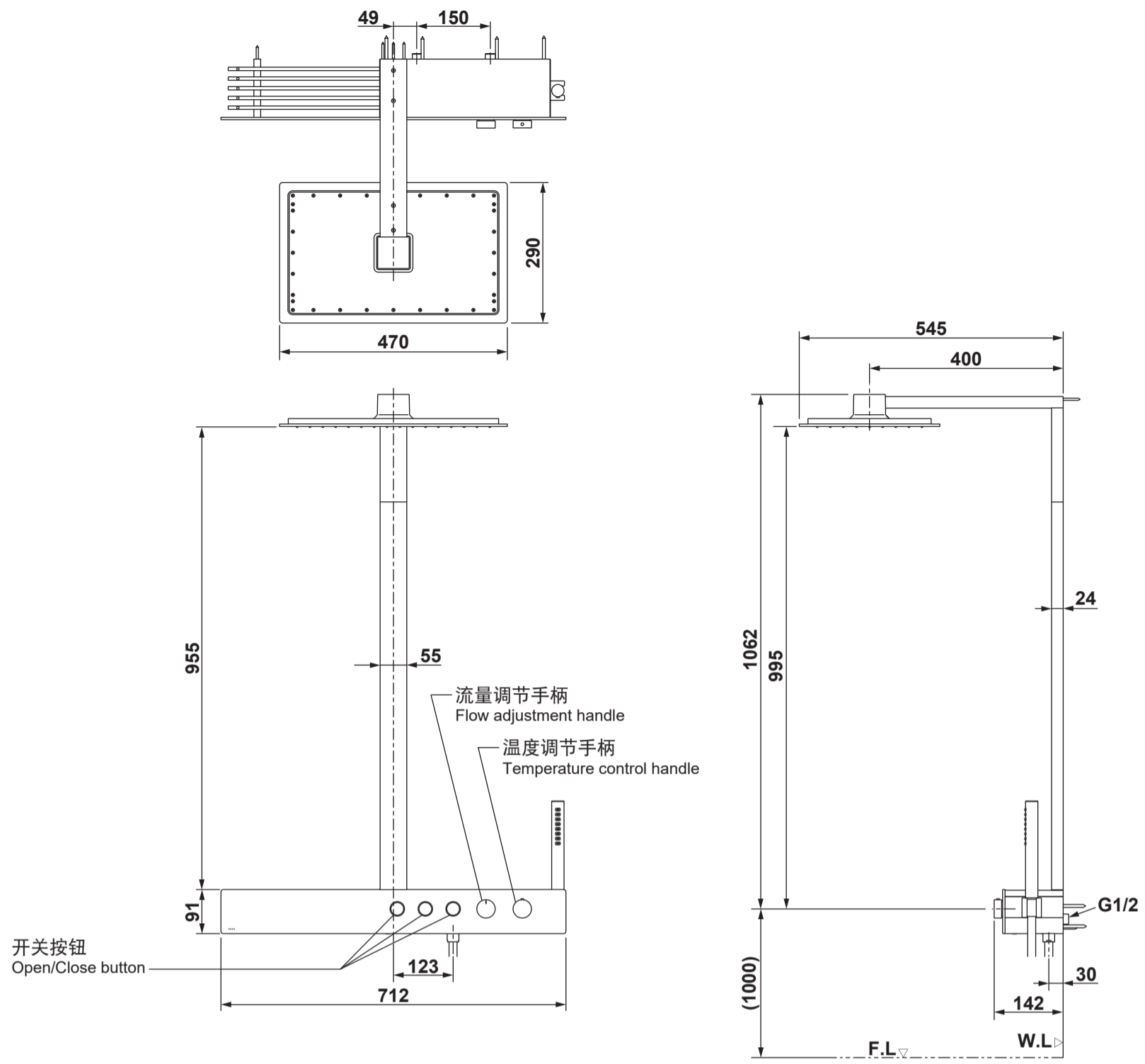
	WARNING	This symbol means that if the action indicated by the symbol is ignored or mishandled, death or serious injury may occur.
	CAUTION	This symbol means that if the action indicated by the symbol is ignored or mishandled, injury or property damage may occur.

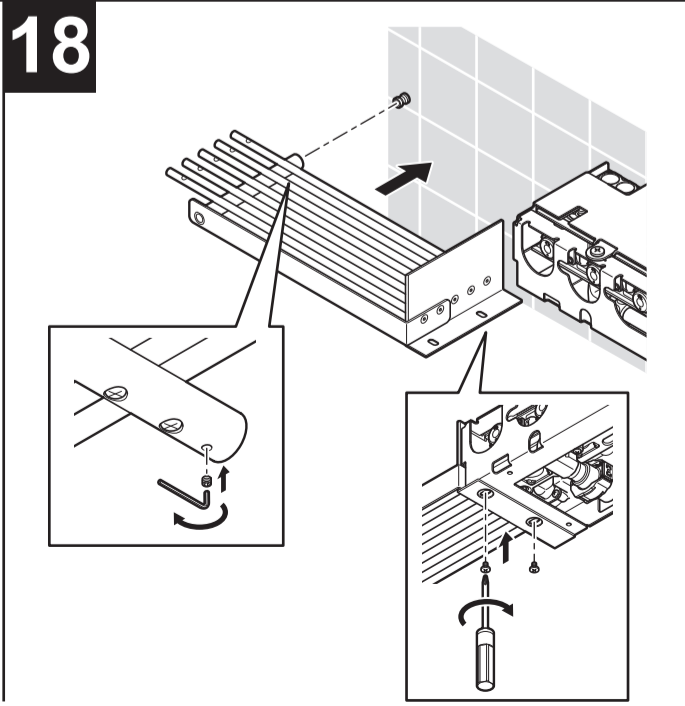
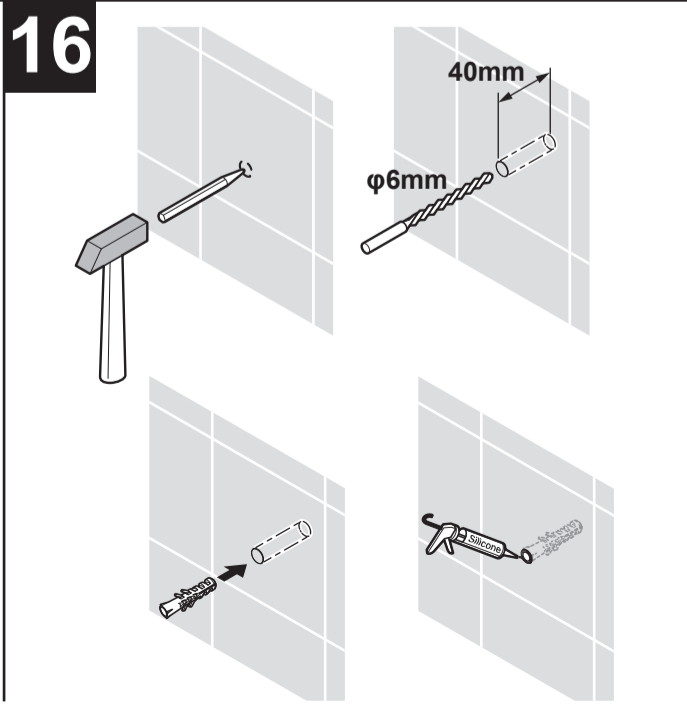
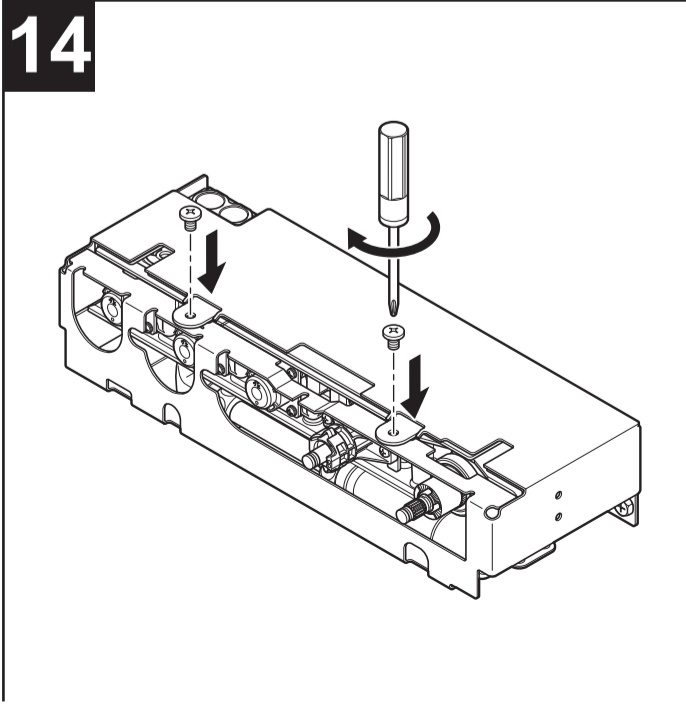
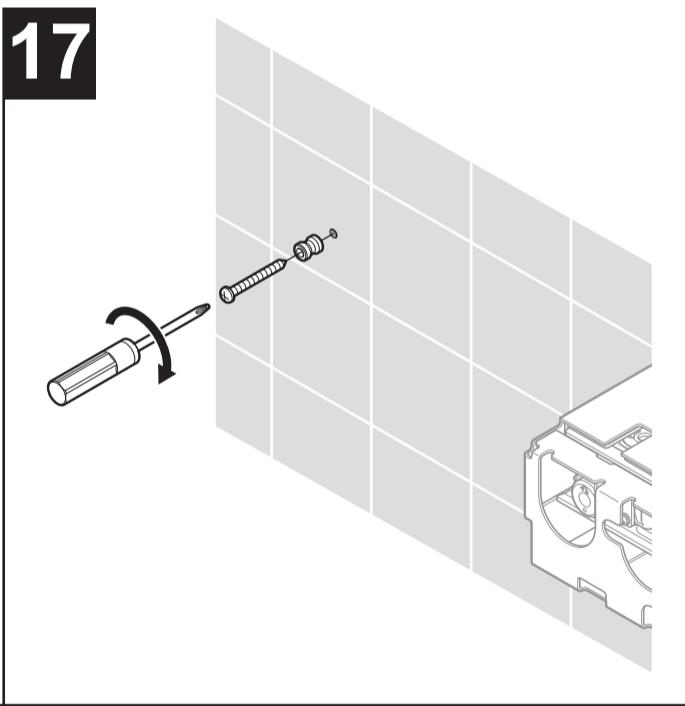
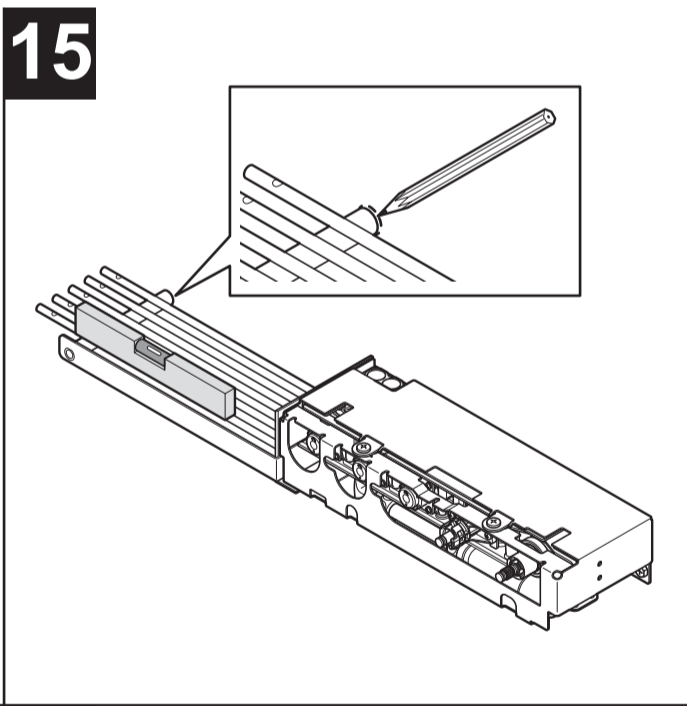
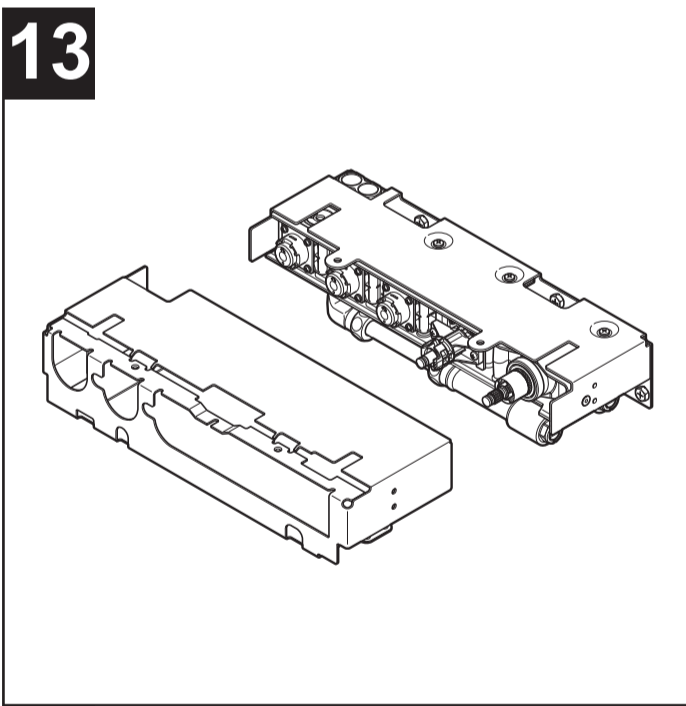
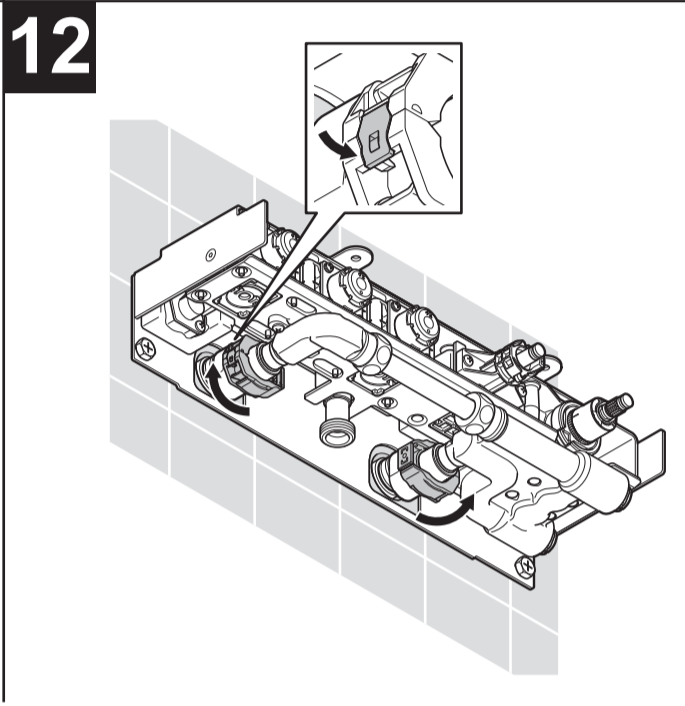
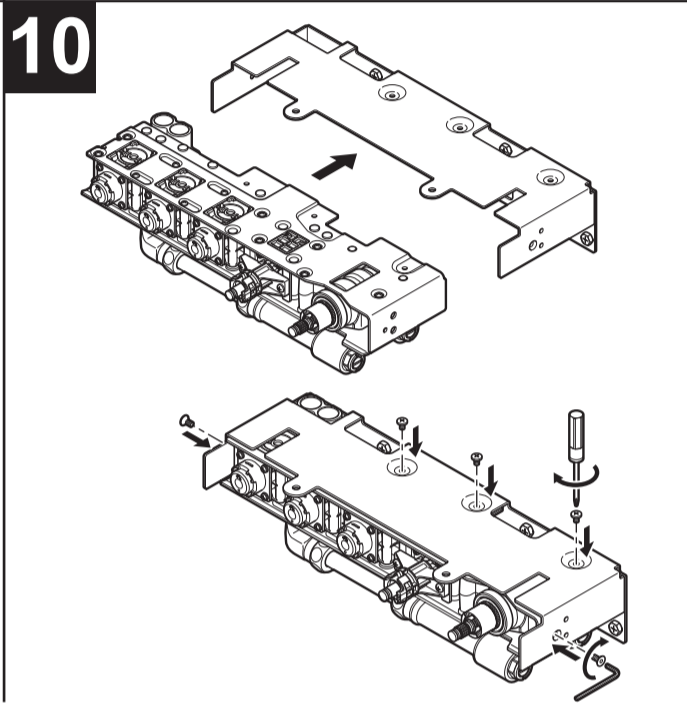
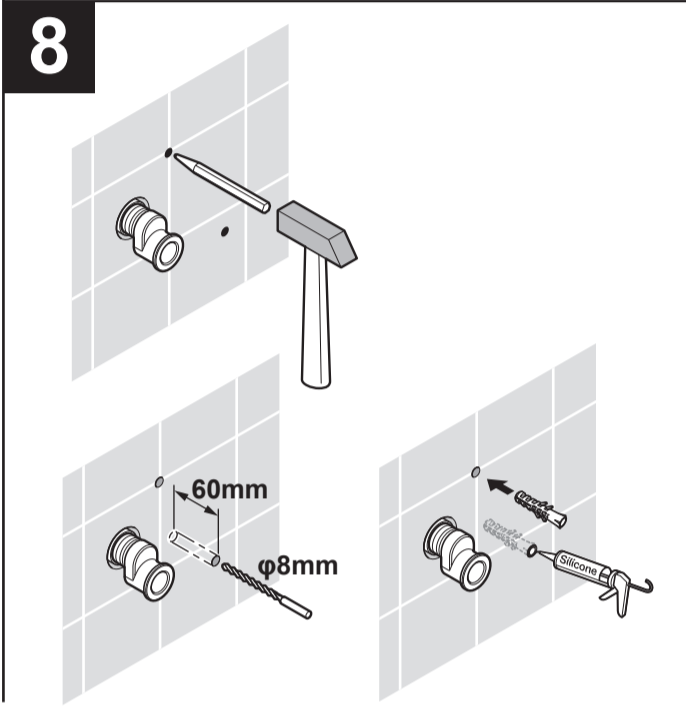
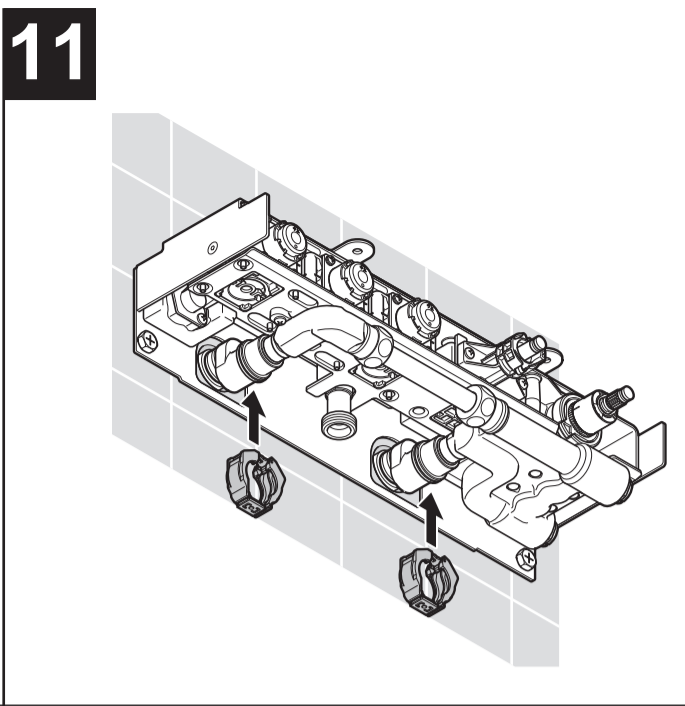
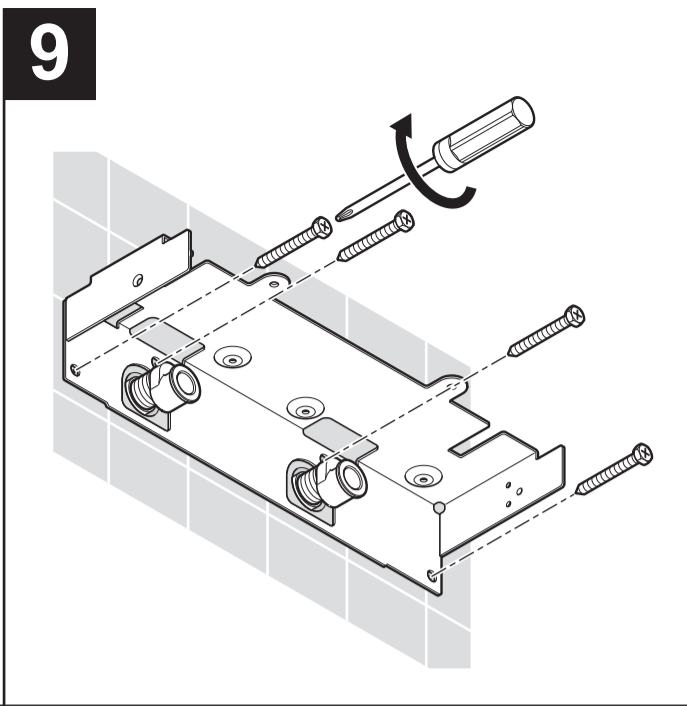
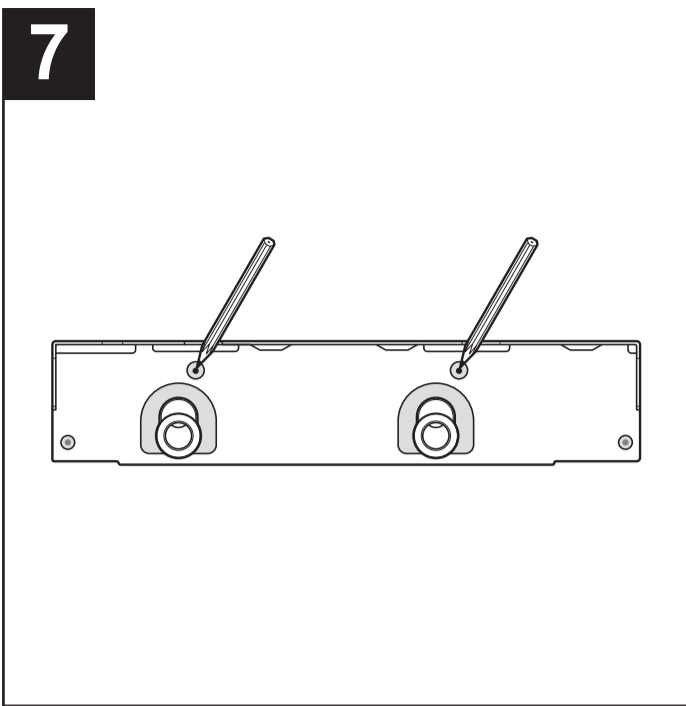
	Actions that you must NOT do are indicated as "Prohibited". The left figure signifies that "Disassembly is Prohibited".
	Actions that you must do without fail are indicated as "Mandatory". The left figure signifies that it is "Mandatory".

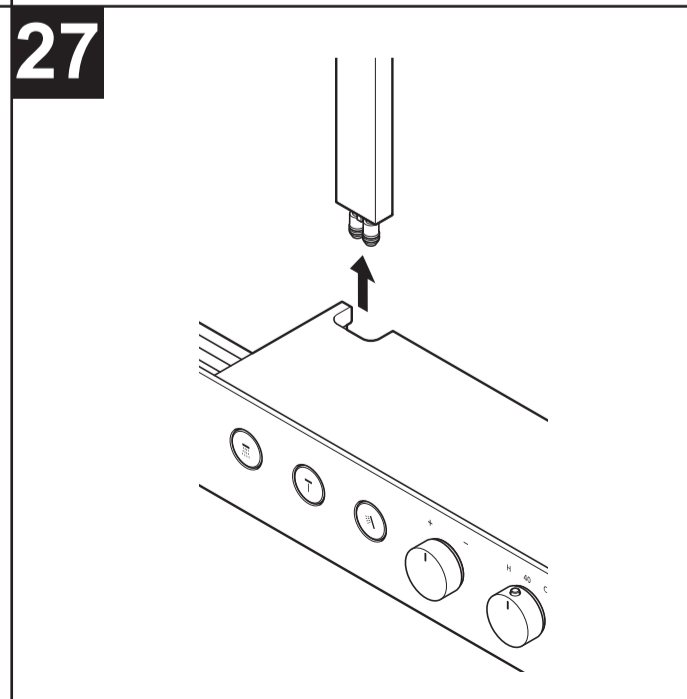
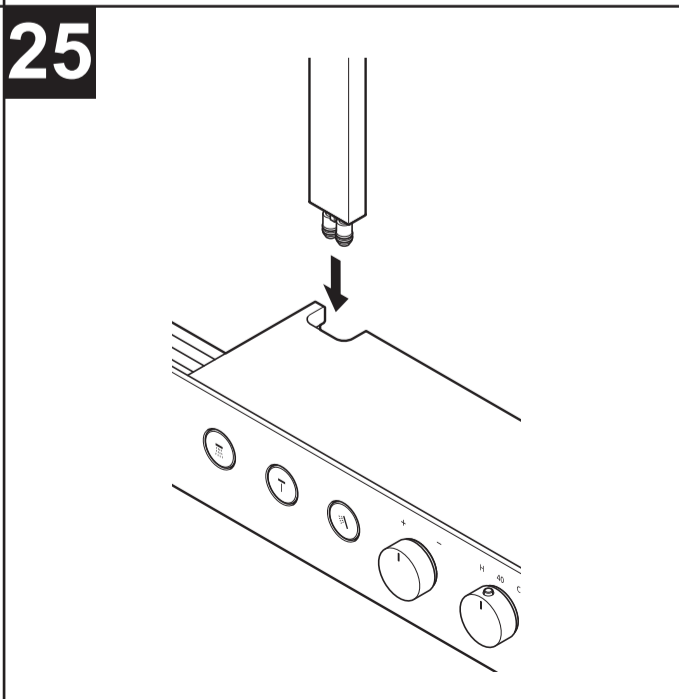
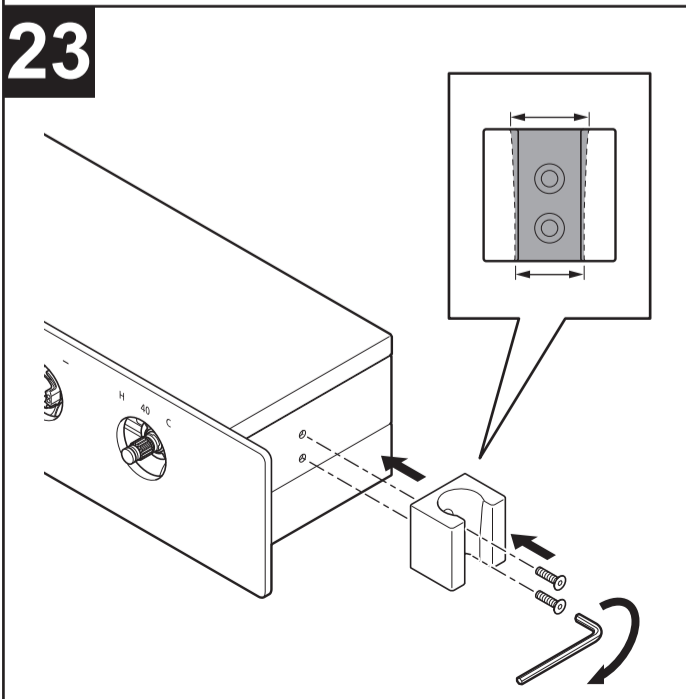
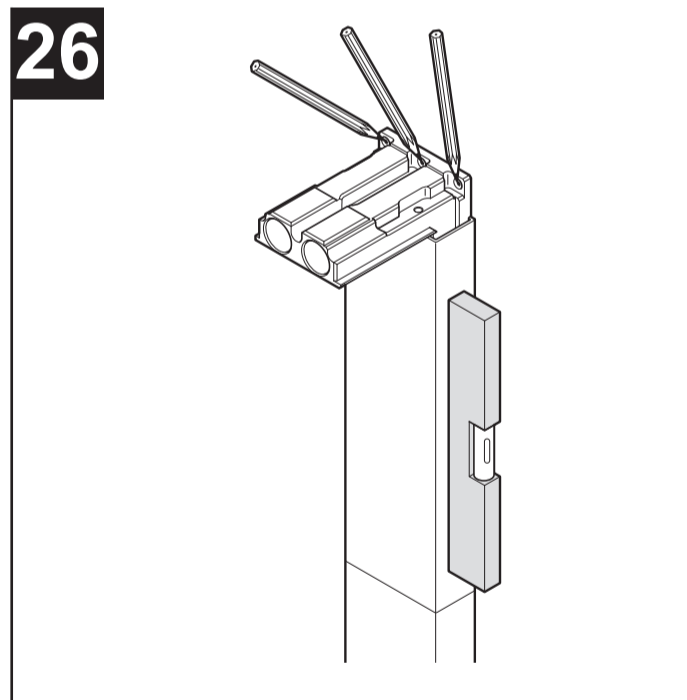
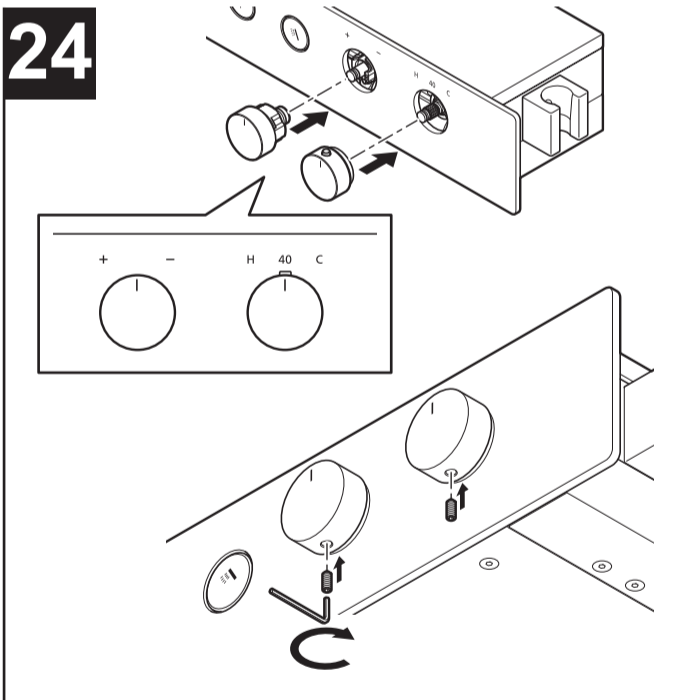
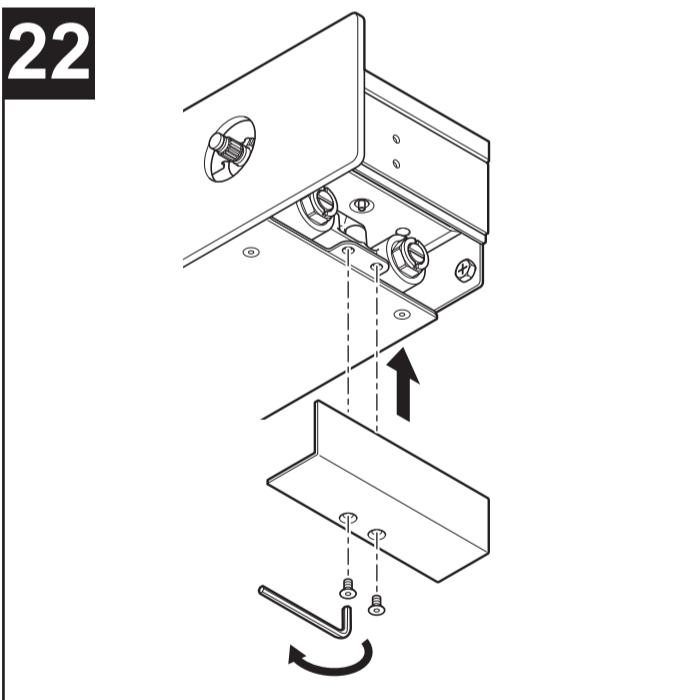
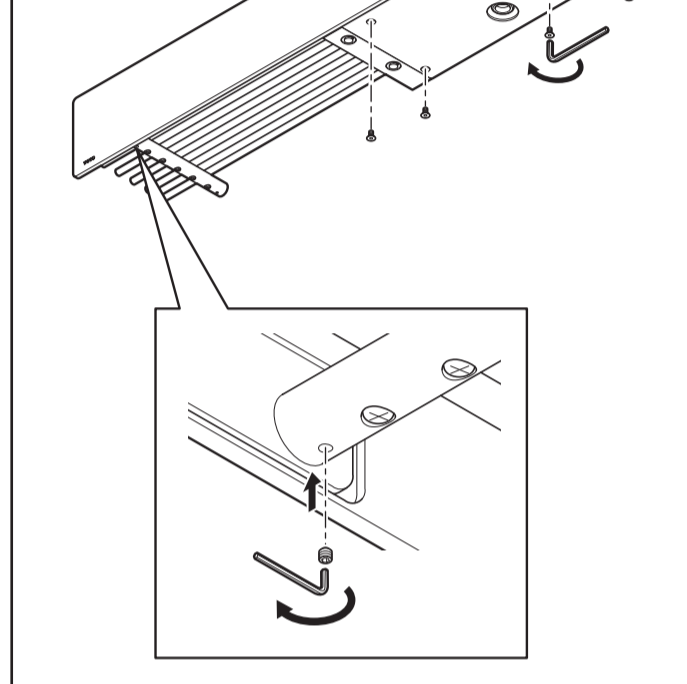
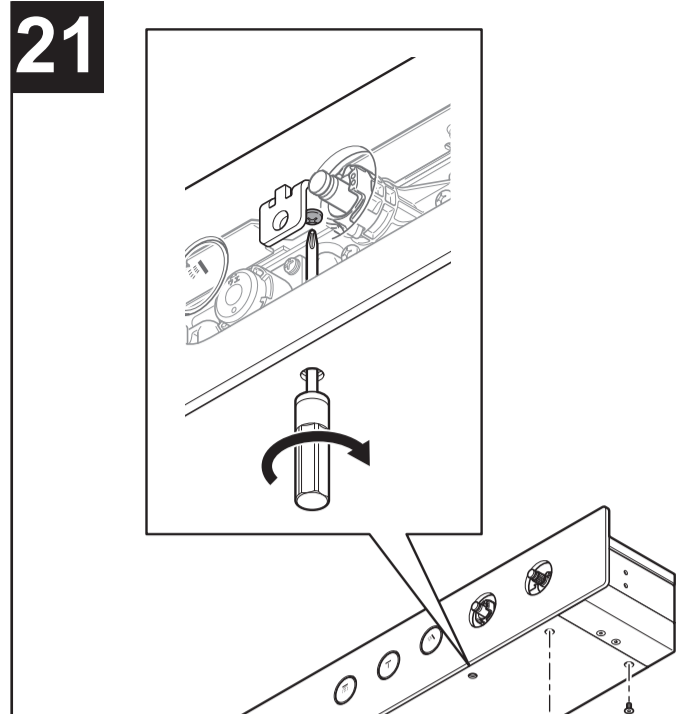
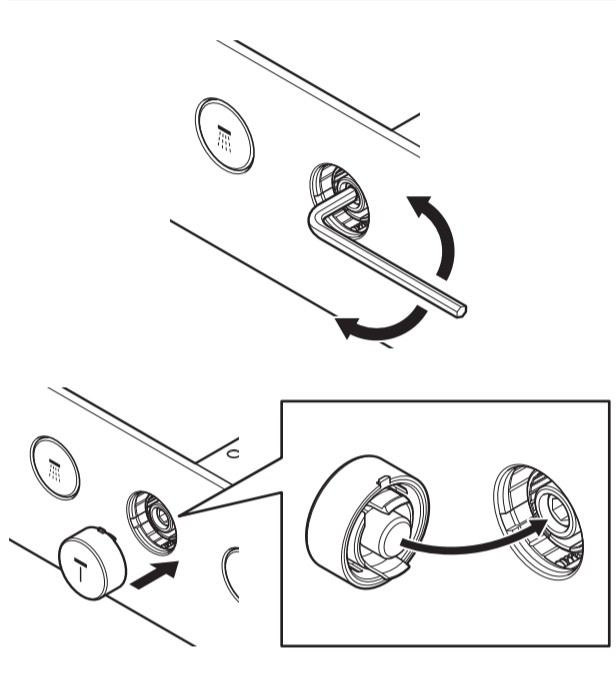
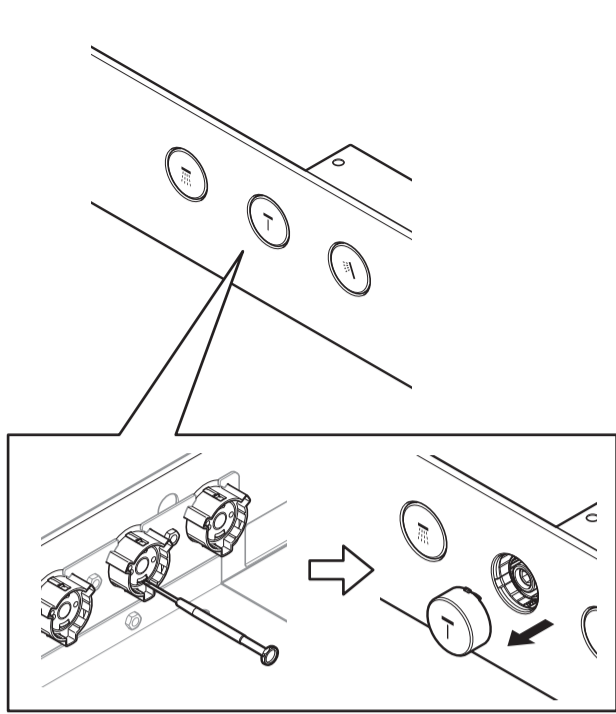
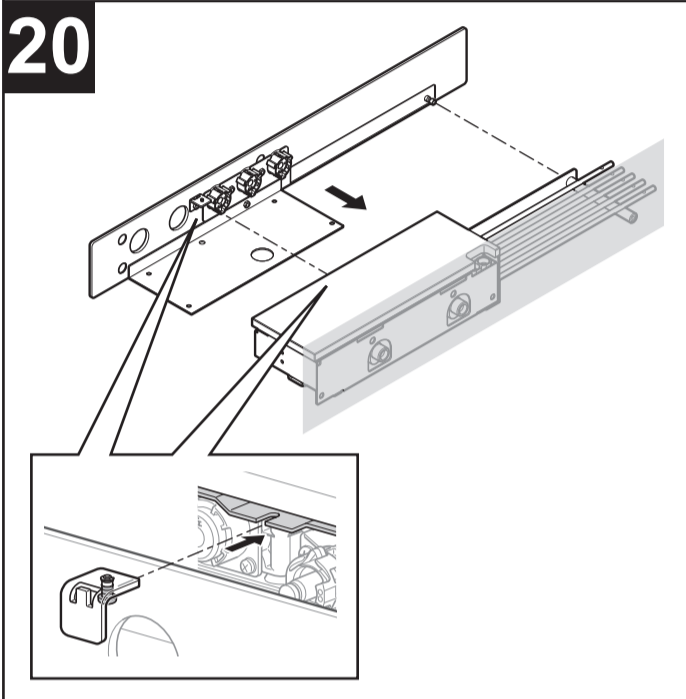
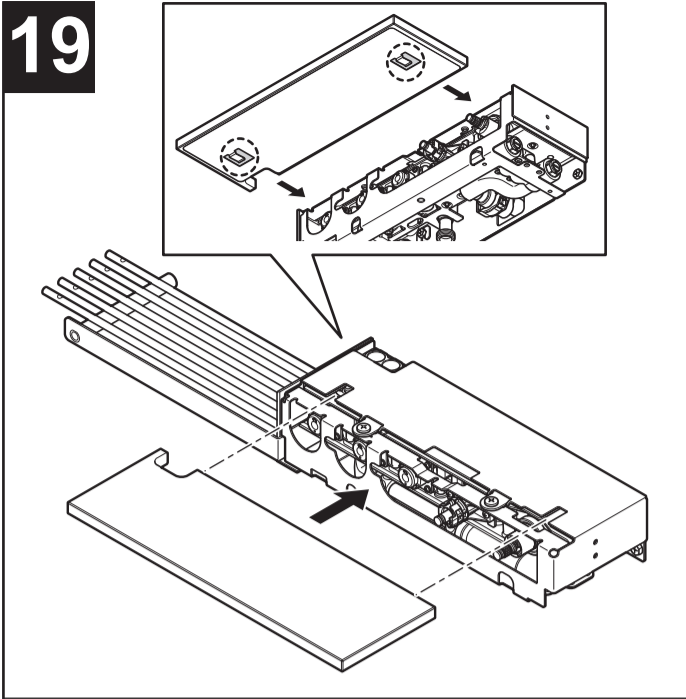
WARNING	
	Be sure to adjust the temperature so that the water comes out according to the scale. Depending on the conditions of use, there is a risk that the hot water coming out may not be according to the scale and the user may get burned.
	When cleaning the filter, be sure to firmly turn off the stop valve or the stopcock for the piping before loosening the lid. Also, check that the stop valve part on the hot water side is not hot. There is a risk that hot water at a high temperature may come out and result in burns, or that damage to property may occur if household belongings get wet due to water leakage.

WARNING	
	Do not reverse the hot and cold water inlets. If reversed, turning on the cold water will instead result in hot water that may scald you.
	Hot water supply temperature must not exceed 85°C. If you use the water at a temperature higher than 85°C, the water may scald you and may shorten the life of the product or damage the product and cause leakage resulting in water damage to property.
	Do not disassemble or remodel the product in any way other than what is described in this manual. Improper modifications may cause scalding water that can injure you and may damage the product and cause leakage resulting in water damage to property.

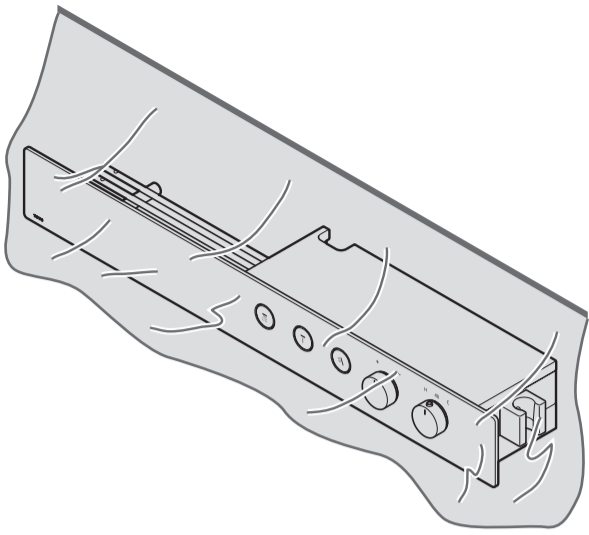
CAUTION	
	Do not subject the product to strong force or impact. Strong forces or impacts may damage the product and cause leakage resulting in water damage to property.
	Do not use the product in places that have freezing temperatures. Freezing may damage the product or parts and cause leakage resulting in water damage to property.



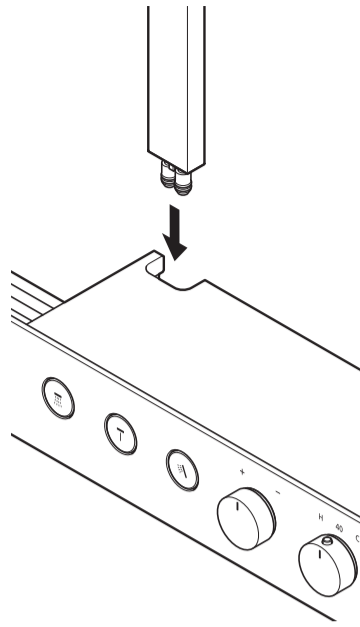




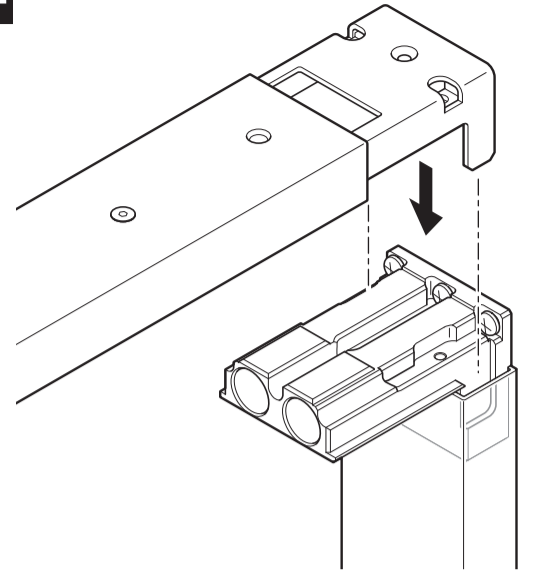
28



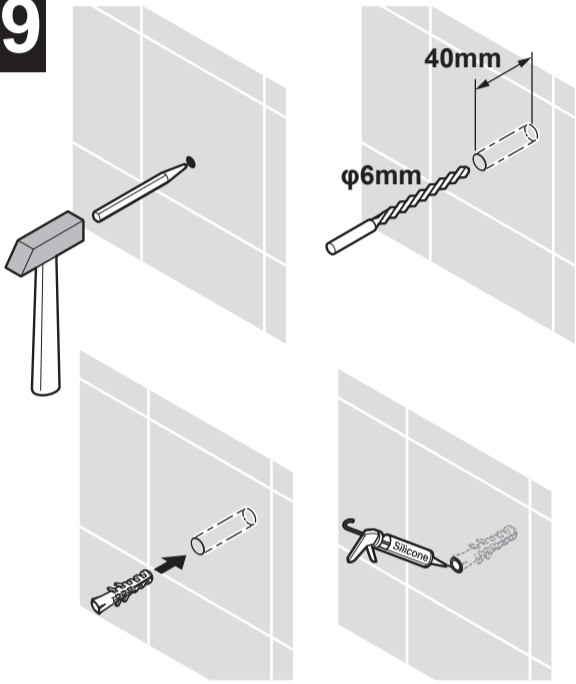
30



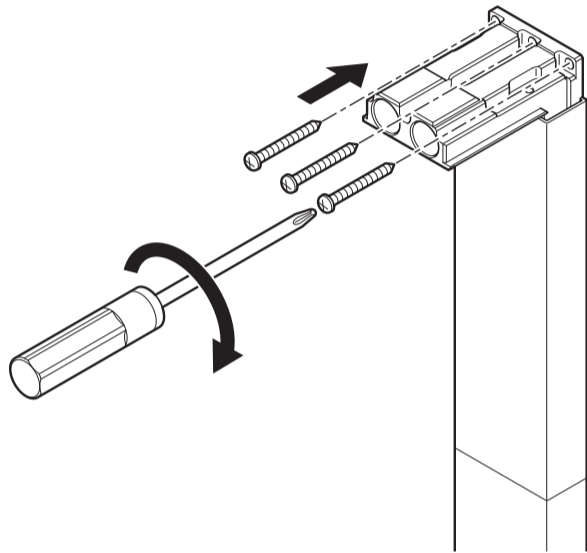
32



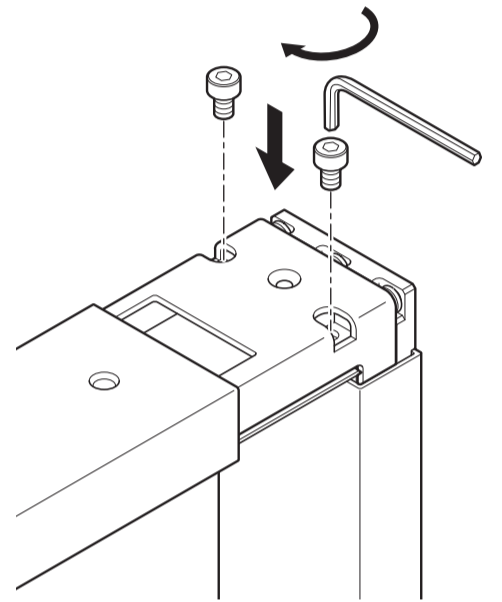
29



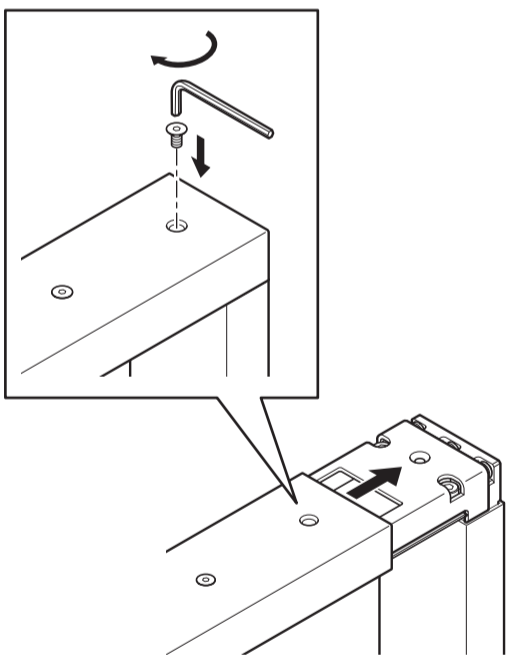
31



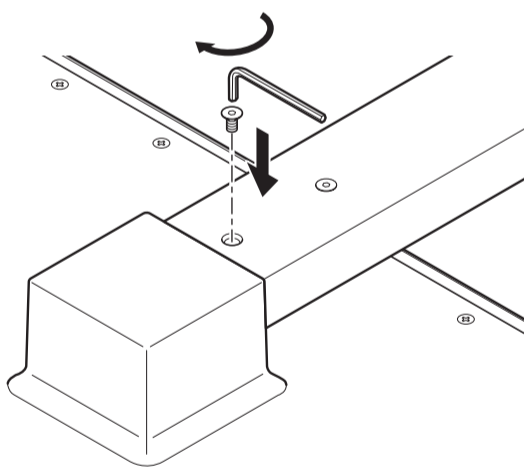
33



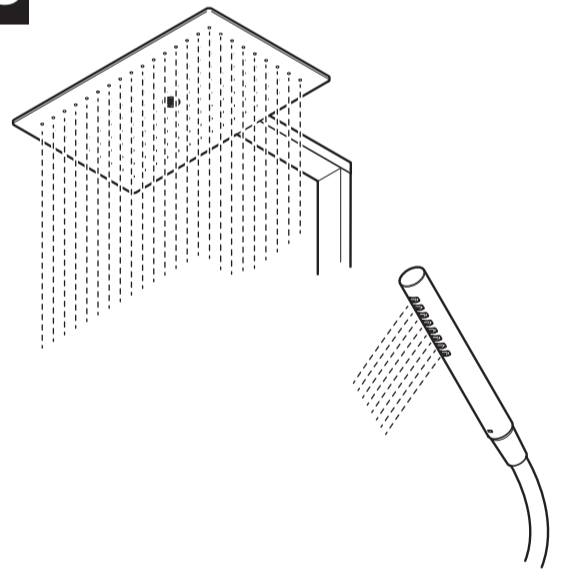
34



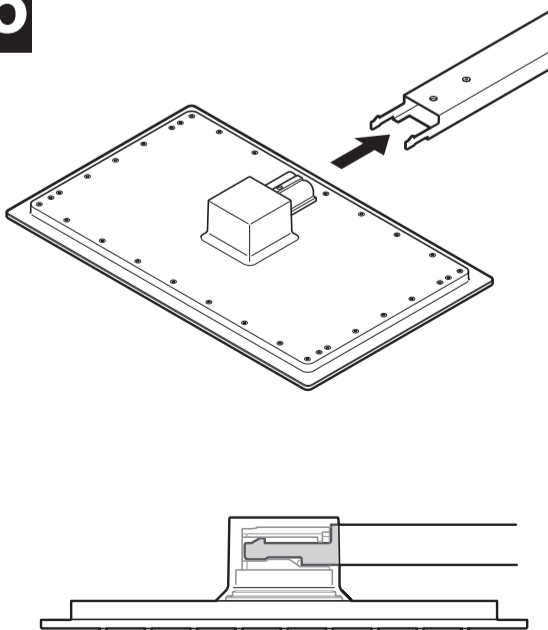
36



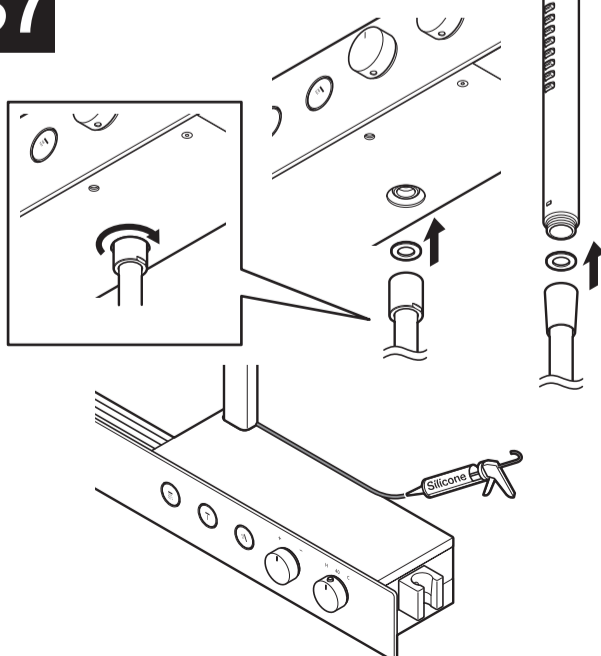
38



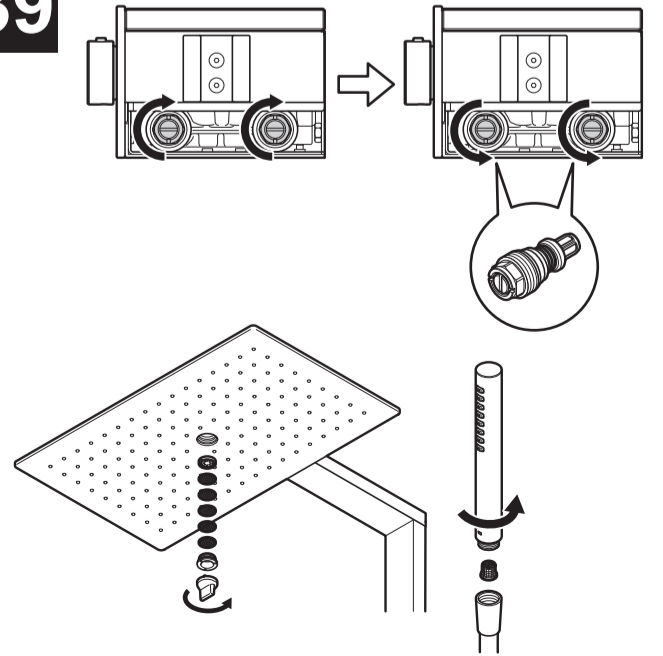
35



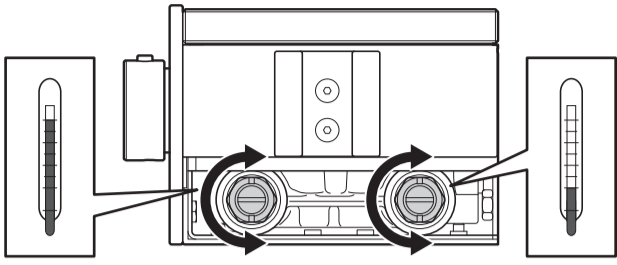
37



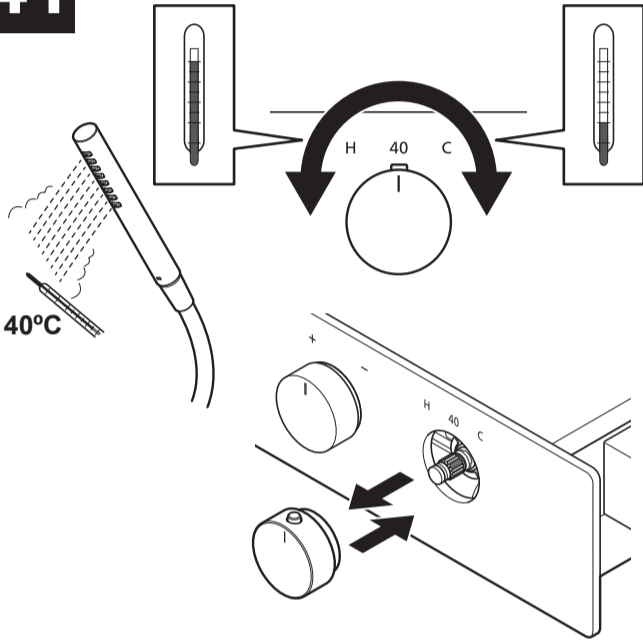
39



40



41



CN

安装前

- 当供水压力超过0.75MPa时，请用市售减压阀减压到0.2~0.3MPa左右。为保证顾客舒适地使用龙头，推荐压力为0.2~0.3MPa左右。
- 为防止因误操作等造成烫伤，请务必保证供冷水压力高于供热水压力或等压。另外，在对热水侧进行加压时，也请务必保证热水侧压力低于冷水侧。
- 请将热水器的温度设定为稍高于所使用的吐水温度。
- 为防止烫伤，请将热水器的热水供应温度设定为60℃以下。为确保舒适的吐水温度，建议设定为50~60℃。
- 为降低电阻，请以最短距离配置连接热水器的供热水管，同时请务必在管道上缠绕保温材料。
- 因为在出厂包装前执行过通水检查，商品中有可能残留水分，并非产品问题。

冷水与热水供水管内的清扫

1 进行冷水与热水供水管内的清洗，冲洗管道内的垃圾、沙粒等。

在冷水与热水供水管和墙壁间的缝隙内加入硅胶。

※冷水与热水供水管内的垃圾、沙粒等堵塞在过滤网上，将会发生以下现象。

- ①吐水量少
- ②无法正常调节温度

2 在供水脚上缠绕密封带，安装管道，调整水平。

3 将“安装板+功能部位”安装在供水脚上。
在安装板下方的孔（2处）处标注导孔用标记。

4 取下“安装板+功能部位”。

5 取下“安装板+功能部件”的小螺钉（5处）。
※小螺钉后面要使用，注意不要丢失。

6 从安装板上拔下机能部位。

7 将安装板与在 **3** 标注的标记对齐，在安装板上方孔（2处）处标示导孔用标记。

8 在标示标记的4处开导孔，插入混凝土插头。

9 水平安装安装板。

10 将功能部插入安装板，用在 **5** 取下的小螺钉固定。

11 将功能部位的凸缘衬套与供水脚的凸缘对齐，插入一触式耦合器并固定。

CN

12 将一触式耦合器旋转90度，锁定开口部位。

13 将固定架插入安装板。

14 用小螺钉将固定架固定在安装板上。

15 将框架单元水平安装在固定架上，在墙壁固定位置标示导孔用标记。

16 在标示有标记的位置开导孔，插入混凝土插头。

17 将固定垫圈固定在墙上。

18 将框架单元固定在固定垫圈和固定架上。

19 将顶板爪挂在固定架的缝隙上并安装。

20 将前面板安装到主体上。

※当开关按钮和前面板凹凸不平时

- ①向前拉开关按钮，用手把住
- ②使用精密螺丝刀等顶端尖细的工具，将开关按钮的爪从背面卸下
- ③旋转调整螺钉，调整前后位置
- ④将开关按钮和调整螺钉的六角对齐，安装开关按钮。

21 将前面板固定在框架单元和固定架上。

22 将防护罩固定在固定架上。

23 按防护罩、挂架的顺序安装在固定架上并固定。

24 安装温度调节手柄、流量调节手柄。
※注意手柄的方向。

CN

安装顶置式花洒

- 25 将支柱安装在主体上。
- 26 注意支柱不要发生倾斜，在上端标示导孔用标记。
- 27 取下支柱。
- 28 采取防护，防止垃圾进入主体。
- 29 在标示有标记的位置开导孔，插入混凝土插头。
- 30 再次将支柱安装在主体部位。
- 31 将支柱固定在墙上。
- 32 将连接管的支撑板安装到支柱上。
- 33 用小螺钉固定支撑板和支柱。

34 将连接管插入支柱，用小螺钉固定。

35 将顶置式花洒插入连接管。

36 用小螺钉固定顶置式花洒和连接管。

37 安装花洒头和花洒软管。
※确认已安装好垫片。
在墙壁和顶板之间加入硅胶。

出水检查

38 打开总开关，检查花洒是否出水。
另外，检查龙头的缝隙和软管连接部等是否漏水。

过滤网清扫

39 安装后务必清扫过滤网。

如过滤网堵塞，将导致流量减少、只出冷水或热水等，使得产品功能无法得到充分发挥。同时，也请向顾客说明应时常清扫。
※清扫过滤网时，请先关闭总开关，然后卸下过滤网。
(具体请参考使用说明书的“日常保养”)

CN

流量调整

- 40 在流量过高等时，通过止水阀调节流量。
插入一字螺丝刀，转动止水阀。
顺时针：流量减少
逆时针：流量增加

温度调节手柄的设置

- 41 将温度调节手柄最大限度转动到从花洒头出冷水一侧。
不管刻度如何，先将温度调节手柄转动到出适温(约40℃)热水的位置。
取下温度调节手柄。
将温度调节手柄安装在“40”标记位置。
固定后检查是否出适温(约40℃)热水。

规格

使用压力范围	： 最大	1.0 MPa
	： 最小	0.05 MPa
推荐使用压力	：	0.1 - 0.5 MPa
试验压力	：	1.6 MPa
供热水温度	：	最高 80 ℃
推荐供热水温度	：	60 ℃

Before Installation

- If the water supply pressure exceeds 0.75 MPa, reduce the pressure to about 0.2-0.3 MPa using a commercially available pressure reducing valve. We recommend a water supply pressure of about 0.2-0.3 MPa for comfortable use of the faucet.
- In order to prevent scalding due to unsafe operation, the cold water supply pressure must be set higher than or equal to the hot water supply pressure. If increasing pressure on the hot water side, make sure the hot water supply pressure side is set lower than the cold water side.
- Set the temperature on the water heater to higher than the temperature of the discharged water.
- In order to prevent scalding, set the temperature of the hot water in the hot-water supply less than 60°C. A setting of 50°C to 60°C is recommended to ensure a comfortable discharge temperature.
- Connect the hot-water supply pipe at a minimum length from the water heater in order to reduce resistance and make sure to wrap the water supply pipe with thermal insulation.
- Water may remain in the product from flow tests conducted before the product is packaged, this does not indicate that something is wrong with the product.

Clean the inside of cold-/hot-water supply pipes

- 1** Clean the water supply and hot water supply pipes to wash off any dust or sand from inside the pipes.

Put silicon between the water supply and hot water supply pipe and the wall.

*Dust and sand in the water supply and hot water supply pipes may clog the filter and cause the following phenomena:

- [1] A low volume of water discharge
- [2] It is not possible to control the temperature

- 2** Wrap sealing material around the water supply legs, attach them to the pipes and level them.
- 3** Attach the "Mounting plate + functional part" to the water supply legs. Add markings for the pilot holes for the holes (2 places) on the lower part of the mounting plate.
- 4** Remove the "Mounting plate + functional part".
- 5** Remove the screws on the "Mounting plate + functional part" (5 places). *The screws will be used later, so be careful not to lose them.
- 6** Pull the functional part out from the mounting plate.
- 7** Align the mounting plate to the marks marked in **3** and add markings for the pilot holes for the holes (2 places) on the upper part of the mounting plate.
- 8** Open up pilot holes at the four places marked and insert concrete plugs.
- 9** Install the mounting plate horizontally.
- 10** Insert the functional part into the mounting plate and fasten it with the screws removed in **5**.
- 11** Align the flanged bushing of the functional part with the flanged parts of the water supply legs, insert the one-touch couplers and fasten them.

- 12** Rotate the one-touch couplers 90 degrees to lock the opening.
- 13** Insert the fixing frame into the mounting plate.
- 14** Use screws to fasten the fixing frame to the mounting plate.
- 15** Mount the shelf unit horizontally on the fixing frame and add marking for the pilot hole at the wall fixing position.
- 16** Open up a pilot hole at the place marked and insert a concrete plug.
- 17** Fasten the fixing washer to the wall.
- 18** Fasten the shelf unit to the fixing washer and the fixing frame.
- 19** Hook the claws of the top plate to the slits of the fixing frame and attach it.
- 20** Attach the front panel to the main unit.

***If the Open/Close button and front panel are not level with each other:**

- [1] Pull the Open/Close button toward you and hold it in your hand.
- [2] From the back, use a precision screwdriver or something with a thin tip on the claw of the Open/Close button to remove it.
- [3] Rotate the adjusting screw to adjust the front/back positioning.
- [4] Align the Open/Close button with the hexagon of the adjusting screw and install the Open/Close button.

- 21** Fasten the front panel to the shelf unit and the fixing frame.
- 22** Fasten the cover to the fixing frame.
- 23** Attach and fasten the cover and hanger to the fixing frame in that order.
- 24** Attach the temperature control handle and flow adjustment handle. *Pay attention to the direction of the handle.

EN

Overhead shower installation

- 25** Attach a support to the main body.
- 26** Be careful that the support is not tilted and then add marking for pilot holes at the top edge.
- 27** Remove the support.
- 28** Cover the main body to protect it from dust.
- 29** Open up a pilot hole at the place marked and insert a concrete plug.
- 30** Reattach the support to the main body.
- 31** Fasten the support to the wall.
- 32** Attach the support plate of the connecting pipe to the support.
- 33** Fasten the support plate and the support with screws.

- 34** Insert the connecting pipe into the support and fasten it with a screw.
- 35** Insert the overhead shower into the connecting pipe.
- 36** Fasten the overhead shower and the connecting pipe with a screw.
- 37** Install the shower head and shower hose.
*Check that there is packing inserted.
Inject some silicon between the wall and the top plate.

Water dispense checks

- 38** Open the stopcock and check that water comes out of the shower.
Also, check that there is no water leakage, such as from the faucet gaps or hose connections.

Filter cleaning

- 39** Always clean the filters after installation.

If the filters become blocked, then the product may not function fully, such as the flow rate may be reduced or only cold water or hot water may come out. Also explain to the customers that they should perform cleaning from time to time.

*When cleaning a filter, close the stopcock before removing the filter.
(For details, refer to "Daily care" in the user manual.)

EN

Flow rate adjustment

- 38** If the flow rate is too high, then adjust the flow rate with the stop valves.
Insert a flat-head screwdriver and rotate the stop valve.
Clockwise: Flow rate decreases
Counterclockwise: Flow rate increases

Temperature control handle setting

- 38** Turn the temperature control handle all the way to the side where water comes out of the shower head.
Turn the temperature control handle to the position where water at the appropriate temperature (about 40°C) comes out, regardless of the scale.
Remove the temperature control handle.
Attach the temperature control handle at the position of the "40" mark.
After fastening the handle, check that water still comes out at the appropriate temperature (about 40°C).

Specifications

Operating pressure range	: max	1.0 MPa
	: min	0.05 MPa
Recommended Operating pressure	:	0.1 - 0.5 MPa
Test pressure	:	1.6 MPa
Hot water temperature	:	max. 80 °C
Recommended hot water temperature	:	60 °C