

施工说明书 Instructions for construction

安装产品前请仔细阅读本施工说明书，并保留备用。
Before product installation, read these instructions for construction carefully and retain it for future reference.

TOTO

TOTO

OG431Y
2017.08

目录

目 录

目 录	1
明细单	2
使用条件	3
施工上的注意与保养	4
安装完成图	5
水嘴的安装	6-12
产品保修卡	13
合格证	14

明细单

明细单

埋入盒装本体部	1套
接 头	2个
固定接头	2个
防水布	1个
施工说明书	1本

使用此明细单的产品包括：
TBN01002* 埋入盒装本体部

使用条件



使用条件

1. 供冷水 * 供热水压强
最低压强..... 0.05MPa (流动压)
最高压强..... 1.0MPa (静压)
推荐使用压强..... 0.15-0.5MPa (流动压)
检测压强..... 1.6MPa (静压)
2. 供水温度在4°C~90°C, 建议使用热水温度60°C, 供热水请勿使用蒸汽。
3. 使用环境温度0°C以上。如果低于0°C, 水嘴会出现变形、冻裂等现象。
4. 长时间不使用时, 可能导致水嘴内部及外部锈蚀不能使用等现象。
5. 如果您需要废弃本产品, 请勿将其作为一般生活垃圾处理, 请依照法规经由独立的回收体系进行合适的处理, 恢复和回收。

※为了达到最好的安装与使用效果, 水嘴本体推荐与「TOTO」其它系列产品配套使用。

施工上的注意与保养

施工上的注意

-  **警告** 表示如果无视此标志而误操作时, 有可能造成人员重伤或死亡。
-  **注意** 表示如果无视此标志而误操作时, 有可能造成人身伤害或财产损失。

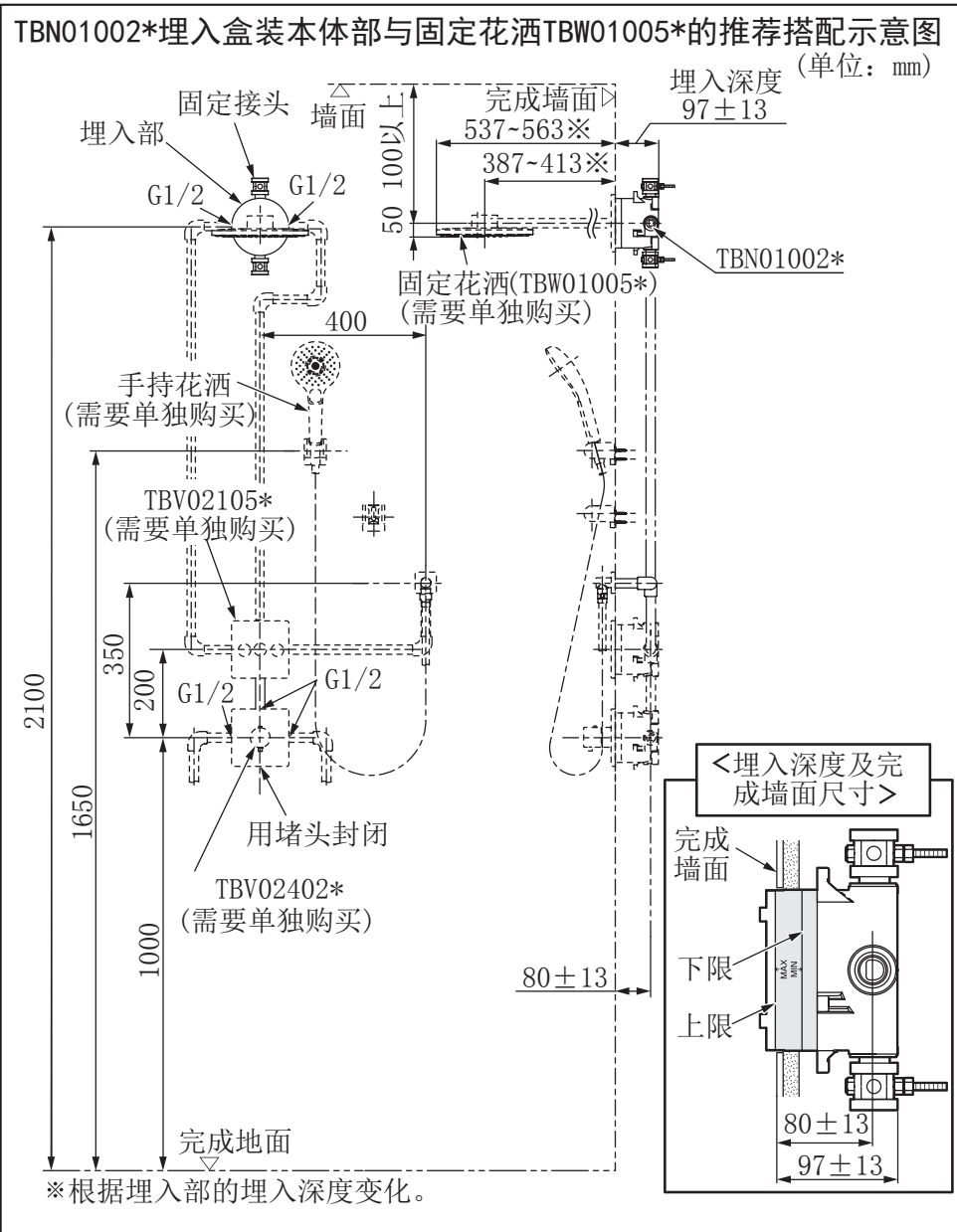
警告

1. 水嘴的供热水一侧处于高温状态, 请勿使皮肤直接接触五金配件表面, 否则可能会烫伤。
2. 请勿配反冷 * 热水配管, 否则可能会烫伤。
3. 供热水请勿使用蒸汽, 否则可能会烫伤。

注意

1. 请勿撞击本产品, 否则可能会造成故障、漏水。
2. 随着产品式样的不断更新, 实物存在与图示不符的情况, 但基本安装、使用原理相同。

安装完成图



水嘴的安装

贩卖品 (施工现场: 客户需要自己购买以下配件)

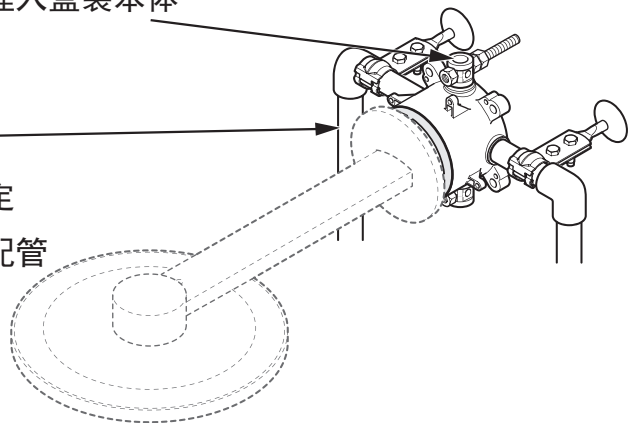
玻璃胶
配管支持配件
配管材料
防水胶
地脚螺栓 (2个)
或
自攻钉 (2个)
埋入部固定螺钉 (ø6~ø9之间)

安装前准备的工具

生料带
扳手
螺丝刀
六角扳手 (对边4mm)

水嘴的安装

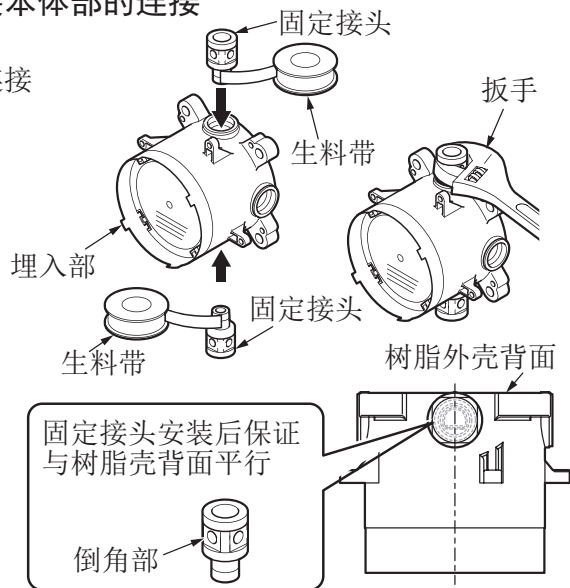
- 一. 固定接头与埋入盒装本体部的连接
- 二. 决定位置
- 三. 配管的连接
- 四. 埋入部的固定
- 五. 漏水检查及配管内的清扫
- 六. 防水处理及完成墙面的施工



一. 固定接头与埋入盒装本体部的连接

- ① 固定接头缠生料带
- ② 固定接头与埋入部连接 (对称位置2处)

注意
固定接头要确实旋紧，不旋紧的场合，花洒头有可能脱落、漏水，造成财产损失。

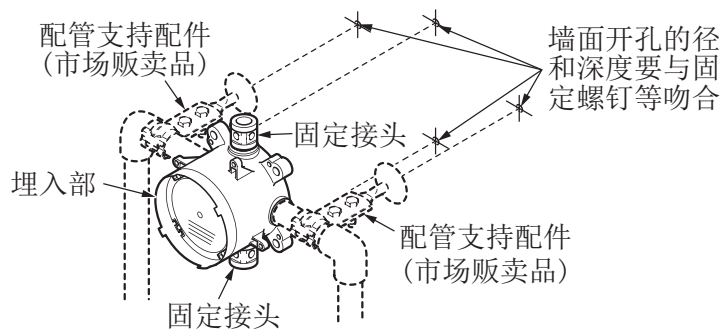
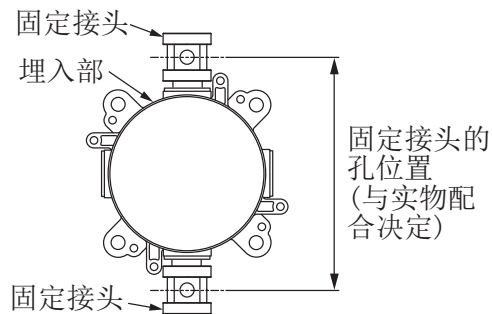


固定接头安装后保证与树脂壳背面平行

水嘴的安装

二. 决定位置

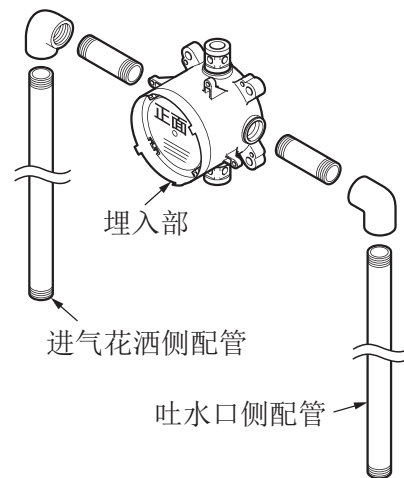
固定接头孔位置要和配管支持配件的安装位置吻合，孔位置决定后，在安装面上开孔。



三. 配管的连接

埋入部的正面左侧为进气花洒侧配管，右侧为吐水口侧配管。

注意
连接的地方，一定要使用密封生料带



水嘴的安装

四. 埋入部的固定

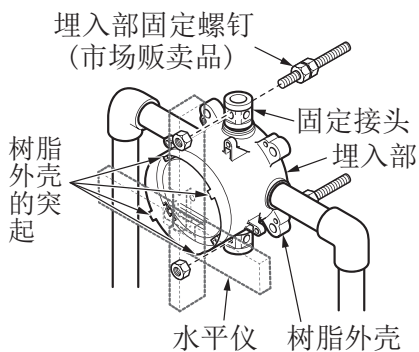
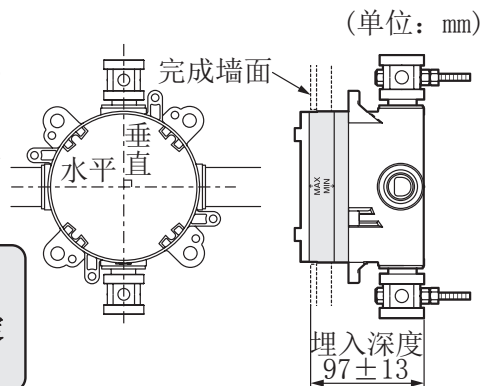
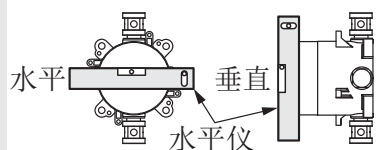
①埋入部的埋入深度为 97 ± 13 ，调整好水平垂直后，用固定接头和埋入部固定螺钉将埋入部固定在安装墙面上。

注意

埋入深度超出要求范围的话，装饰板等不能正常安装，一定要注意。

注意

- 埋入部的固定，一定要使用固定接头和埋入部固定螺钉固定在安装墙面上。
- 树脂外壳不要与安装墙面固定。
- 埋入部有非常大的强度支撑在安装面上，埋入部固定螺钉一定要确实固定。
- 埋入部的固定强度，要确保足够承受花洒头的重量（约6kg）。
- 一定要使用水平仪确保水平安装，水平仪请放在树脂外壳的突起部使用。

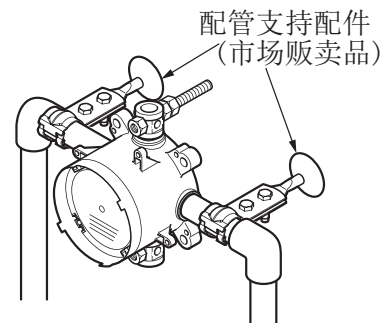


水嘴的安装

②使用配管支持配件将配管和墙面固定，保证与埋入部平行。

注意

- 为了使花洒头不松动，要确保配管固定在固定墙面上。
- 不要使配管与埋入部的螺纹连接部受力。



五. 漏水检查及配管内的清扫

①除去养生盖，放松清洗盖的固定螺钉，通水排除配管内的空气。

注意

养生盖不要扔掉，配管内清扫后，再插入到埋入部。

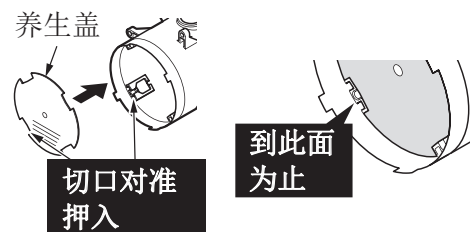
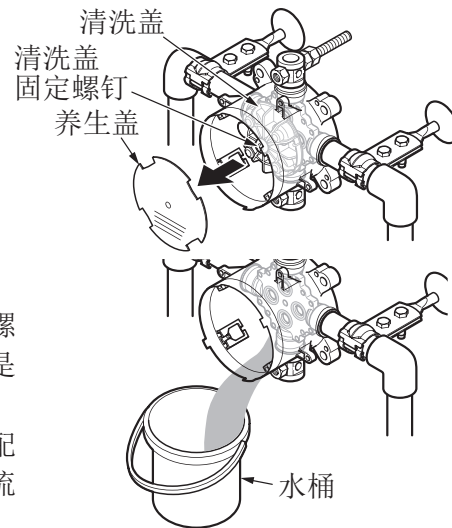
②通水状态，将清洗盖用固定螺钉旋紧到止水。确认连接部位是否漏水。确认后关闭阀芯。

③取下清洗盖，埋入部通水，配管内的垃圾、砂粒等完全洗净流出。

注意

清洗盖不要扔掉，配管内清扫后，插入埋入部。

④清洗盖，养生盖从埋入部取出。



水嘴的安装

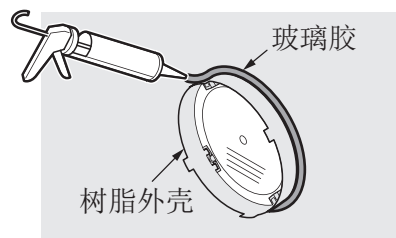
六. 防水处理及完成墙面的施工

建筑施工其他作业者实施的场合，务必请看下记要求。

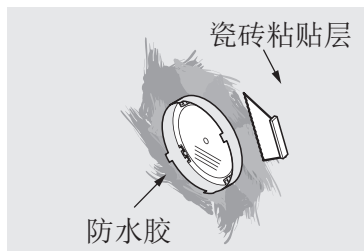
①埋入部的水平垂直、埋入部配管是否松动，确认后用砂浆等将埋入部固定填满。

注意

- 注意养生盖的内侧不要混入砂浆。
- 各配管用配管支持配件充分固定，使花洒头不能晃动。



②埋入部树脂外壳周围与墙壁之间和缝隙用玻璃胶做防水处理。

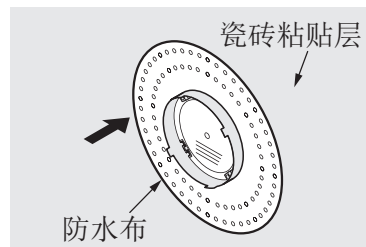


③将防水胶涂布在瓷砖粘贴层。

④防水布盖住埋入部，贴到瓷砖粘贴层上。

注意

防水布不要切坏使用。

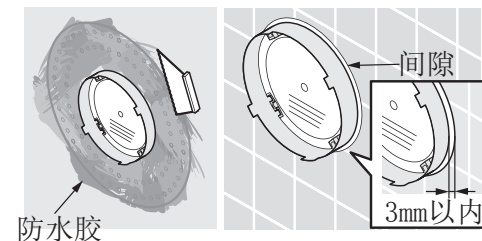


水嘴的安装

⑤在防水布上再涂上一层防水胶，用刮板刮平整。等待防水胶干好后进行完成墙面施工。

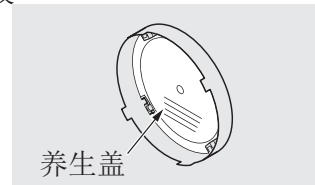
注意

- 埋入盒子的边缘与完成墙面的间隙在3mm以内。



注意

养生盖、清洗盖在花洒头安装前要保证是安装状态。



产品保修卡

用户	
销售安装店	
购买日	
保修期	自购买日起本体及阀芯保修有效期5年， 其余部件保修期为1年

*若上栏内容未记全，该产品保修卡将视为无效。因此请用户购买时对记入内容进行确认。

*本产品保修卡中的保修项目仅限于产品保修卡中所约束的免费维修项目进行维修。

*在保修期间，若产品发生故障（漏水、渗漏），请用户向销售店或安装店出示产品保修卡及购买发票、提出修理要求。

免费维修规定

1. 保修期间，在用户正确按说明书、不干贴等指示，使用本公司产品的情况下，本公司将对有故障产品进行免费维修。
2. 在保修期内发生损坏需得到免费修理时，请持本产品保修卡和购买发票委托安装店或销售店办理。
3. 在保期内，下面所列场合的维修为有偿维修。
 - ①使用不当或私自进行的不当修理及改造所造成的故障及损伤。
 - ②安装施工时的不注意或过失造成的故障及损伤。
 - ③安装后又拆移等原因造成的故障及损伤。
 - ④超出使用范围以外的场合下使用本产品所造成的故障及损伤（如家庭用品作为业务上商品使用。）
 - ⑤砂粒或污物等造成的损伤。
 - ⑥由于日常的维护保养不当造成的肮脏、电镀部分生锈等不良。
 - ⑦由于火灾、地震、水灾、雷击及其他天灾、公害、气害（液化气）、盐害及异常电压、使用指定外的电源（电压、频率）等原因造成的故障及损伤。
 - ⑧本产品保修卡没指定的场合。
 - ⑨本产品保修卡中用户姓名、销售店、安装店、购买日期未填写的场合。
 - ⑩不能出示购买发票的场合。
4. 本产品保修卡仅适用于中国国内。
5. 本产品保修卡丢失不补，请顾客妥善保管。

合格证

本品经检查判定合格

执行标准：QB/T 1334-2013

产品型号：见包装箱上的标签

产品名称：见包装箱上的标签

生产日期：见包装箱上的标签

组装工厂：东陶（大连）有限公司

电 话：（0411）87624383

厂 址：大连经济技术开发区东北二街17号

东陶(中国)有限公司

全国售后服务电话：800-820-9787(固定电话)
400-820-9787(手机用户)

销售商：东陶(中国)有限公司

地 址：北京市朝阳区光华路1号 北京嘉里中心北楼1915室

网 址：www.toto.com.cn

Contents

Contents	
Contents	1
Detailed list	2
Use condition	3
Attentions in construction and maintenance	4
Installation completion figure	5
Faucet installation	6-12
Product Warranty Card	13

Detailed list

Detailed list	
MINI UNIT	1 set
Connector	2 pieces
Fixing connector	2 pieces
Waterproof cloth.....	1 piece
Instructions for construction.....	1 copy
 The products using this detailed list include: TBN01002* MINI UNIT	

Use condition

Use condition

1. Cold water supply*hot water supply pressure

Minimum pressure 0.05MPa (flow pressure)

Maximum pressure 1.0MPa (static pressure)

Recommended service pressure.....0.15-0.5MPa (flow pressure)

Testing pressure.....1.6MPa (static pressure)

2. The temperature for water supply is 4~90°C. It is suggested to use the temperature of 60°C. Do not use steam to supply hot water.

3. The ambient temperature for use is above 0°C. If the ambient temperature is lower than 0°C, the faucet will deform and crack from freezing.



4. Being out of use for a long time may result in internal and external rust to the faucet and being unable to be used.

5. If you want to scrap this product, do not treat it as you do for general household garbage. Please follow relevant statutes to have it treated, recovered and collected appropriately by an independent recovery system.

※ To attain the best installation and operation effect, it is recommended that the faucet should be used with the handheld series shower from TOTO.

Attentions in construction and maintenance

Attentions in construction

-  Warning: it means that ignoring this mark and misoperation may cause serious personal injury and death.
-  Attention: it means that ignoring this mark and misoperation may cause personal injury or property loss.

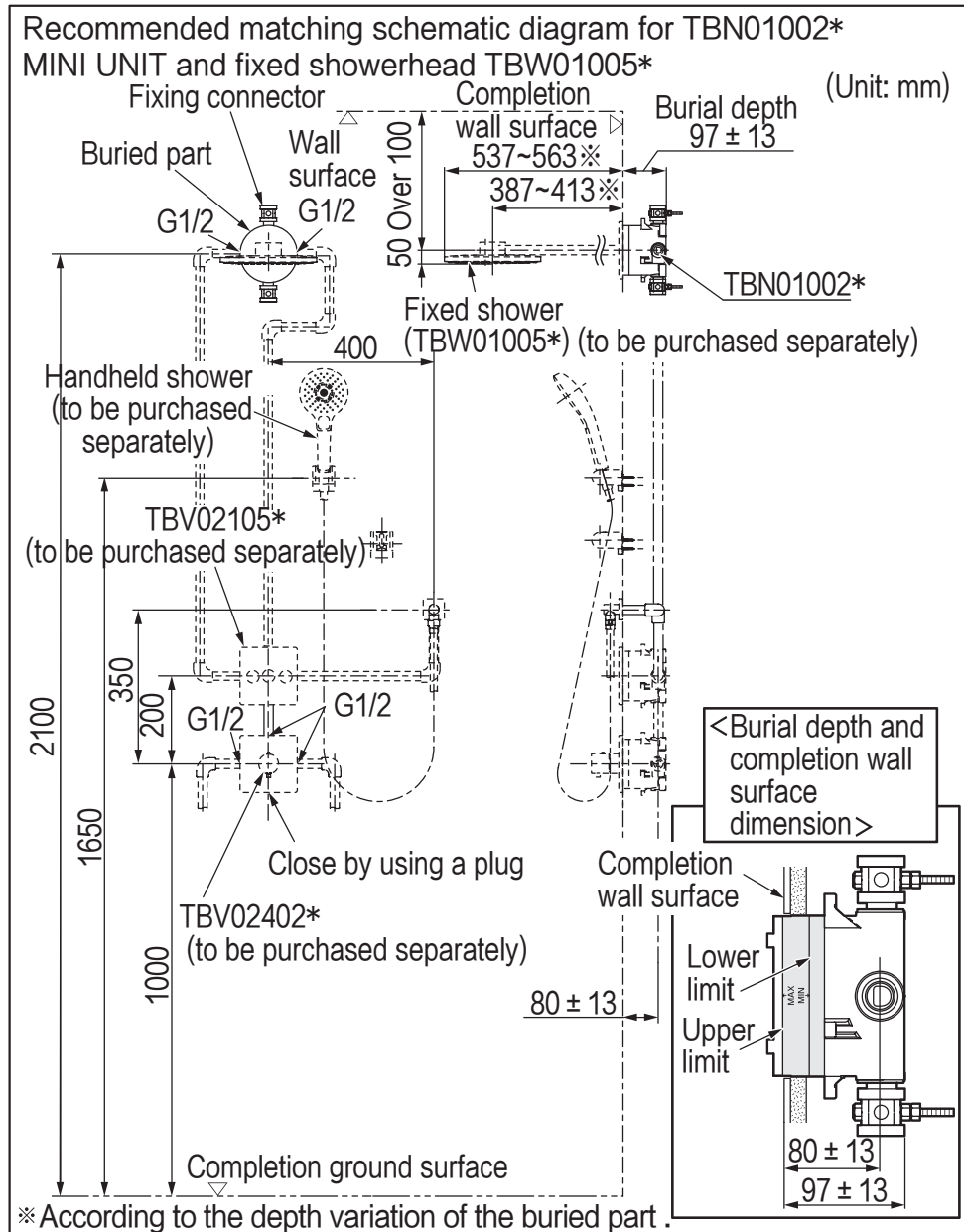
Warning

1. The hot water supply side of the faucet is in a condition of high temperature. Do not allow skin to contact with the hardware surface directly. Otherwise, scalding may occur.
2. Do not reverse the cold*hot water pipes. Otherwise scalding may occur.
3. Do not use steam to supply hot water. Otherwise, scalding may occur.

Attentions

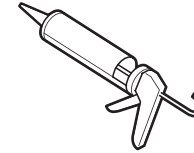
1. Do not impact the product. Otherwise, failure, water leakage may occur.
2. With the product design being updated constantly, the physical object may not coincide with the figure. However, the basic principle for installation, use is the same.

Installation Completion Figure

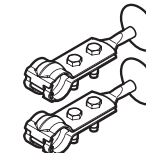


Faucet Installation

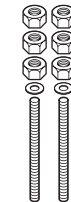
Products to be bought (construction site: customers need to buy the following accessories themselves)



Glass cement

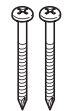


Supporting accessories for piping

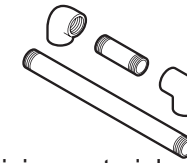


Anchor bolts (2 pieces)

or



self-tap screws (2 pieces)



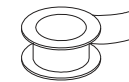
Piping material



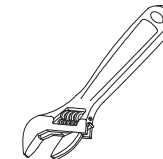
Waterproofing glue

Burial part fixing screws (∅6~∅9)

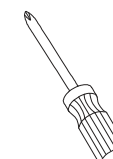
Tools to be prepared before installation



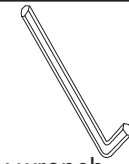
Teflon tape



Wrench



Screwdriver



Hex wrench (4mm for opposite side)

Faucet Installation

I. The connection between the fixing connector and MINI UNIT

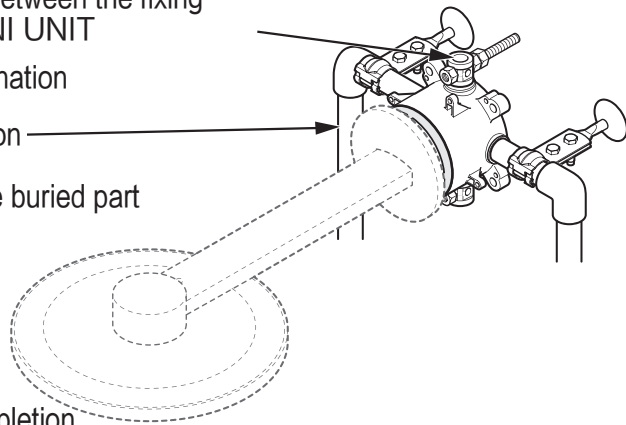
II. Position determination

III. Piping connection

IV. The fixing of the buried part

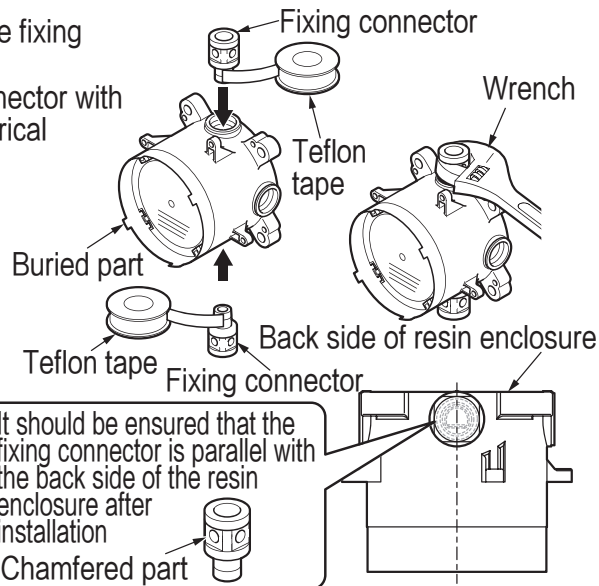
V. Water leakage inspection and cleaning in piping

VI. Waterproofing treatment and completion wall surface construction



I. The connection between the fixing connector and MINI UNIT

- ① Wind Teflon tape on the fixing connector
- ② Connect the fixing connector with the buried part (2 symmetrical positions)



Attention

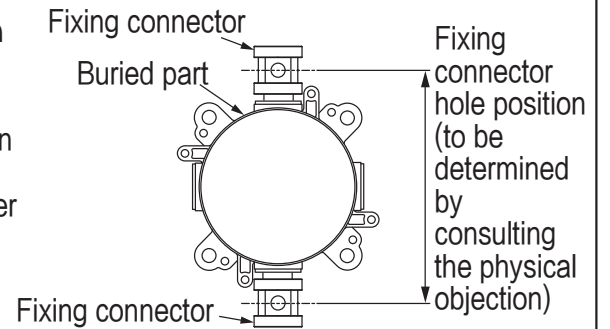
The fixing connector must be surely screwed tight. Otherwise, the showerhead may fall off and water leaks, resulting in property loss.

It should be ensured that the fixing connector is parallel with the back side of the resin enclosure after installation

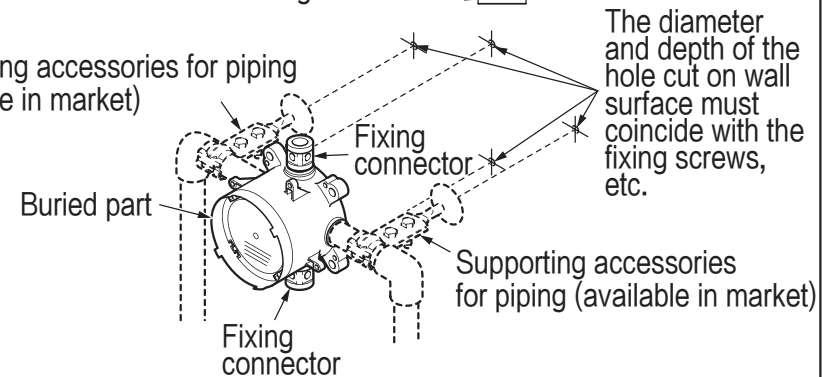
Faucet Installation

II. Position determination

The position of the fixing connector must coincide with the installation position of the supporting accessories for piping. After the hole position is determined, cut a hole on the installation surface.



Supporting accessories for piping (available in market)

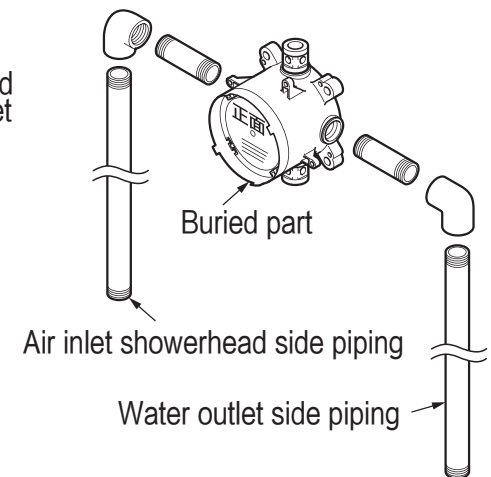


III. Piping connection

The left of the front side of the buried part is air inlet showerhead piping and the right is water outlet side piping.

Attention

Teflon tape for sealing must be used at the places of connection



Faucet Installation

IV. The fixing of the buried part

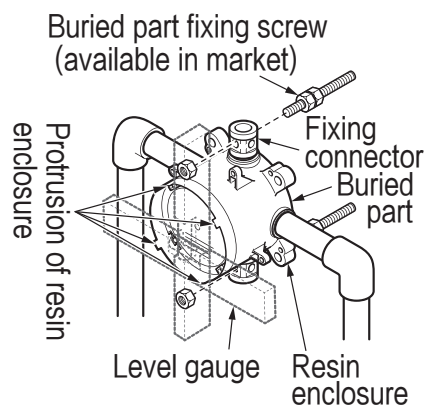
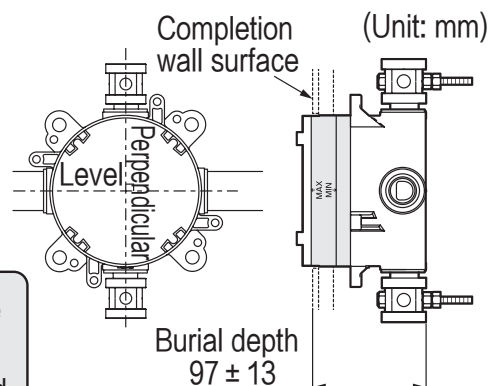
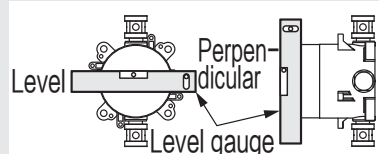
① The burial depth of the buried part is 97 ± 13 . After levelness and perpendicularity are properly adjusted, use the fixing connector and the fixing screws for the buried part to fix the buried part to the installation wall surface.

Attention

If the burial depth is beyond the required range, the decorating plate, etc. cannot be normally installed. Attention must be paid to this.

Attention

- In fixing the buried part, it must be fixed onto the installation wall surface with the fixing connector and buried part fixing screws.
- The resin enclosure shall not be fixed with the installation wall surface.
- There is a very high strength for the buried part to be supported on the installation surface. The buried part fixing screws must be really fixed.
- The buried part fixing strength should be such that ensures to be sufficient to bear the weight of the showerhead (about 6kg).
- Be sure to use a level gauge to ensure level installation. Please use the level gauge by placing it at the protrusion of the resin enclosure.

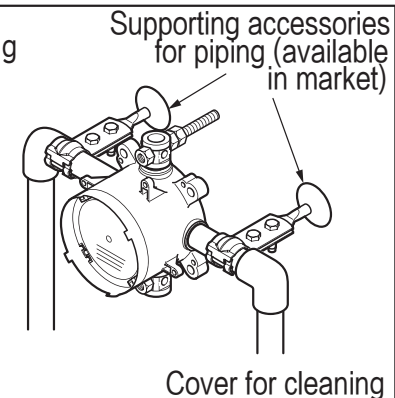


Faucet Installation

② Use the supporting accessories for piping to fix the piping with wall surface and be sure to be parallel with buried part.

Attention

- To keep the showerhead from becoming loosened, ensure that the piping is fixed onto the wall surface.
- Do not allow the thread connection parts of the piping and the buried part to be subject to force.



V. Water leakage inspection and cleaning in piping

① Remove the preservation cover, loosen the screws fixing the cover for cleaning and supply water to remove the air from the piping.

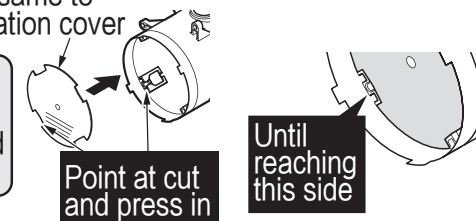
Attention

Do not throw the preservation cover away. After cleaning to the piping inside, insert the buried part.

- ② Water supply condition. Use fixing screws to fix the cover for cleaning to stop water. Confirm if there is any water leakage from the connecting location. Close the spool after confirmation.
- ③ Remove the cover for cleaning and supply water to the buried part to wash the garbage, sand grains, etc. in the piping thoroughly and allow the same to flow out.

Attention

Do not throw the cover for cleaning away. After cleaning to the piping inside, insert the buried part.



④ Take out the cover for cleaning, preservation cover from the buried part.

Faucet Installation

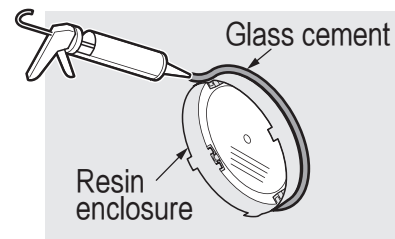
VI. Waterproofing treatment and completion wall surface construction

Be sure to read the following requirements when building construction is carried out by other operators.

① Confirm the levelness and perpendicularity of the buried part and if the buried part becomes loosened. After confirmation, use mortar, etc. to have the buried part fixed and filled.

Attention

- Take care not to allow mortar to leak to the inner side of the preservation cover.
- Use the supporting accessories for piping to fix the pipes so that the showerhead cannot swing.

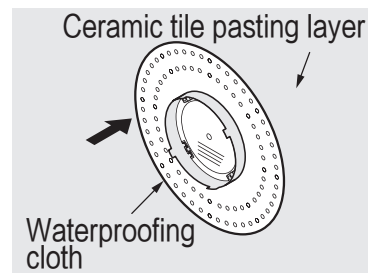


② The part between the surroundings of the resin enclosure of the resin enclosure and wall and the gap should be treated for waterproofing with glass cement.



③ Apply the waterproofing glue on the ceramic tile pasting layer.

④ Use waterproofing cloth to cover the buried part and post to the ceramic tile pasting layer.

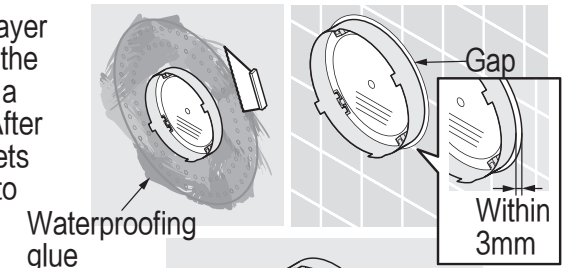


Attention

Do not use any poorly cut waterproofing cloth.

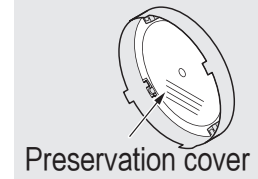
Faucet Installation

⑤ Apply one additional layer of waterproofing glue on the waterproofing cloth. Use a scraper plate to flatten. After the waterproofing glue gets thoroughly dry, proceed to completion wall surface construction.



Attention

- The gap between the edge of the box buried in and the completion wall is within 3mm.



Attention

The preservation cover, cover for cleaning A should be ensured to be in an installed condition before the showerhead is installed.

Product Warranty Card

User	
Sales shop or installation shop	
Date of buying	
Warranty period	The warranty is effective for a period of one(1) year from the date of purchase.

- * If the contents in the above column are not complete, the product warranty card shall be deemed as invalid. Therefore, user should confirm the contents put in at the time of buying.
- * The items covered in this product warranty card are only limited to repair to those free repair items as agreed in the product warranty card.
- * During the warranty period, if any failure occurs to the product (water leakage, seepage), the user is requested to show the product warranty card and buying invoice to the sales shop or installation shop for making a repair requirement.

Free Repair Regulations

1. During the warranty period, if the user uses the products of the company correctly according to relevant instructions, adhesive labels, the company will provide free repair to any faulty product.
2. When any free repair is required due to damage within the warranty period, please bear this warranty and the buying invoice to entrust the installation shop or sales shop to handle it.
3. Within the warranty period, the repair in the following occasions is paid repair.
 - ① Any failure and damage due to any improper use or any improper repair and modification conducted privately.
 - ② Any failure and damage resulting from any carelessness or fault in installation construction.
 - ③ Any failure and damage attributed to such reasons as removal for relocation after installation, etc.
 - ④ Any failure and damage due to using this product in occasions beyond the specified scope of use (for example, home commodity is used for any business purpose).
 - ⑤ Any damage caused by sand grains or dirt, etc.
 - ⑥ Such adverse results as dirtiness, plating part rusting, etc. attributed to improper daily maintenance and care.
 - ⑦ Any failure and damage due to fire, earthquake, flood, lightning strike and other natural disasters, public nuisances, gas damage (liquefied gas), salt damage and abnormal voltage, use of any power supply (voltage, frequency) other than the specified ones, etc.
 - ⑧ The occasions not specified in this warranty.
 - ⑨ The occasion in which the user name, sales shop, installation shop or buying date is not filled in.
 - ⑩ No buying invoice can be presented.
4. This warranty applies to countries except China.
5. This product warranty card shall not be reissued when being lost. Customers are requested to keep it properly.

TOTO Asia Oceania Pte. Ltd.

Telephone: 65-6744-6955

FAX: 65-6841-0819

Address: 10 Eunos Road 8 #12-07 Singapore Post Centre
Singapore 408600

Website: asia.toto.com

TOTO KOREA LTD.

전화번호 : (02)-3141-8236

FAX 번호 : (02)-3141-8240

주소 : 서울시 마포구 상수동 351-16번지 로이코빌딩 3층

홈페이지 : <http://www.totokr.co.kr>