

TOTO

施工说明书 Instructions for construction

安装产品前请仔细阅读本施工说明书，并保留备用。
Before product installation, read these instructions for construction carefully and retain it for future reference.

TOTO

OG4061Y
2017.03

目录

目 录

目 录	1
明细单	2
使用条件	3
施工上的注意与保养	4
安装完成图	5-7
水嘴的安装	8-13
生产厂家与销售商	14

明细单

明细单

水嘴主体部	1套
手柄部	1套
装饰板部	1套
衬板部	1套
固定盖	1个
调节螺杆	1套
按钮	1套
螺钉	1个

使用此明细的产品包括:

TBV02105 *铜合金壁式暗装三向转换面板
(开闭切换·按启式)

TBV02405 *铜合金壁式单柄恒温暗装水嘴面板
(开闭·按启式)

TBV02406 *铜合金壁式单柄恒温暗装水嘴面板
(开闭切换·按启式)

TBV02402 *铜合金壁式单柄恒温暗装水嘴面板

注: TBV02105 *场合无手柄部

TBV02402 *场合无按钮、调整螺杆、固定盖

使用条件

使用条件

1. 供冷水*供热水压强

最低压强……………0.05MPa（流动压）

最高压强……………1.0MPa（静压）

推荐压强……………0.1-0.5MPa（流动压）

超过0.5MPa要加装减压阀

测试压强……………1.6MPa（静压）

2. 供水温度在4℃~90℃，建议使用热水温度60℃，供热水请勿使用蒸汽。

3. 使用环境温度0℃以上。如果低于0℃，水嘴会出现变形、冻裂等现象。

4. 为防止花洒内部损坏，花洒侧吐水温度不得超过60℃，建议使用温度45℃以下。

5. 长时间不适用时，可能导致水嘴内部及外部锈蚀不能使用等现象。

6. 如果您需要废弃本产品，请勿将其作为一般生活垃圾处理，请依照法规经由独立的回收体系进行合适的处理、恢复和回收。

7. 本说明书中的产品具有清洗功能。

※为了达到最好的安装与使用效果，推荐与「TOTO」系列花洒一起配套使用

施工上的注意与保养

施工上的注意

 **警告** 表示如果无视此标志而误操作时，有可能造成人员重伤或死亡。

 **注意** 表示如果无视此标志而误操作时，有可能造成人身伤害或财产损失。

警告

1. 水嘴的供热水一侧处于高温状态，请勿使皮肤直接接触五金配件表面，否则可能会烫伤。
2. 请勿配反冷*热水配管，如果配后，水嘴将不能正常使用。
3. 供热水请勿使用蒸汽，否则可能会烫伤。
4. 当直接从吐水口侧切换到淋浴侧或者从淋浴侧切换到土水口侧时，水温会发生变化，要用手测试水温后再使用，否则可能会烫伤。
5. 慢慢地旋转温度调节手柄，若急速地转动温度调节手柄，温度会骤然上升或下降。
6. 使用了热水后必须将温度调节手柄到“40”以下，以免再使用时又喷出热水。

注意

1. 由于温控阀芯是较精密的部件，请勿擅自分解，否则可能会造成漏水等不良。
2. 不得用强力冲击水嘴，否则会导致漏水或水嘴强度降低现象发生。
3. 随着产品式样的不断更新，实物存在与图示不符的情况，但基本安装、使用原理相同。
4. 由于出厂前进行通水检查，故水嘴内可能有残留水，并非产品有问题。

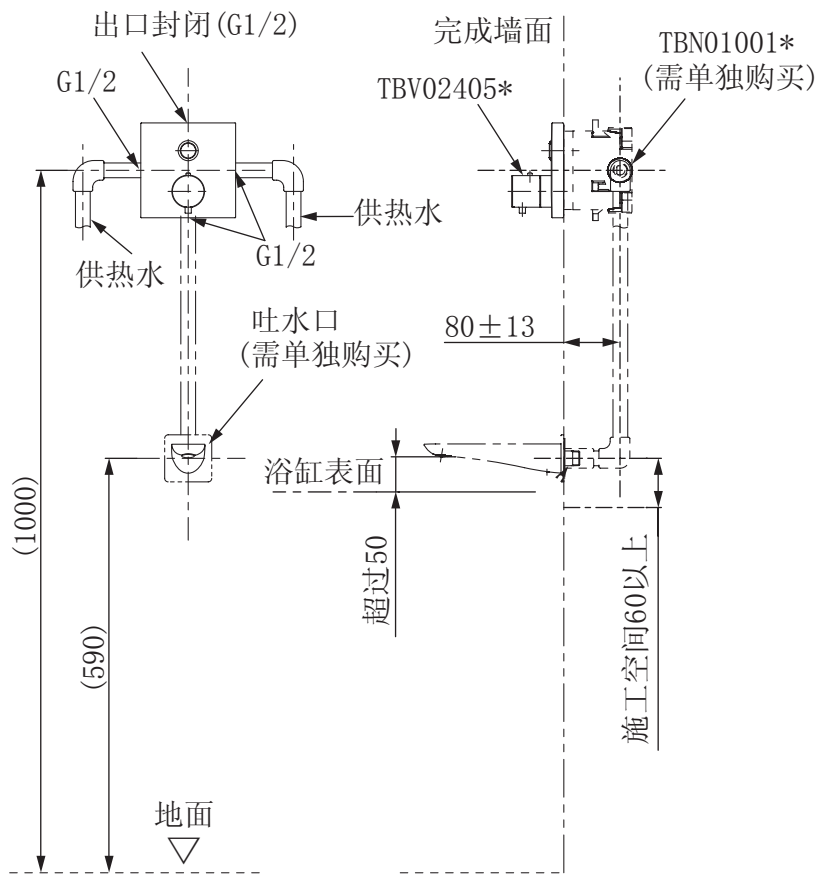
保养

为长期保持产品的美观，请用户按以下方法维护保养。

1. 经常用软布擦拭，间或用软布蘸水擦拭。
2. 当有污垢且比较明显时，请用中性洗涤剂擦拭后充分进行水洗。

安装完成图

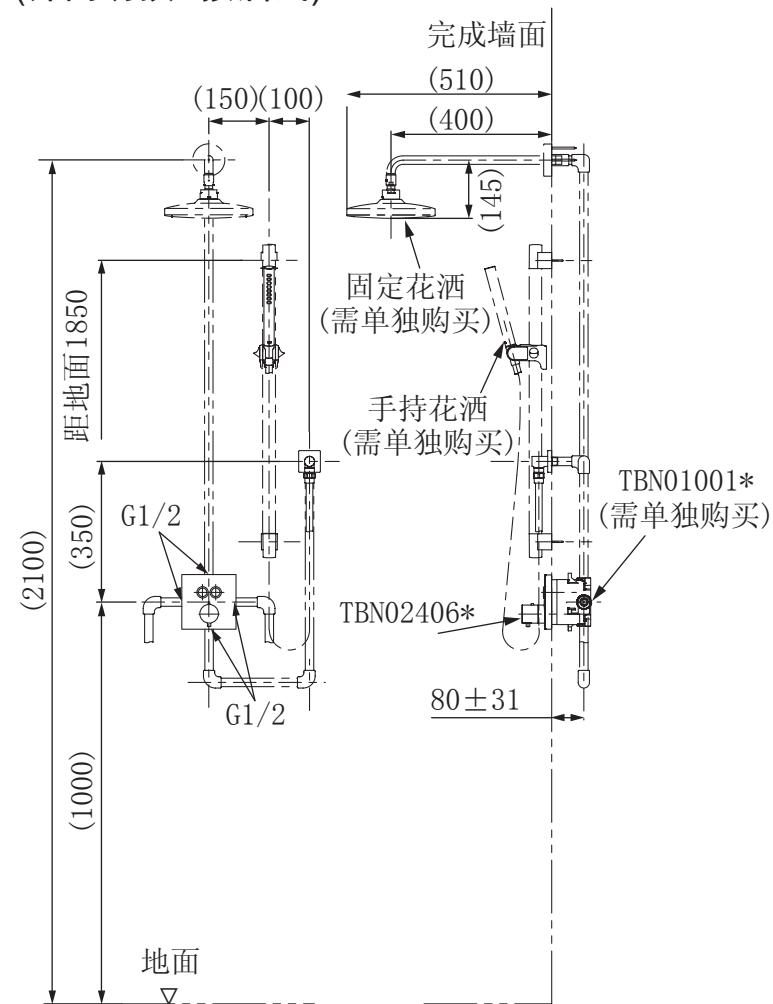
TBV02405*铜合金壁式单柄恒温暗装水嘴面板
(开闭●按启式)



注：上記尺寸单位为mm
()内尺寸为参考尺寸

安装完成图

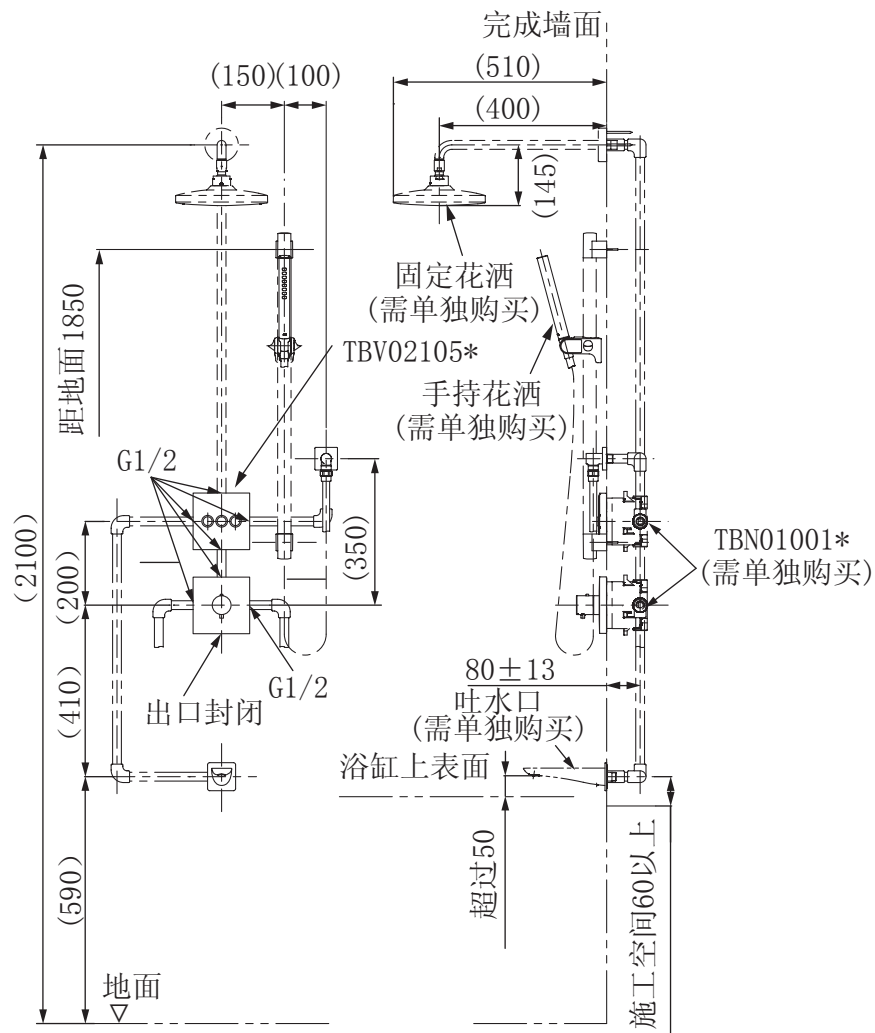
TBV02406*铜合金壁式单柄恒温暗装水嘴面板
(开闭切换●按启式)



注：上記尺寸单位为mm
()内尺寸为参考尺寸

安装完成图

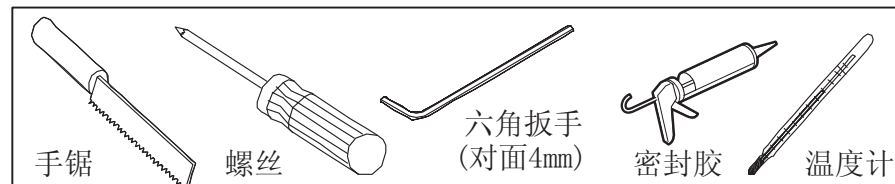
TBV02105*铜合金壁式暗装三向转换面板
(开闭切换●按启式)
TBV02402*铜合金壁式单柄恒温暗装水嘴面板



注：上記尺寸单位为mm
()内尺寸为参考尺寸

水嘴的安装

事前准备的工具

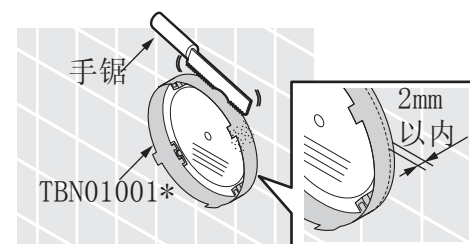


安装前确认

- 确认供水管已经关闭，确认安装前水路进行清洗了。
- 仔细阅读施工说明书并按照说明书的安装要领来进行安装。

一、水嘴安装前的准备

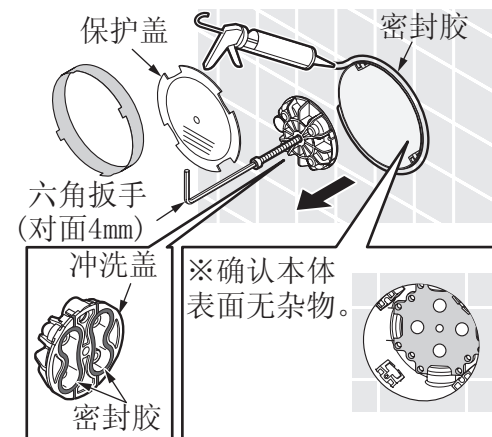
1. 已安装好的埋入产品 (TBN01001*) 进行树脂套墙面外露的切除，需要保证树脂套凸起边缘与墙面在2mm以内。
(边缘也不能凹陷于墙面以内。)



注意

- 树脂套切割时要注意切边整齐。
- 保护盖切割时可能被划伤，不影响整个产品的使用

2. 在树脂套与墙之间的缝隙内均匀抹上密封胶，且密封胶面不能凸出墙面。
3. 取下保护盖，用六角扳手拧下螺钉后，取出冲洗盖。
(冲洗盖上带有密封圈)



水嘴的安装

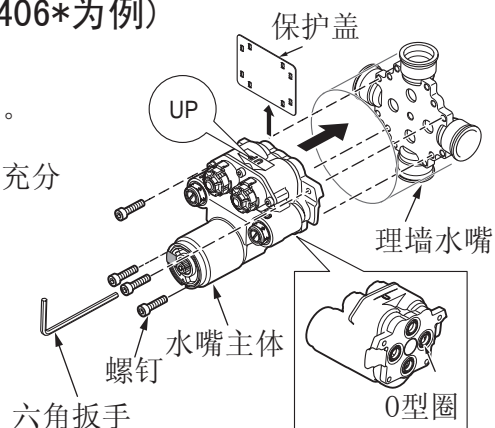
二、水嘴的安装(以TBV02406*为例)

1. 水嘴主体部的安装

- 取出水嘴主体部，取下保护盖。
- 水嘴主体上的“UP”向上方向装入埋墙水嘴内，并用螺钉充分紧固。

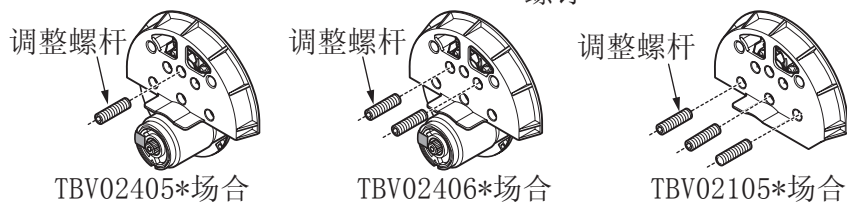
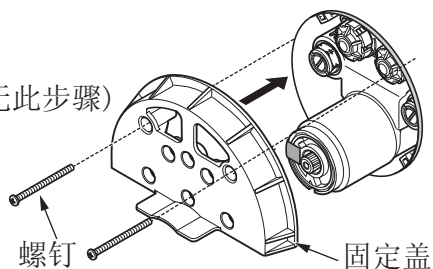
注意

- 取下保护盖时注意螺钉不要掉落丢失、O型圈不能脱落。
- 水嘴主体的螺钉请用产品包装内的六角扳手紧固。
- 水嘴主体的安装方向不能上下颠倒。



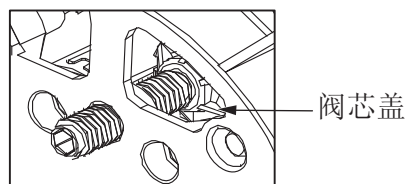
2. 调节螺杆的切断(TBV02402*场合无此步骤)

- 取出固定盖，并用螺钉固定到埋墙水嘴内。
- 取出调节螺杆旋入相应位置，拧紧到与阀芯盖表面接触即可。



注意

- 螺钉不可用电动工具猛力拧紧。
- 调节螺杆不可强力拧紧。



水嘴的安装

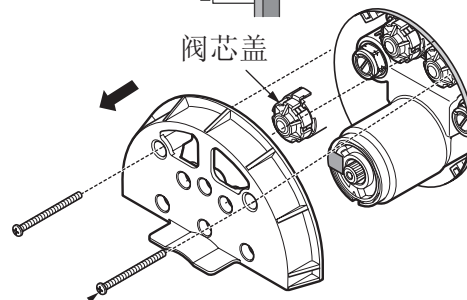
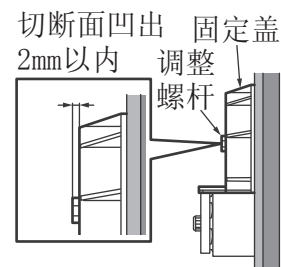
d. 用手锯紧贴固定盖表面切断调节螺杆。

e. 取下切断好的调节螺杆，再取下固定盖，最后取下阀芯盖。

注意：调节螺杆出场时额外配备了1套数量，若切断失误可取用备用件重新进行切断。取下的固定盖及阀芯盖无功能装配性，请产品安装后按照国家法规规定废弃。

注意

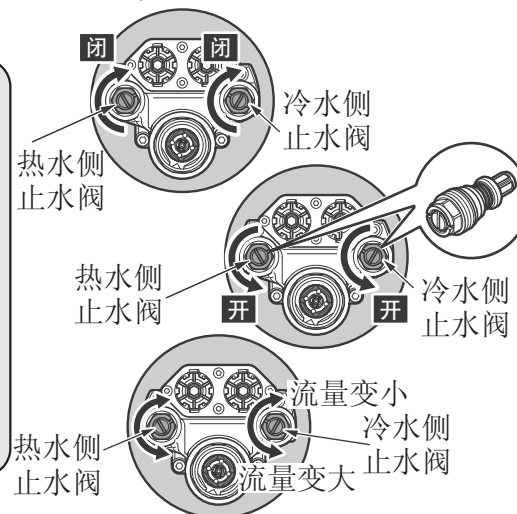
- 切断时要保持调节螺杆固定无转动。
- 调节螺杆切断面要平整、无毛刺。
- 取下固定盖时螺钉请勿丢失。



3. 衬板部的安装

注意

- 衬板部安装前，请先确认止水阀是否完全开启，并进行水压测试，查看水嘴主体部的安装是否良好。
- 按动按启式阀芯，确认整个水路的末端出水流量是否正常，若流量很小，请旋出止水阀，清洗上面的过滤网。
- 根据所需水量的大小旋转转水阀中间的芯轴至合适的位置。

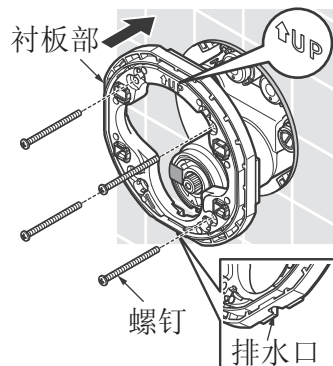


水嘴的安装

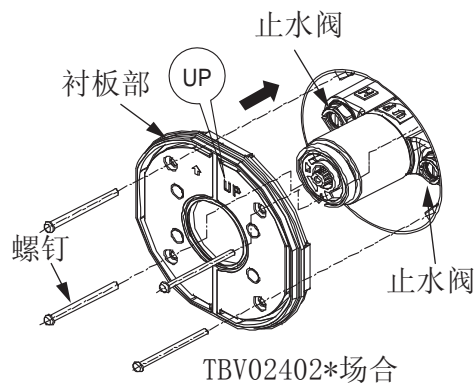
取出衬板部并用螺钉固定到埋入水嘴上。

注意

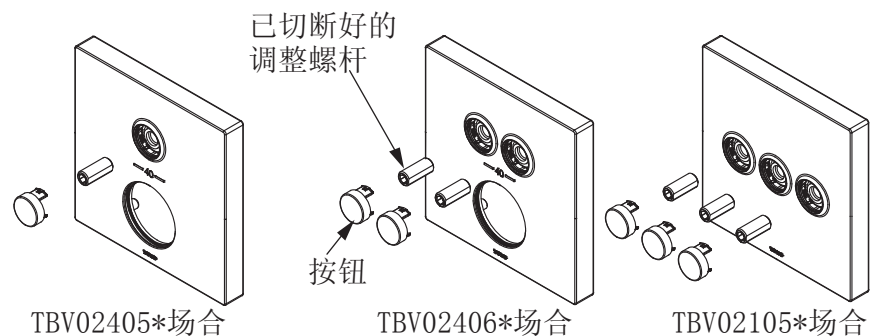
- 衬板上的“UP”要向上，排水口向下。
- 请将衬板上的发泡垫片压紧，尽量减小衬板与墙面的间隙。
- 请手动紧固螺钉。不能使用电动工具强力拧紧。



TBV02105*、TBV02405*、TBV02406*场合



4. 按钮的安装 (TBV02402*场合无此步骤)

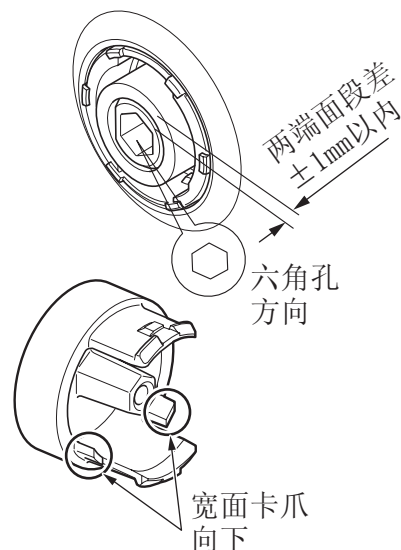


水嘴的安装

- ① 将刚才已切断好的调节螺杆旋入装饰板中。
- ② 装上按钮。

注意

- 调节螺杆的切断面向外，并且与装饰板内的滑动件端面段差保证在 $\pm 1\text{mm}$ 以内。
- 调节螺杆旋止时要保证六角孔的一个角向上。
- 按钮要保证宽面的卡爪向下安装。



TBV02105*、TBV02406*场合，请根据配套的其他产品来选择表示相应功能图标的按钮进行安装。



吐水口



手持花洒



顶喷花洒

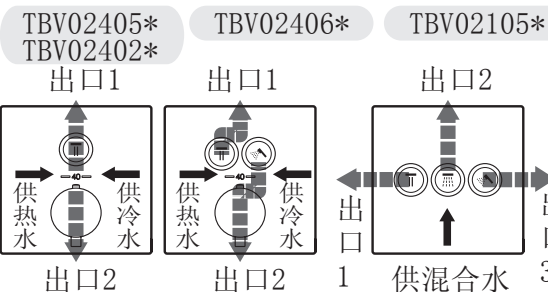


侧面冲洗



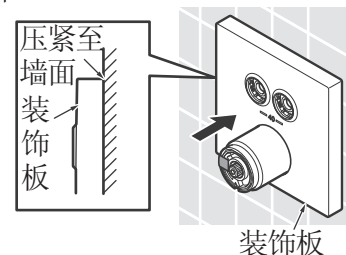
固定花洒整流吐水

产品水路 水流方向



5. 装饰板部的安装

将装饰板部套上水嘴主体，并压紧。

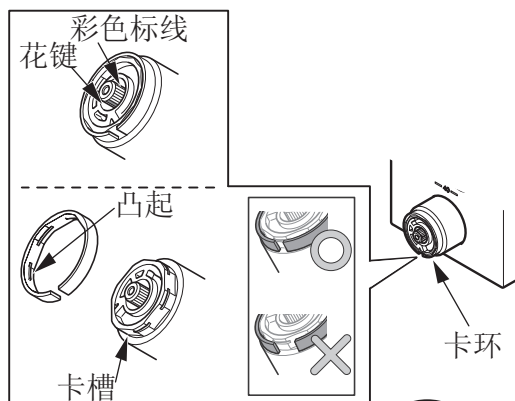


水嘴的安装

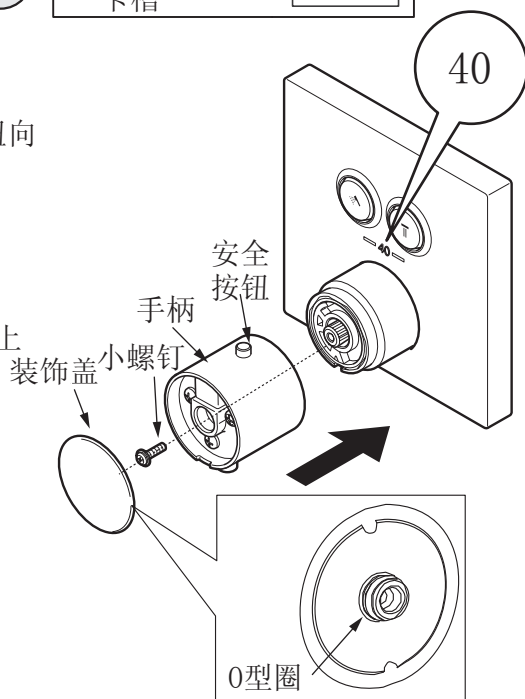
6. 手柄部的安装 (TBV02105*场合无此步骤)

注意

- 手柄部安装前请确认卡环开口向下，并且内部凸起已卡入卡槽内。
- 由于调温阀芯出厂前出水温度初步调节为40℃，并在花键上涂有彩色标线，请将彩色标线旋转至向上与“40”对齐。



- 将卡环开口调整至向下。
- 装上手柄，确保安全按钮向上并与“40”对齐。
- 拧上小螺钉。
- 盖上并压紧装饰盖。
便于安装时可以在O型圈上涂布少量肥皂水润滑。



生产厂家与销售商

执行标准: QB 2806-2006

GB/T 1334-2013(TBV02105*场合)

产品型号: 见包装箱上的标签

产品名称: 见包装箱上的标签

生产日期: 见包装箱上的标签

组装工厂: 东陶(大连)有限公司

电话: (0411) 87624386

厂址: 大连经济技术开发区东北二街17号

东陶(中国)有限公司

全国售后服务电话: 800-820-9787(固定电话)

400-820-9787(手机用户)

销售商: 东陶(中国)有限公司

地址: 北京市朝阳区光华路1号 北京嘉里中心北楼1915室

网址: www.toto.com.cn

Contents

Contents

Contents	1
Detailed list	2
Use condition and attentions in construction	3
Attentions in construction and maintenance	4
Installation completion figure.....	5-7
Faucets installation.....	8-13

Detailed list

Detailed list

Main water nozzle body part	1 set
Handle part	1 set
External plate part	1 set
Liner plate part	1 set
Fixing cover	1 piece
Adjusting screw	1 set
Button	1 set
Screw	4 pieces
Instructions for construction	1 copy
Instructions for operation	1 copy

The products using this detailed list include:

TBV02105 * "G Shower" Conceald 3way Push Button Shut Off Valve
(Contemporary Type)

TBV02405 * "G Shower" Conceald Thermostat and 1way Push Button Shut
Off Valve (Contemporary Type)

TBV02406 * "G Shower" Conceald Thermostat and 2way Push Button Shut
Off Valve (Contemporary Type)

TBV02402 * "G Shower" Conceald Thermostat Valve for 3way Push Button
(Contemporary Type)

Use condition and attentions in construction

Use condition

1. Cold water supply*hot water supply pressure

Minimum pressure 0.05MPa (flow pressure)

Maximum pressure 1.0MPa (static pressure)

Recommended pressure 0.1-0.5MPa (flow pressure)

A pressure-reducing valve has to be installed when exceeding 0.5MPa.

Testing pressure1.6MPa (static pressure)

2. The temperature for water supply is 4~90℃. It is suggested to use the temperature of 60±5℃. Do not use steam to supply hot water.

3. The ambient temperature for use is above 0℃. If the ambient temperature is lower than 0℃, the faucets will deform and crack from freezing.

4. To prevent internal sprinkler damage, the water outlet temperature on the sprinkler side shall not exceed 60℃. It is suggested to use a temperature below 45℃.

5. Being out of use for a long time may result in internal and external rust to the faucets and being unable to be used.

6. If you want to scrap this product, do not treat it as you do for general household garbage. Please follow relevant statutes to have it treated, recovered and collected appropriately by an independent recovery system.

7. The product in these instructions has a cleaning function.

※ To attain the best installation and operation effect, it is recommended to use with TOTO series sprinkler in a supporting manner.

Attentions in construction and maintenance

⚠ Attentions in construction

⚠ Warning: it means that ignoring this mark and misoperation may cause serious personal injury and death.

⚠ Attention: it means that ignoring this mark and misoperation may cause personal injury or property loss.

⚠ Warning

1. The hot water supply side of the faucets is in a condition of high temperature. Do not allow skin to contact with the hardware surface directly. Otherwise, scalding may occur.
2. Do not reverse the cold*hot water pipe. Otherwise,scalding may occur.
3. Do not use steam to supply hot water. Otherwise, scalding may occur.
4. When switching directly from the water outlet side to the shower side or from the shower side to the water outlet side,the water temperature may change.Be sure to use after measuring the water temperature with hand.Otherwise,scalding may occur.
5. Turn the temperature-regulating handle slowly.If turning the temperature-regulating handle rapidly,the temperature will rise or reduce sharply.
6. After using hot water,it is imperative to turn the temperature-regulating handle below "40" to avoid hot water spraying out when using it again.

⚠ Attentions

1. As the temperature control spool is a precise component, do not dismantle it without authorization. Otherwise, such poor conditions as water leakage, etc. may be caused.
2. Do not use strong force to impact the faucet. Otherwise, water leakage or faucet strength reduction may occur.
3. With the product design being updated constantly, the physical object may not coincide with the figure. However, the basic principle for installation, use is the same.
4. Due to water supply insption before ex-factory,there may be water remaining in the faucet.This is not a product problem.

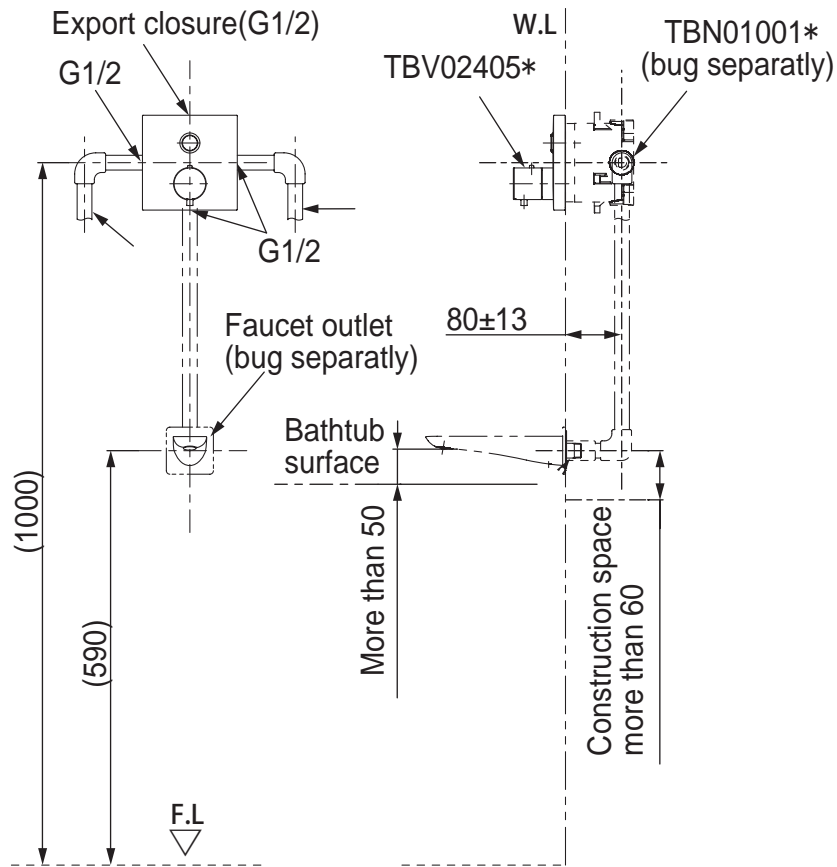
Maintenance

To maintain a beautiful appearance of the product, the user is requested to conduct maintenance and care in the following method.

1. Wipe with a piece of soft cloth frequently and use a piece of soft cloth dipped in water to wipe from time to time.
2. When dirt exists obviously, please use water to wash sufficiently after wiping with a neutral detergent.

Installation completion figure

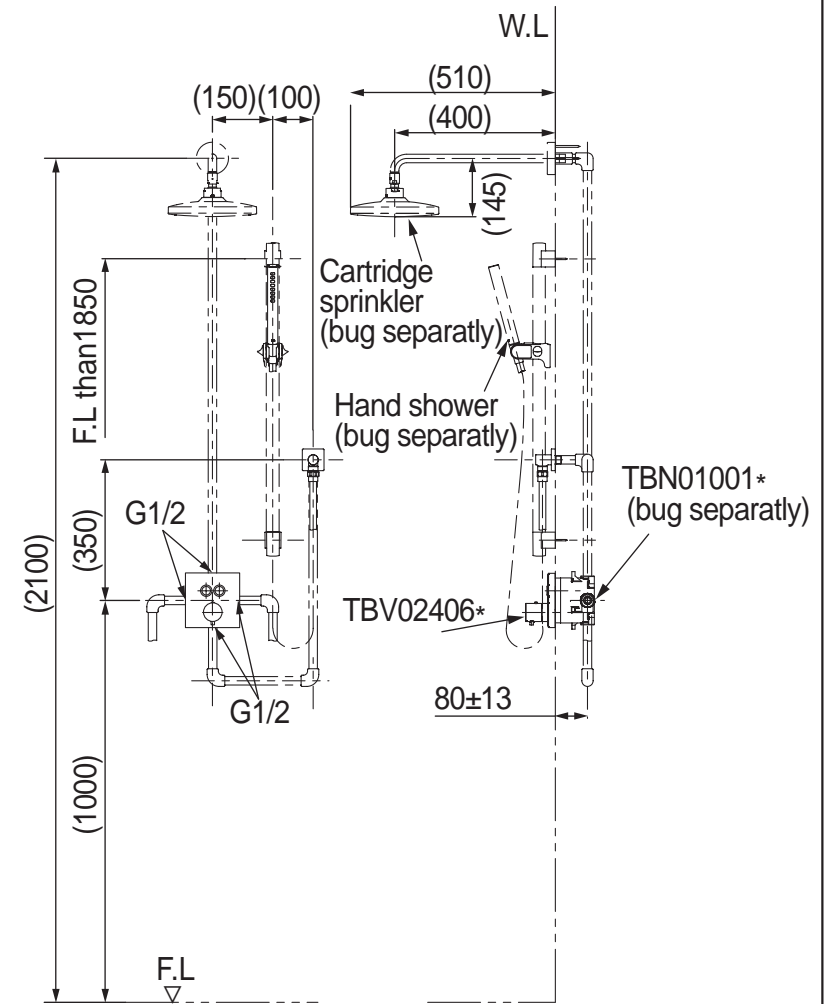
TBV02405* "G Shower" Conceald Thermostat and 1way Push Button Shut Off Valve (Contemporary Type)



Note: The above dimensional unit is mm.
The dimensions in () are reference ones.

Installation completion figure

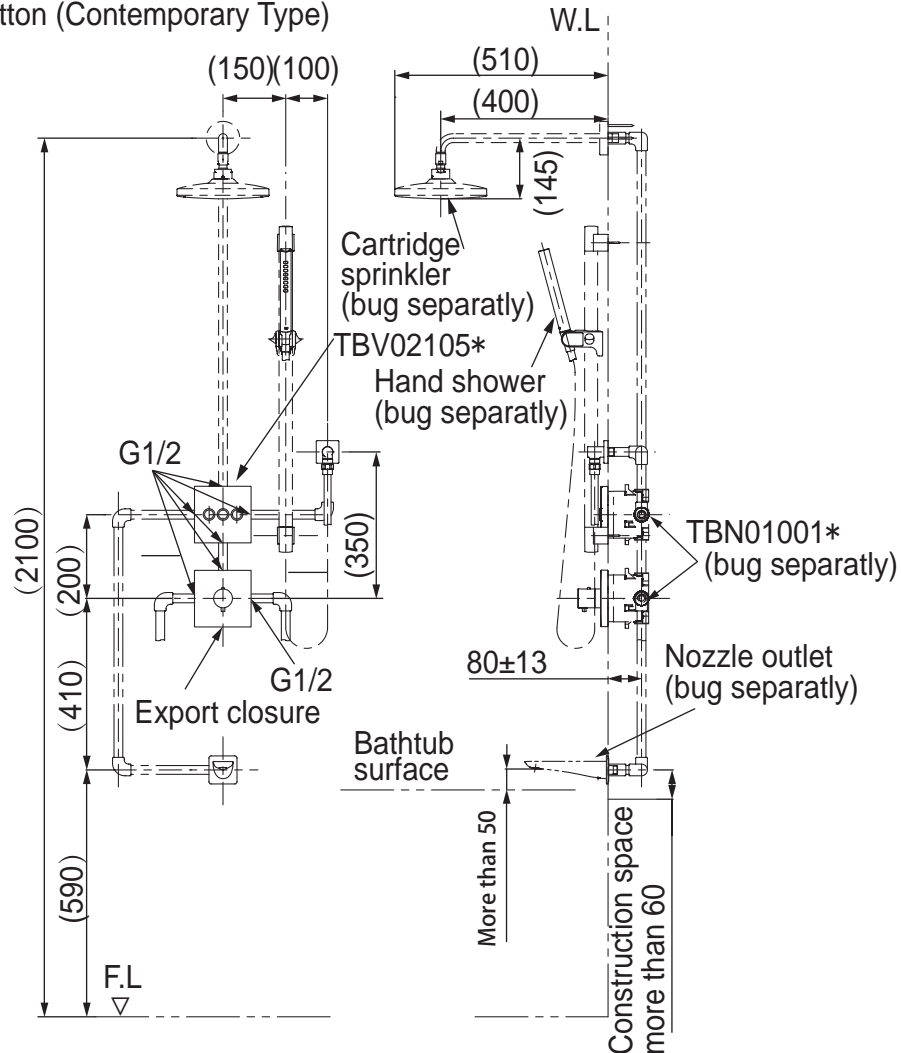
TBV02406* "G Shower" Conceald Thermostat and 2way Push Button Shut Off Valve (Contemporary Type)



Note: The above dimensional unit is mm.
The dimension in () is reference dimension.

Installation completion figure

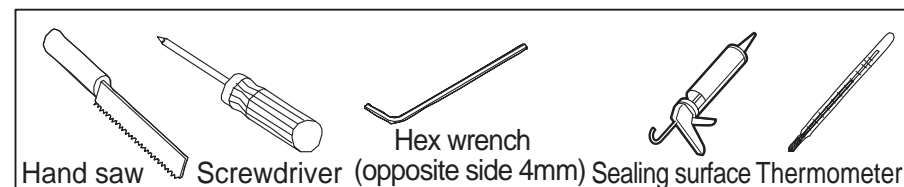
TBV02105* "G Shower" Conceald 3way Push Button Shut Off Valve (Contemporary Type)
 TBV02402* "G Shower" Conceald Thermostat Valve for 3way Push Button (Contemporary Type)



Note: The above dimensional unit is mm.
 The dimension in () is reference dimension.

Faucets installation

Tools to be prepared

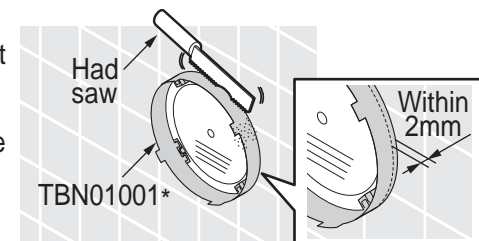


Confirm the following before installation

- Confirm that the water supply pipe has been closed and the water circuit has been cleaned before installation.
- Read carefully the instructions for construction and install according to the main points for installation in the instructions.

I. Preparation before Faucet installation

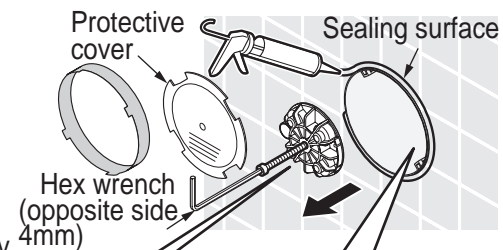
1. For the buried product properly installed (TBN01001*), remove the part of resin sleeve exposed from the wall. It is required to ensure that the convex edge of the resin sleeve is within 2mm with the wall surface. (The edge cannot be recessed inside the wall surface either)



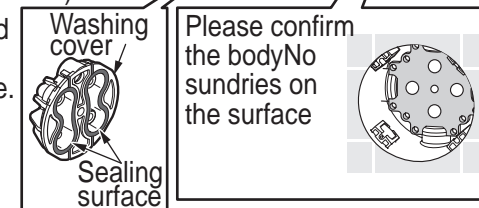
Attentions

- In cutting the resin sleeve, note that cut edge is neat.
- In cutting the protective cover, there is a possibility of being scratched. But this does not influence the use of the whole product.

2. Apply waterproof adhesive uniformly in the gap between the buried box, and wall surface. No adhesive surface shall be convex from the wall surface.



3. Remove the protective cover. After using a hex wrench to remove the screws, take out the washing cover.



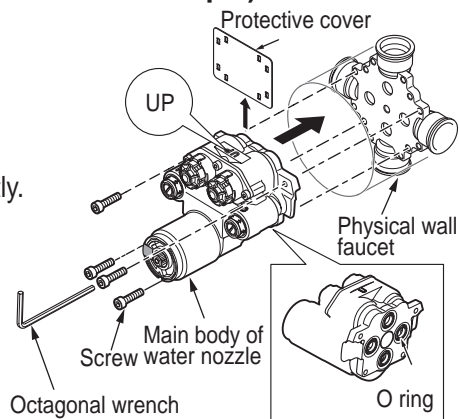
Faucets installation

II. Faucet installation (take TBV02406* as an example)

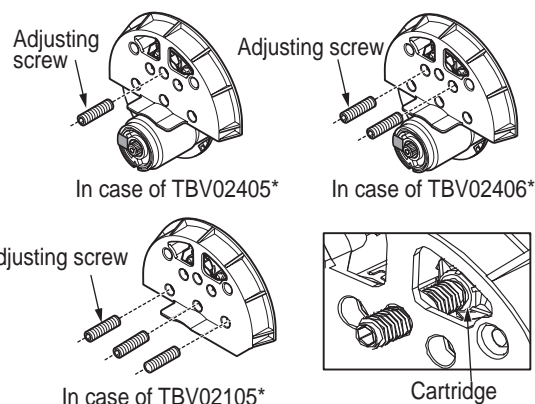
1. Installation of main body part of faucet
 - a. Take out the main body part of faucet and remove the protective cover.
 - b. Install the up direction mark "UP" on the main body of faucet in the faucet buried in wall and use screw to secure sufficiently.

Attentions

- When removing the protective cover, take care not to allow screws drop and lose. The O-ring cannot fall off.
- Please use the hex wrench in the product package to fasten the screws on the main body of faucet



2. Cutting off of adjusting screw (in case of TBV02402*, there is no this step)
 - a. Take out the fixing cover and use screws to fix it in the faucet buried in wall.
 - b. Take out the adjusting screw and screw in a corresponding position. Just tighten until contacting with the cartridge surface.



Attentions

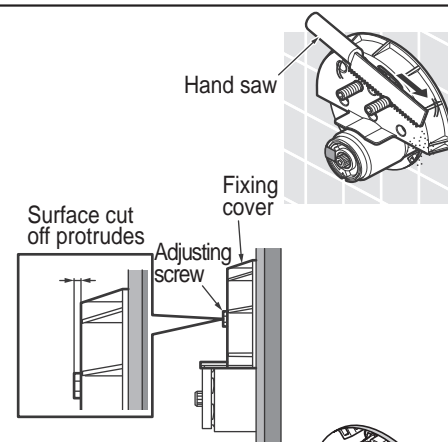
- Do not use electric tool to tighten the screws by sudden force.
- Do not screw tight the adjusting screw by strong force.

Note: The above dimensional unit is mm.
The dimension in () is reference dimension.

Faucets installation

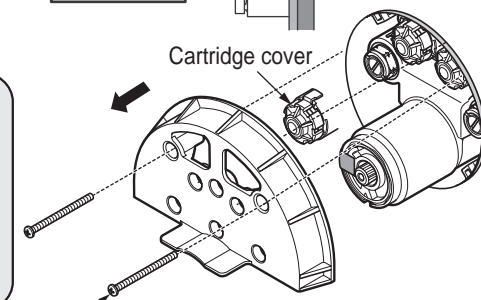
- d. Use a hand saw contacting closely with the surface of the fixing cover to cut off the adjusting screw.
- e. Remove the properly cut off adjusting screw. Then remove the fixing cover. At last, remove the cartridge cover.

※An additional set of adjusting screw is equipped for appearing on site. If cutting off is not successful, use the spare part to cut off again. The fixing cover removed has no functional assembly. Please abandoned after the installation of the product according to the national rules and regulations.



Attentions

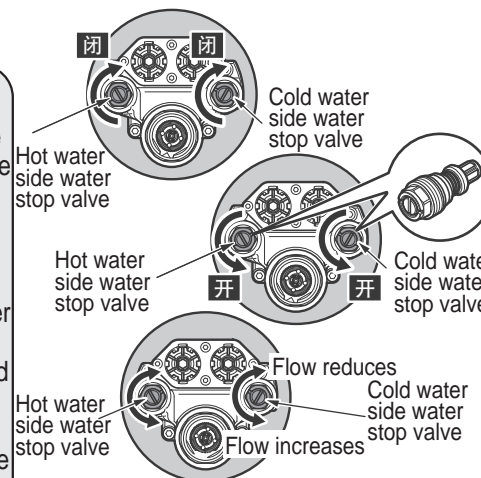
- In cutting off, keep the adjusting screw fixed without turning.
- The surface of the adjusting screw cut off must be flat with no burr.
- Do not lose the screws when removing the fixing cover.



3. Installation of liner plate

Attentions

- Before installing the liner plate part, please confirm first if the water stop valve is fully open and conduct a water pressure test to see if the main body of faucet is installed properly.
- properly. Press the press start type cartridge and confirm if the outlet water flow at the terminal end of the whole water circuit is normal. If the flow is very small, please screw out the water stop valve and clean the filter net thereon.
- Turn the spindle in the water stop valve to an appropriate position according to the water amount required.

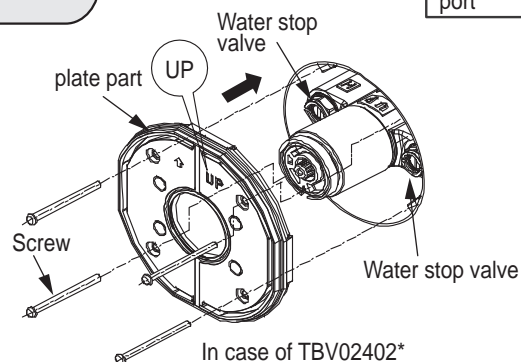
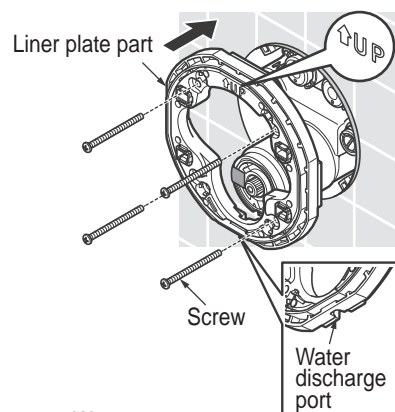


Faucets installation

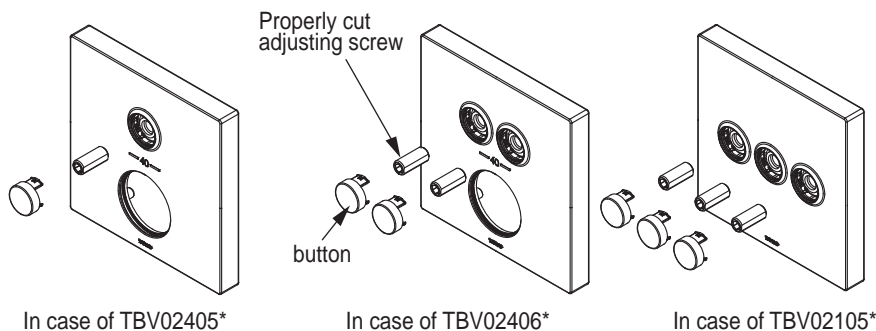
Take out the lining plate part and use screws to fix it onto the faucet buried in.

Attentions

- The "up" on the lining plate should face up and the water discharge port should face down.
- Please compress the foam gasket on the lining plate and reduce the gap between the lining plate and wall surface as practical as possible.
- Please fasten the screws manually. Do not use electric tool to tighten by force.



4. Button installation (in case of TBV02402*, there is no this step)

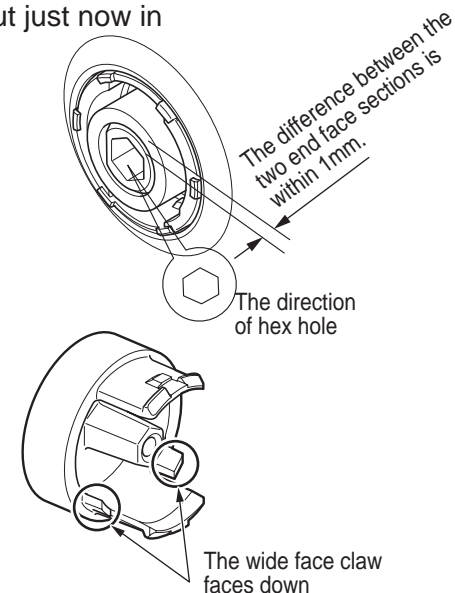


Faucets installation

- ①Screw the adjusting which screw cut just now in the decorating plate.
- ②Install the button

Attentions

- The cut off surface of the adjusting screw faces outside and it is ensured that the end face section difference with the sliding part in the decorating plate is within 1mm.
- When the adjusting screw is turned to stop, ensure one angle of the hex hole faces up.
- The button needs to ensure the wide face claw.



In case of TBV02405*, TBV02406*, please select the button showing corresponding function icon according to other ancillary products for installation.

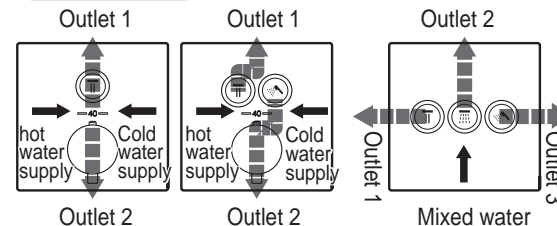


Waterway Flow direction

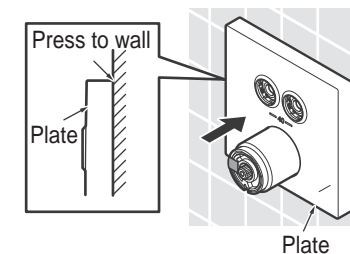
TBV02405*
TBV02402*

TBV02406*

TBV02105*



5. Decorating plate installation
Put the main body of faucet on the decorating plate part and compress tight.

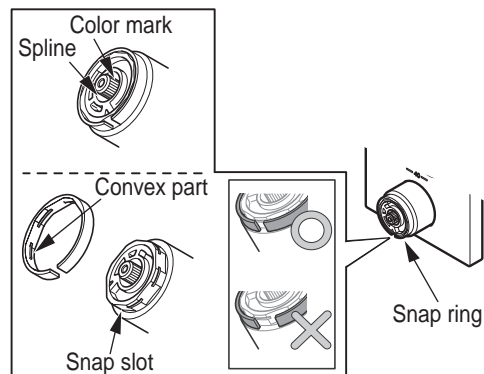


Faucets installation

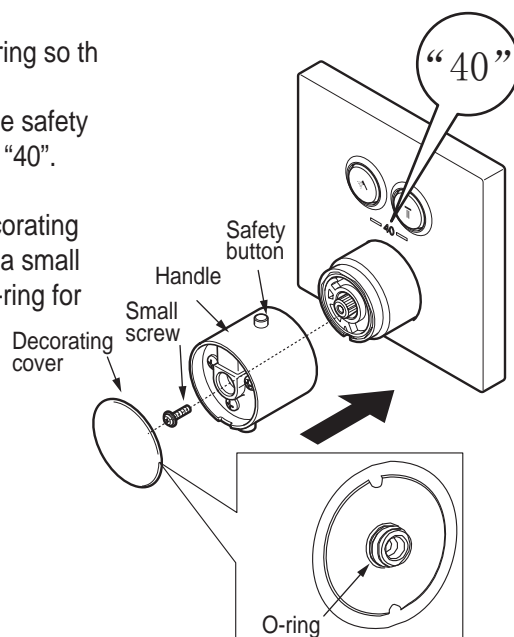
6. Handle part installation (in case of TBV02105*, there is no this step)

Attentions

- Before installing the handle part, confirm that the opening of the snap ring faces down and the internal convex part has been snapped in the snap slot.
- As before the temperature adjusting cartridge leaves the factory, the outgoing water temperature is initially adjusted to 40°C and a color marking is provided on the spline, please turn the color marking to the up direction to align with "40".



- Adjust the opening of the snap ring so that it faces down.
- Install the handle and ensure the safety button to face up and align with "40".
- Screw the small screws.
- Put on and press tightly the decorating cover to facilitate application of a small amount of soap water on the O-ring for lubrication.



TOTO Asia Oceania Pte. Ltd.

telephone:65-6744-6955

FAX: 65-6841-0819

Address: 10 Eunos Road 8 #12-07 Singapore Post Centre

Singapore 408600

Website:asia.toto.com

TOTO KOREA LTD.

전화번호 : (02)-3141-8236

FAX 번호 : (02)-3141-8240

주소 : 서울시 마포구 상수동 351-16번지 로이코빌딩 3층

홈페이지 : <http://www.totokr.co.kr>