

TOTO

入墙水箱安装说明书

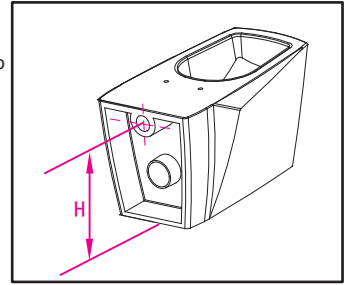
THE INSTALLING INSTRUCTION FOR CONCEALED TANK

重要提示:

1. 在安装本产品前, 请确认需要安装的便器的结构及外形, 右图为参考结构。同时需实际测量便器与便器低部间的实际尺寸H, 以利后续安装使用。
2. 在安装本产品前, 请根据室内装修的总体策划确定完成后的地坪面FFL, 并在安装墙上划出FFL线, 并始终以此作为高度0的基准线。
注: (1). 请在贴瓷砖以前安装本产品;
所有的尺寸单位为毫米。
(2). 本说明书以后排式安装为例。
(3). 图示零件若与实物不符, 请以实物为准。

Important instruction:

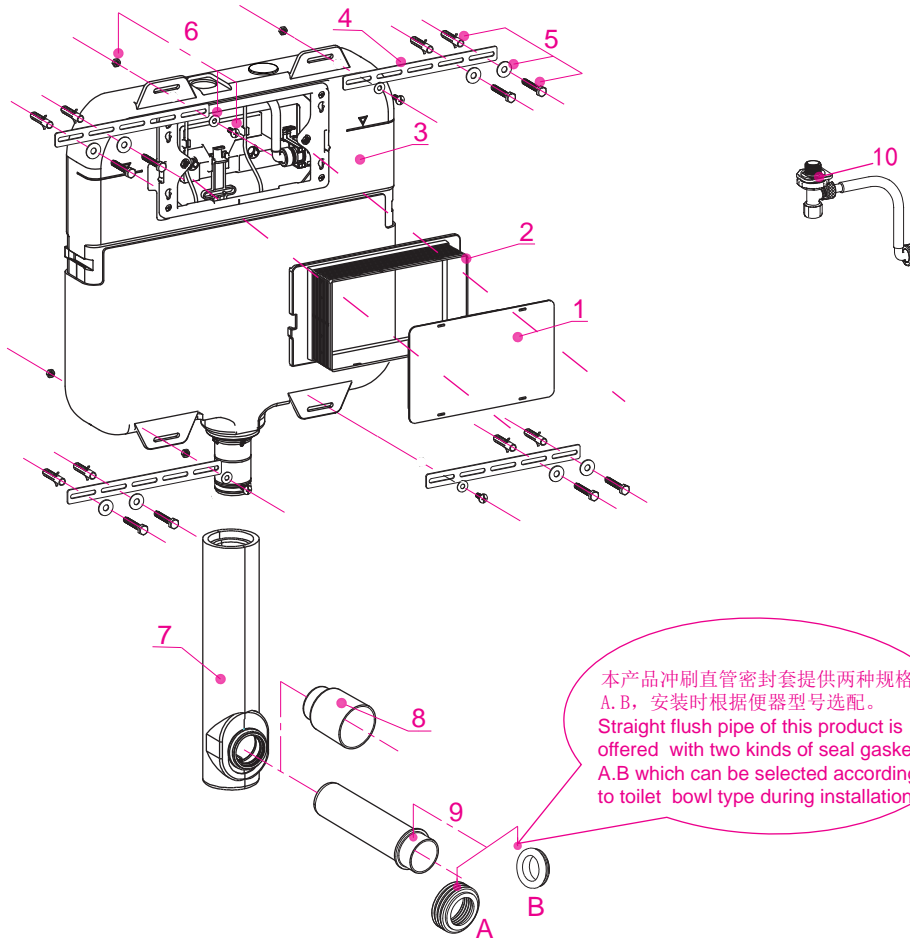
1. Please confirm the structure and shape before installing the toilet bowl. Meanwhile measure the exact size H between outfall and infall of toilet bowl so as to serve in subsequent installation.
2. Please confirm the FFL according to overall fitment arrangement indoor. Line out the FFL on the wall and always regard FFL as datum line of 0 height.
Note:
(1) please install the cistern before paving the bricks. The dimensional unit is millimeter.
(2) Take backwards drain pattern ceramic as an example in this instruction
(3) please subject to the object as right if it is not in conformity with the components in picture.



⚠ FFL 0 = 完成面地坪

⚠ FFL 0 = Finished Floor Level

主要配件、用途一览表 Main fittings and function list:

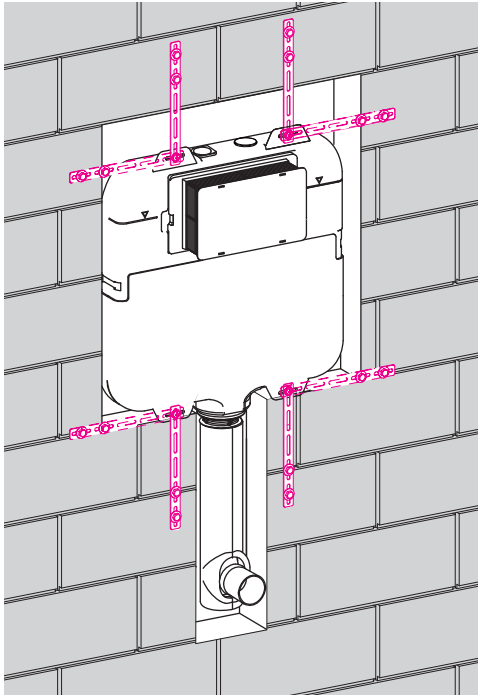


NO.	名称 NAME	数量 QTY	用途 FUNCTION
1	保护盖 Protection cover	1	防止装修时杂物进入水箱 To prevent sundries falling into the tank when fitment
2	保护框 Protection frame	1	砌墙时为按钮面板预留空间用 For space reservation of push button plate when building the wall
3	水箱组件 Tank components	1	装水及承载其它零部件 To load of water and the other accessories
4	紧固板 Fixing sheet	4	调整及固定水箱组件 To adjust and fix the components of tank
5	膨胀螺栓组 Exposure bolts components	8	固定水箱组件 To fix the tank components
6	固定螺钉组 Screw components	2	将紧固板固定到水箱上 To connect the fixing sheet and the tank
7	冲刷弯管组件 Curved drain pipe components	1	连接水箱与便器 To connect tank and toilet bowl
8	弯管堵头(冲) Plug for curved pipe	1	砌墙时为冲刷直管预留空间用 To reserve space for straight flush pipe when building the wall
9	冲刷直管组件 Straight flush pipe components	1	连接水箱与便器及墙面距离的补偿 To connect the tank and toilet bowl and to fill up the distance to wall
10	角阀 Angle valve	1	进水阀开关 On-off For Filling Water

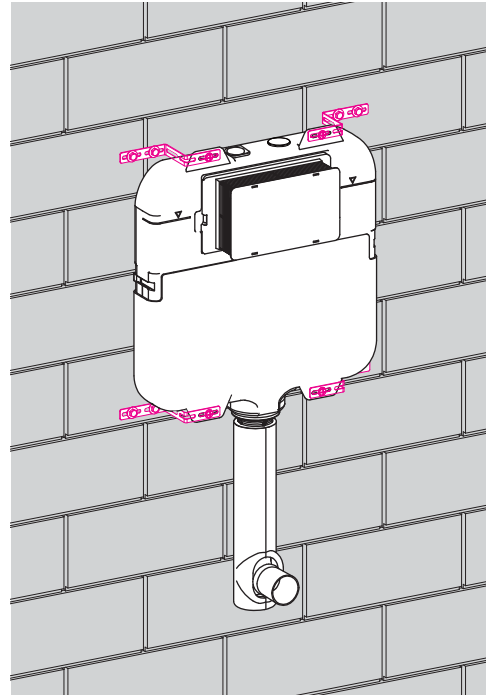
一、安装方式策划 *Installation method:*

1 根据装修设计需要,水箱上紧固板安装选择方案一或方案二的安装方案。
Choose installing method 1 or 2 according to request of fitment design and the method of the Fixing sheet on the tank.

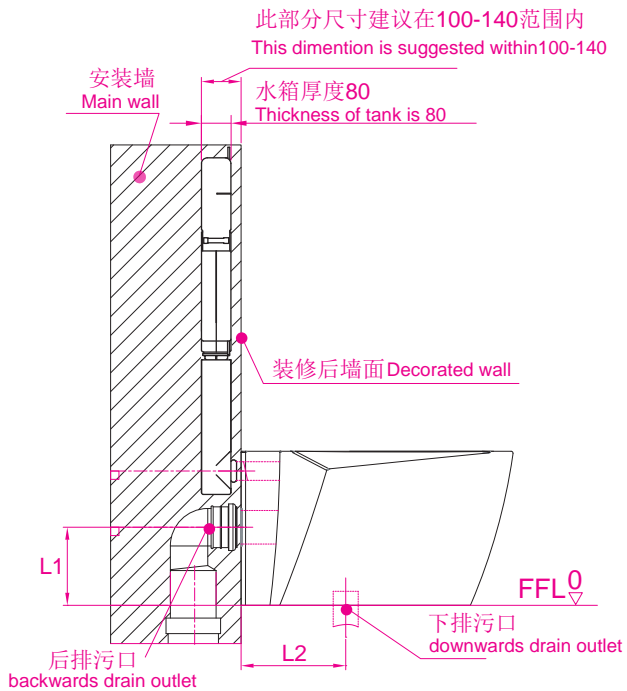
水箱安装方案一
Method 1



水箱安装方案二
Method 2



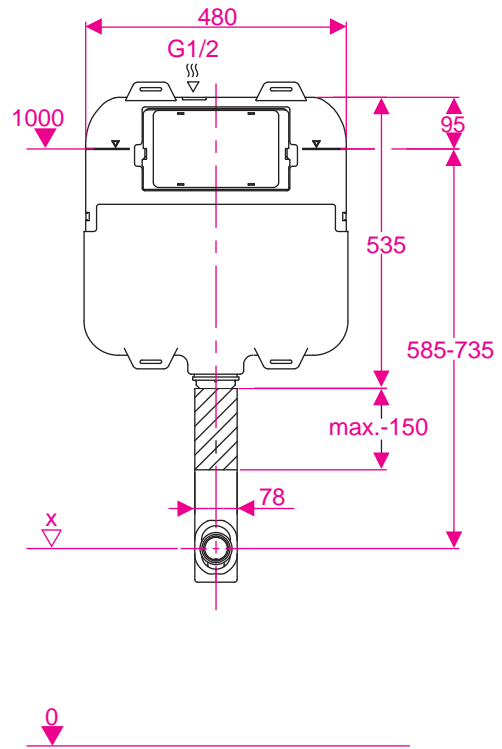
2 侧面图 Side elevation



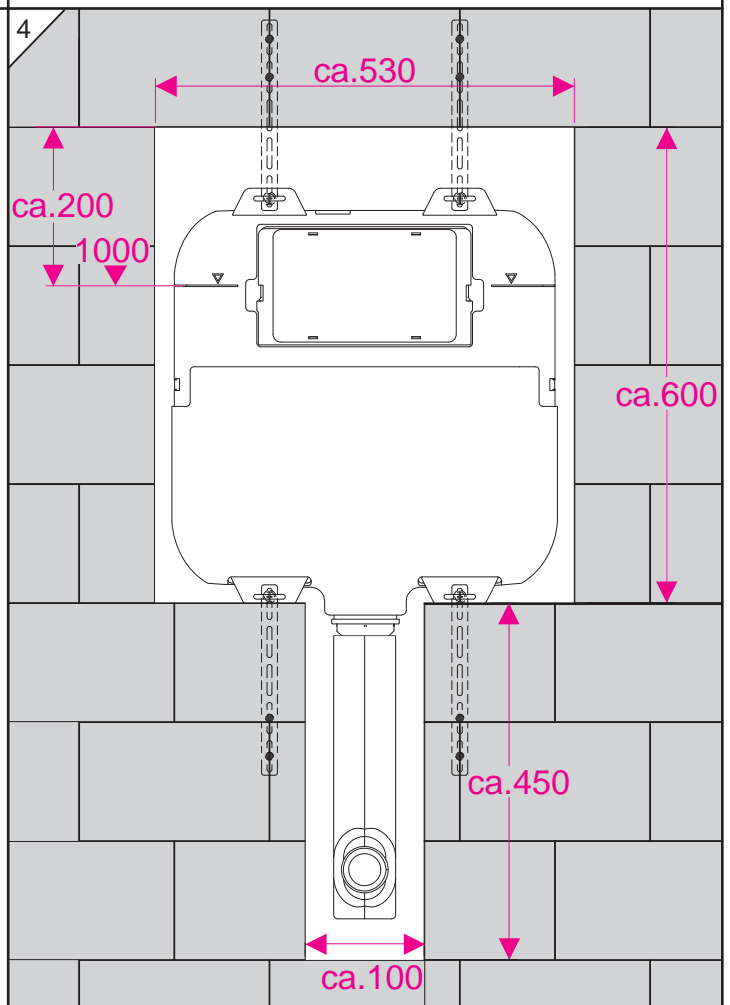
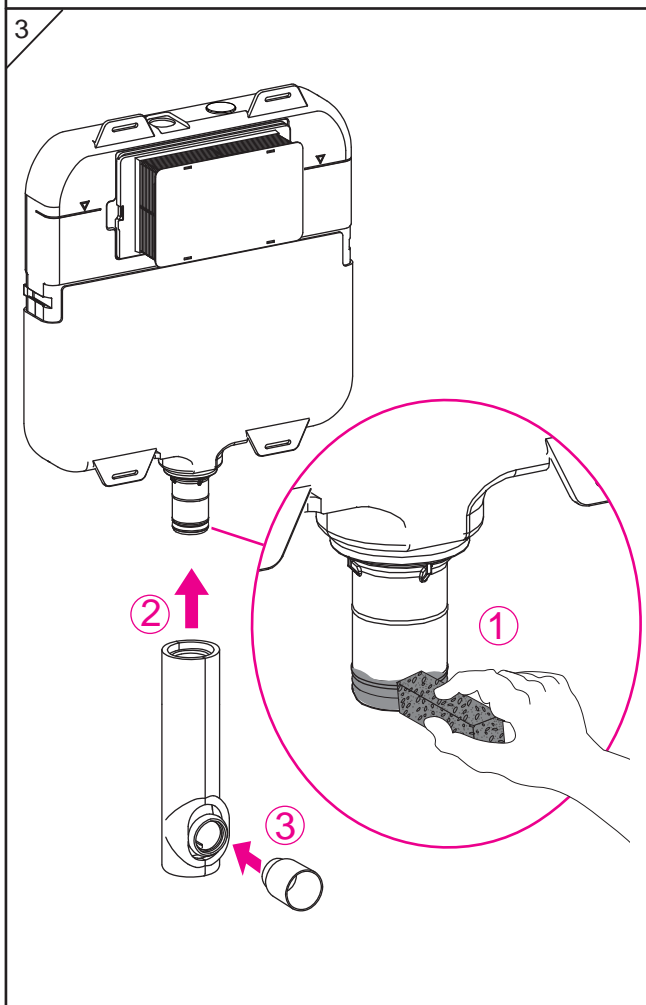
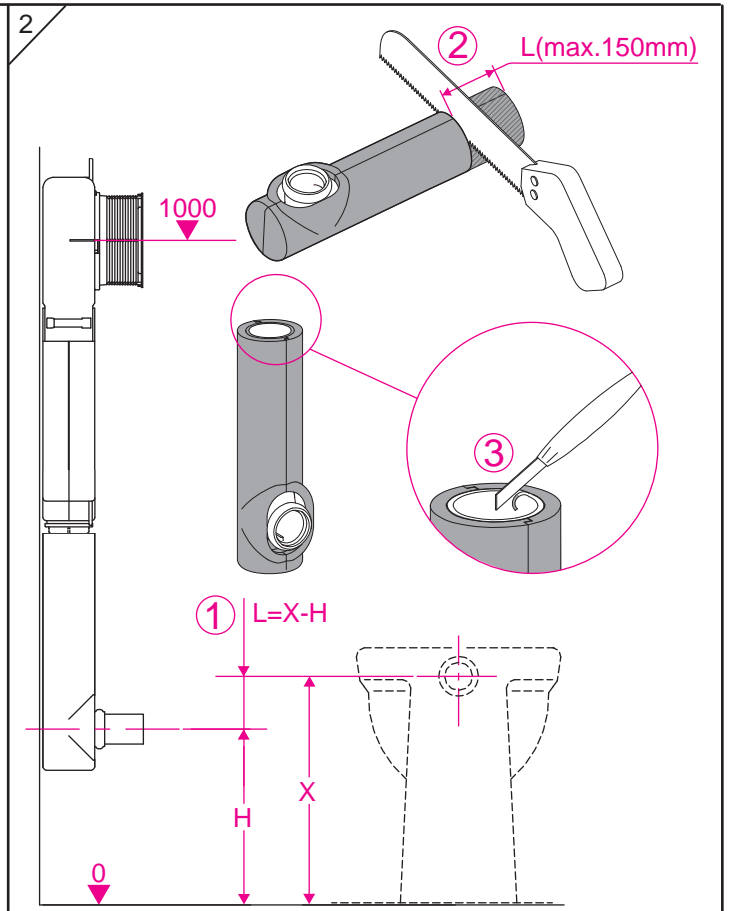
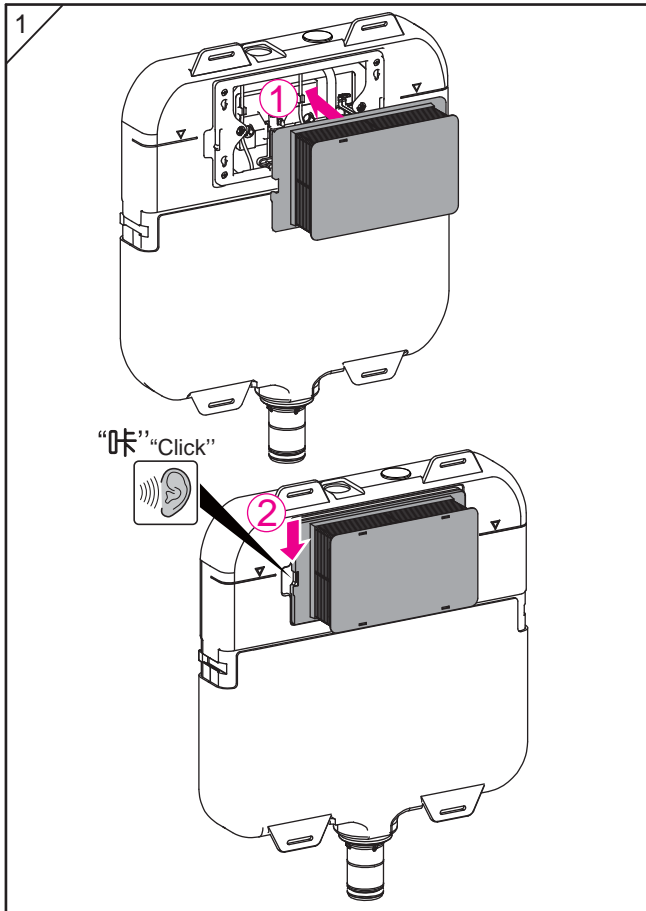
后排式: L1尺寸排污口中心到FFL距离, 请客户根据便器的实际尺寸调整. 具体请参照便器安装说明书.
下排式: L2尺寸为下排污口中心到完成墙面的距离, 请客户请参照便器安装说明书, 确定L2尺寸.

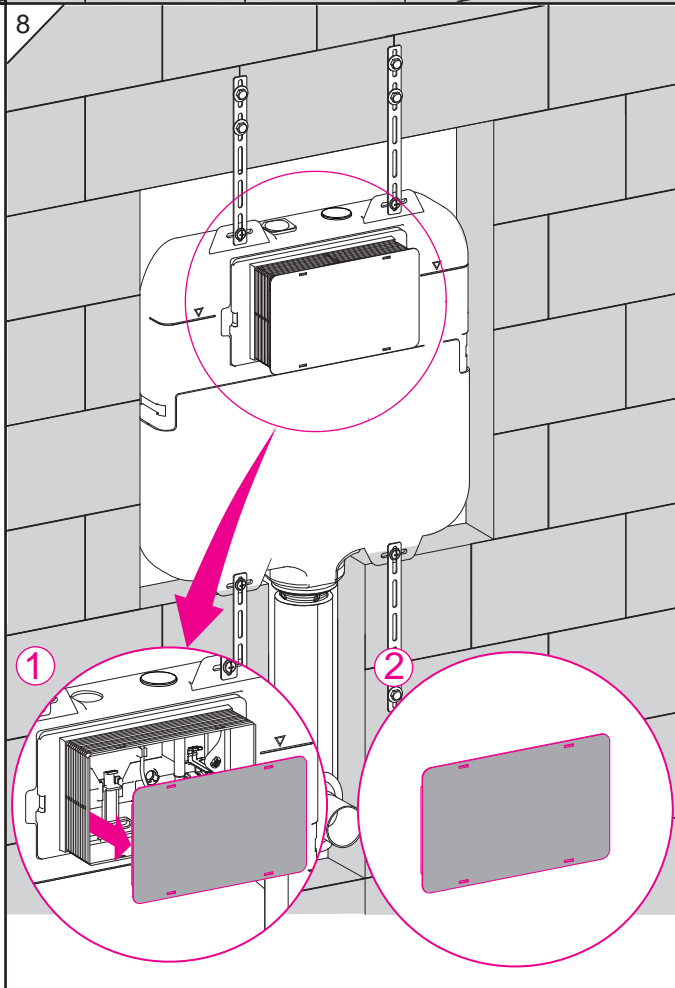
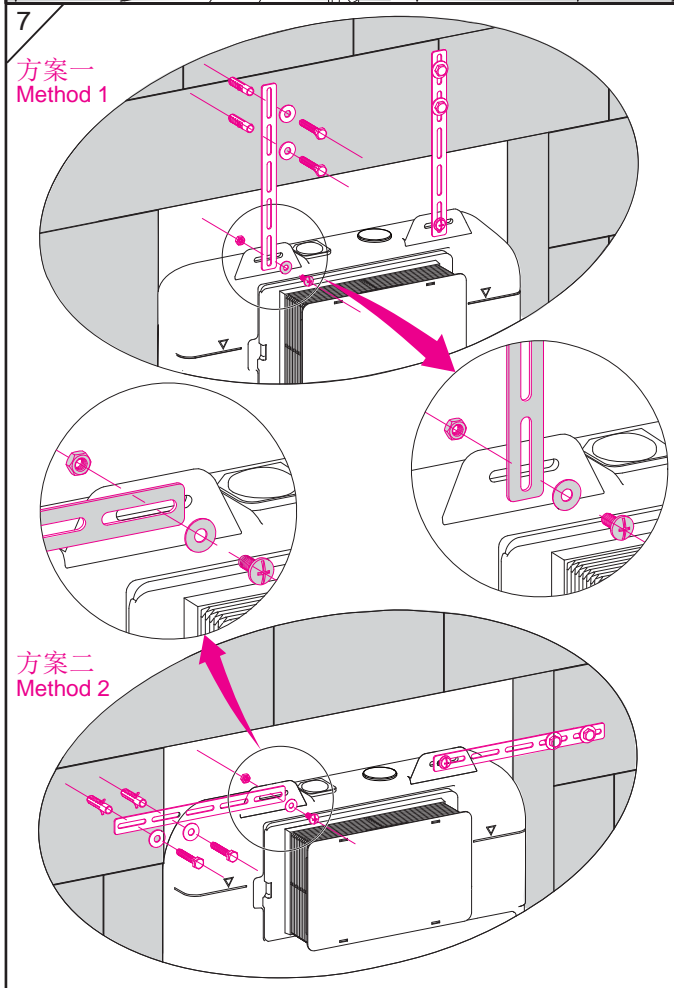
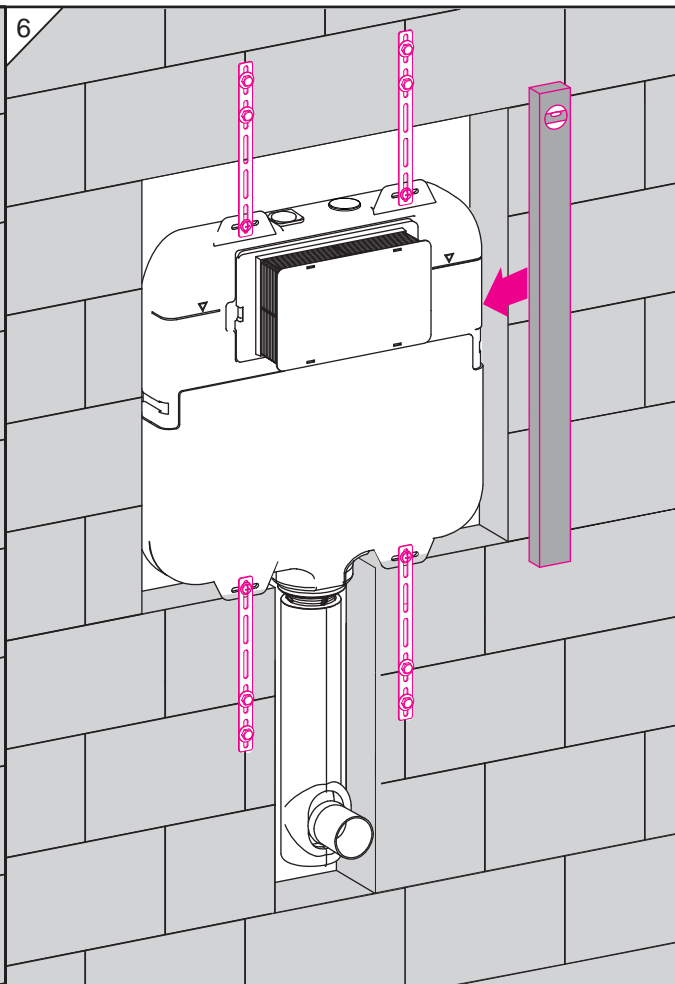
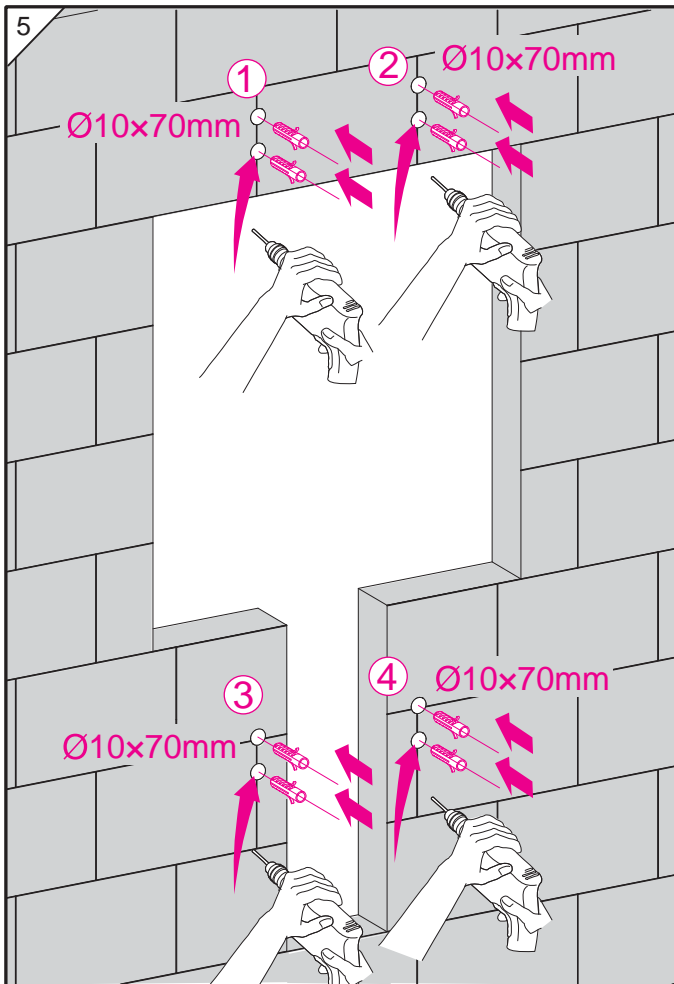
Backwards drainage: please adjust the distance of L1 according to the real size of toilet bowl. Please refer to the instruction of toilet bowl installation.
Downwards drainage: please make sure the size of L2 according to the instruction of toilet bowl installation.

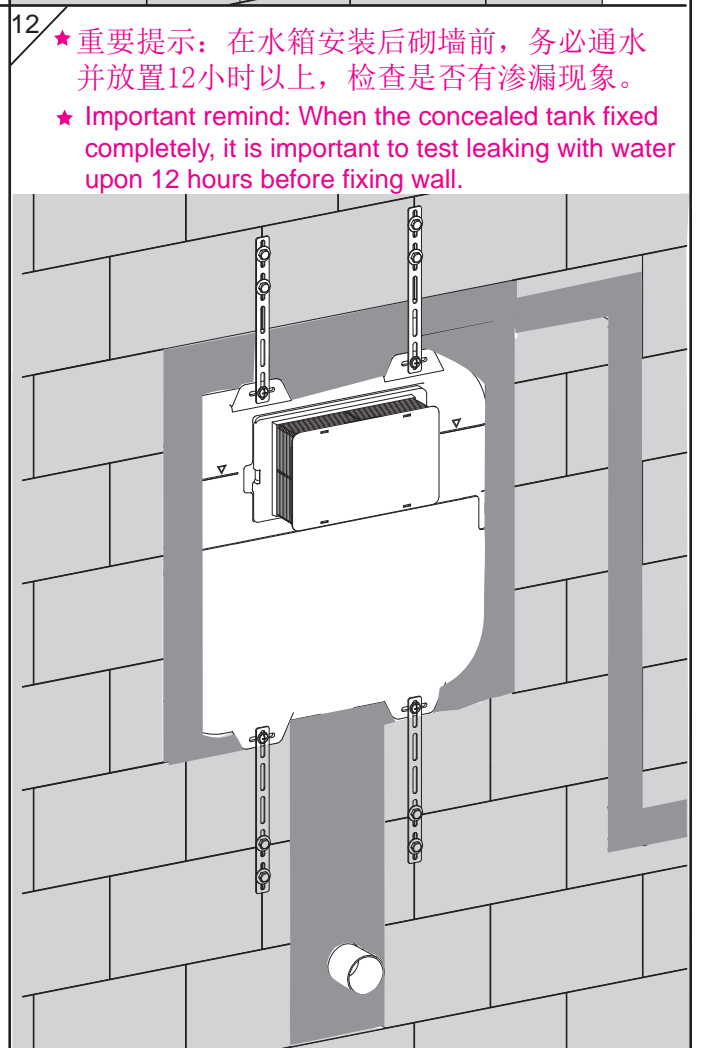
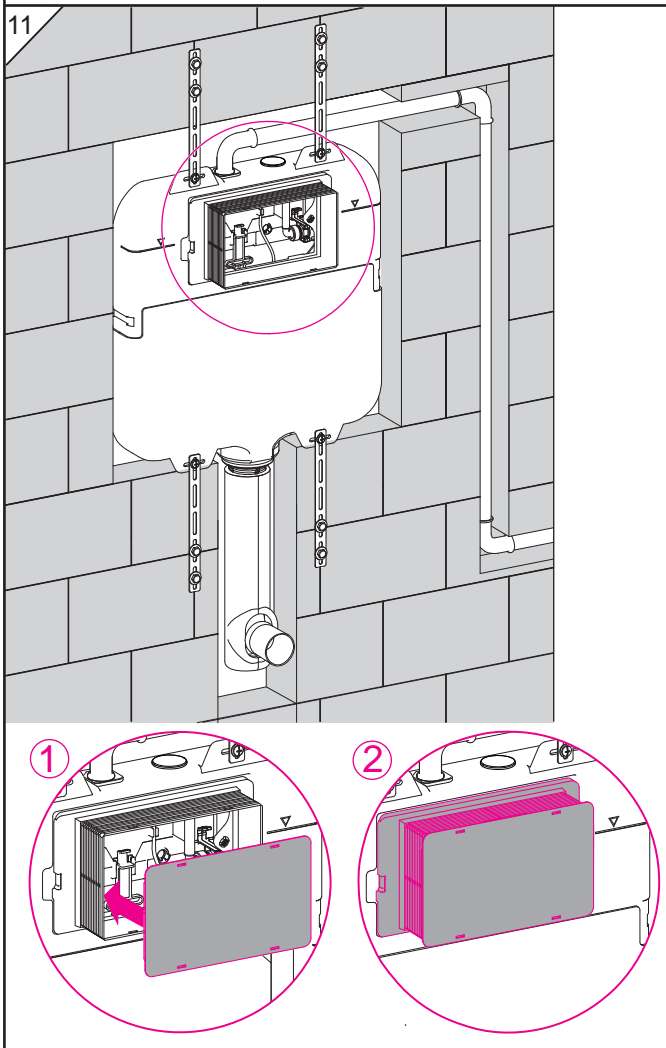
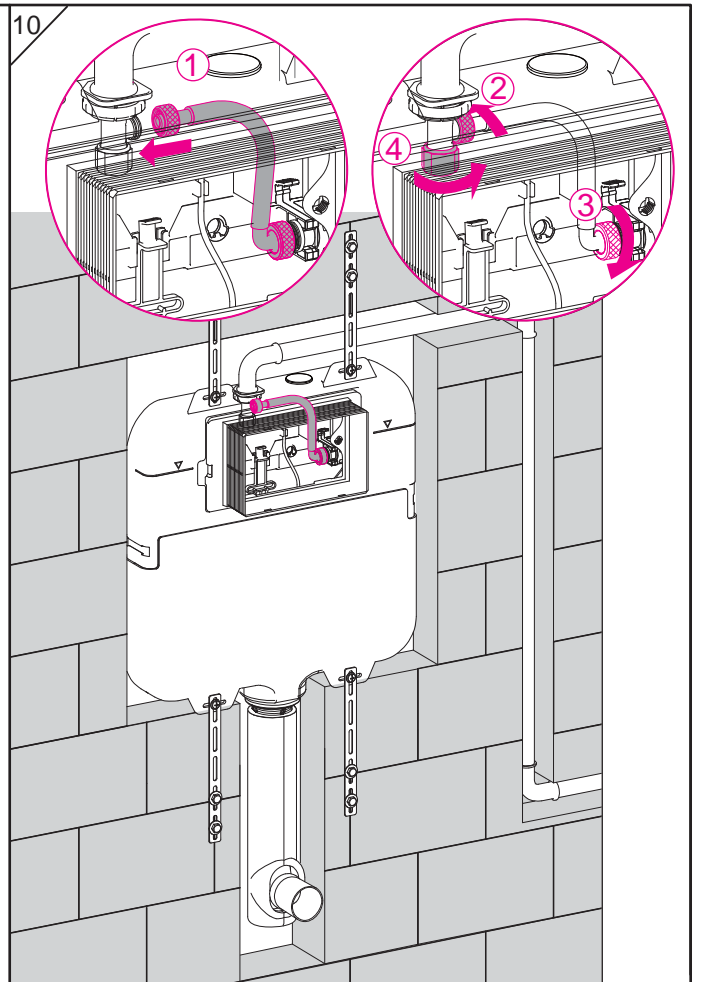
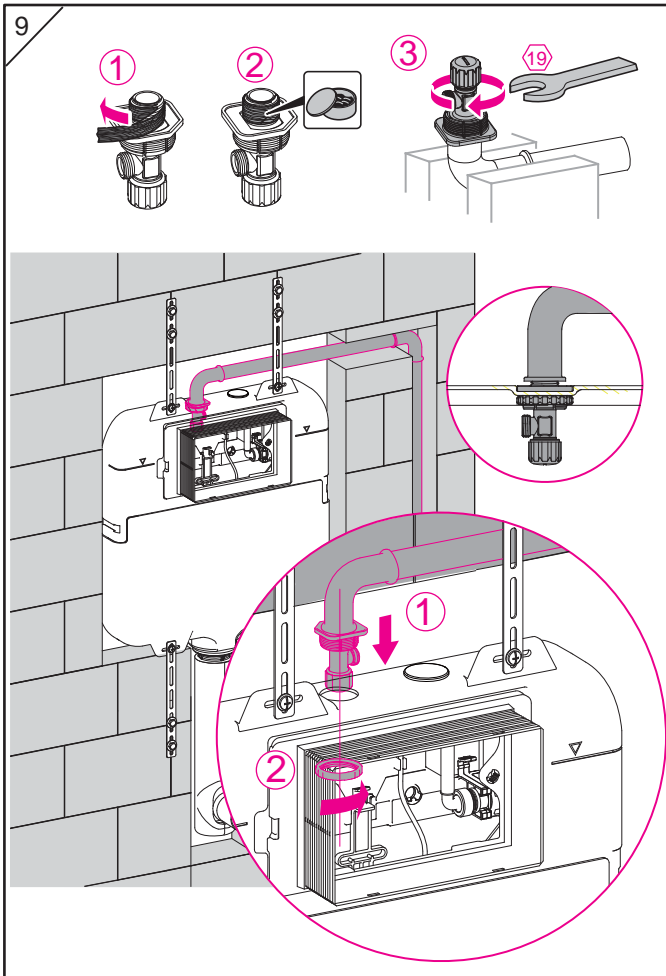
3 主视图 Main view

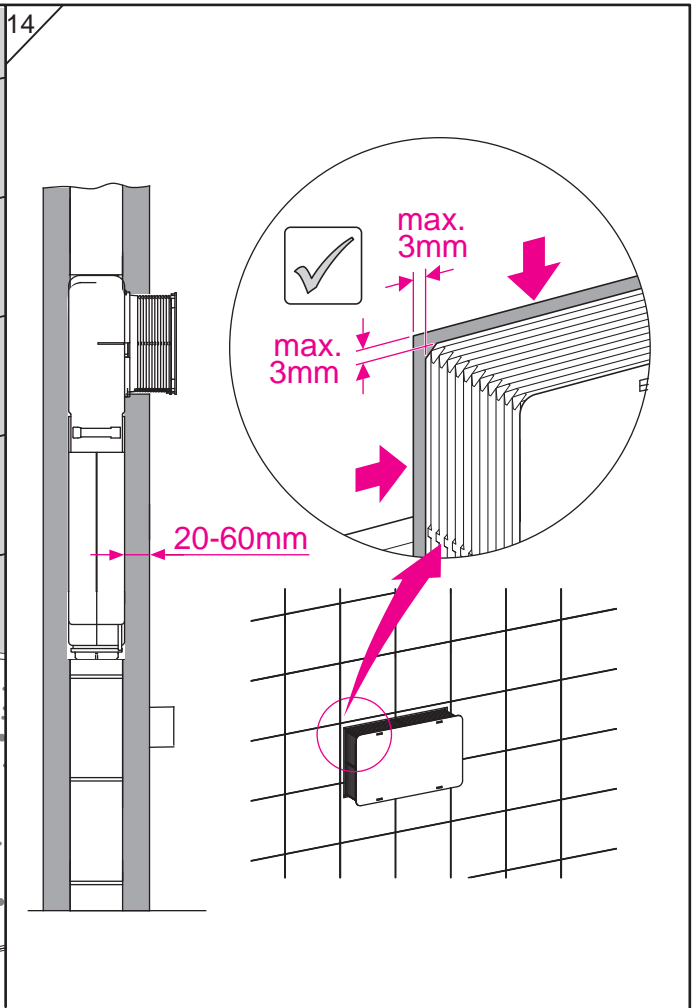
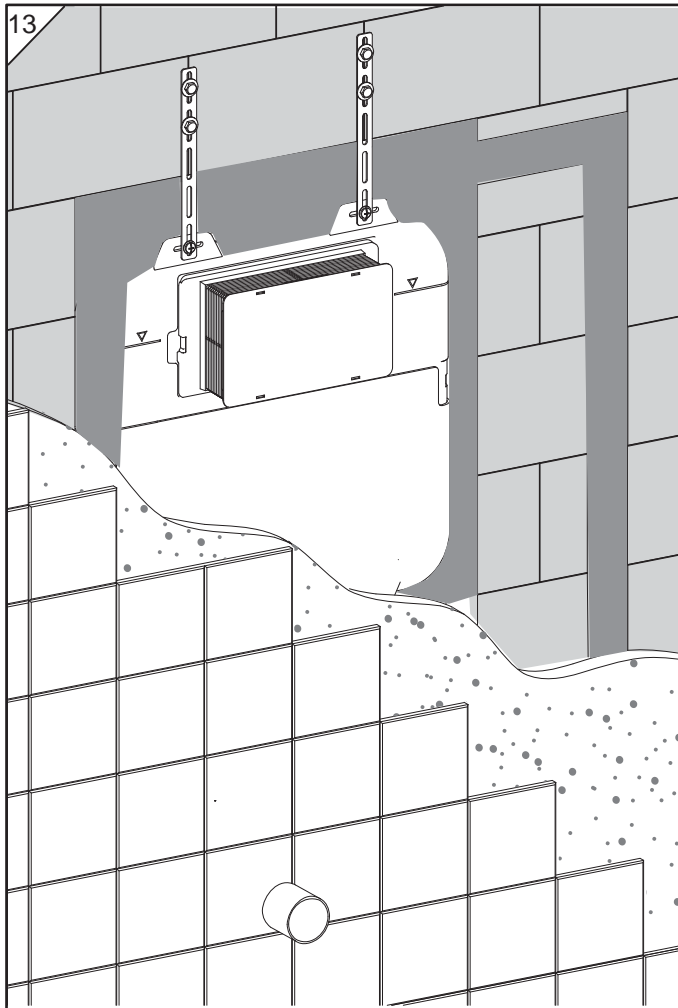


二、安装步骤 *The Installation Manual:*

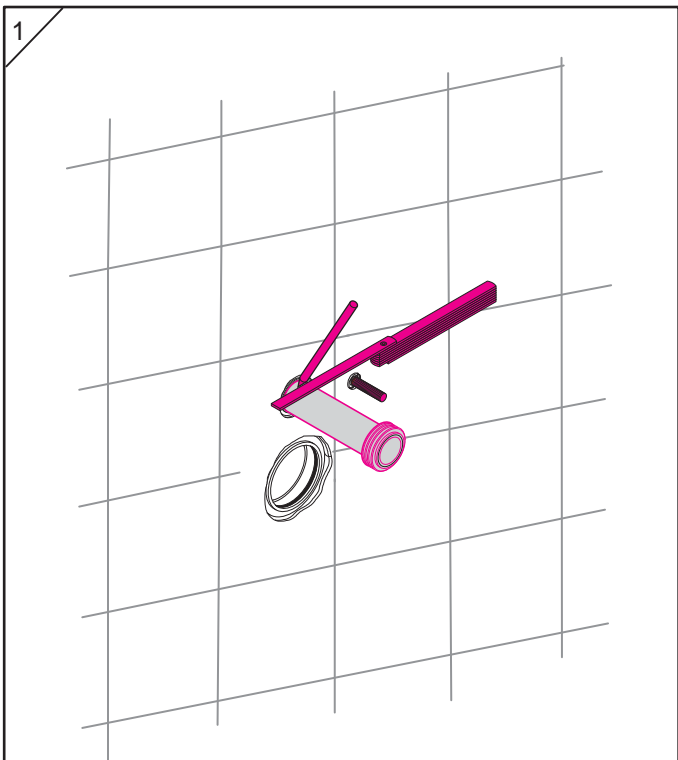




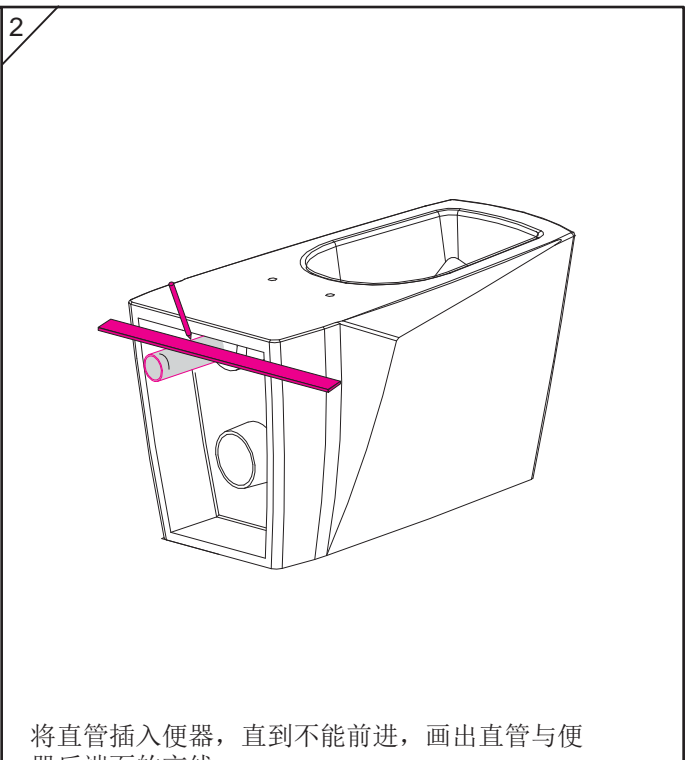




三、安装马桶: *Installation of toilet bowl:*



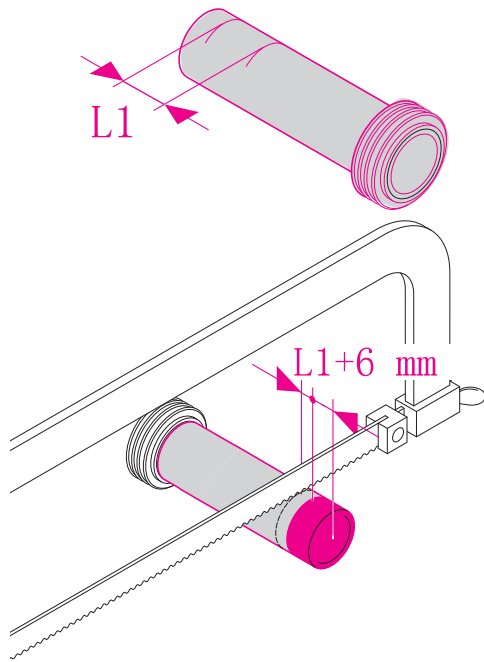
取出堵头杆套，将直管插入弯管，直到不能前进，画出直管与墙面的交线。
Extract the plug for curved pipe out, insert the straight flush pipe into the curved drain pipe till the end, and then mark on connecting line of wall and straight flush pipe.



将直管插入便器，直到不能前进，画出直管与便器后端面的交线。

Insert the straight flush pipe into the toilet bowl till the end, and then mark on the connecting line of straight flush pipe and toilet bowl back-end.

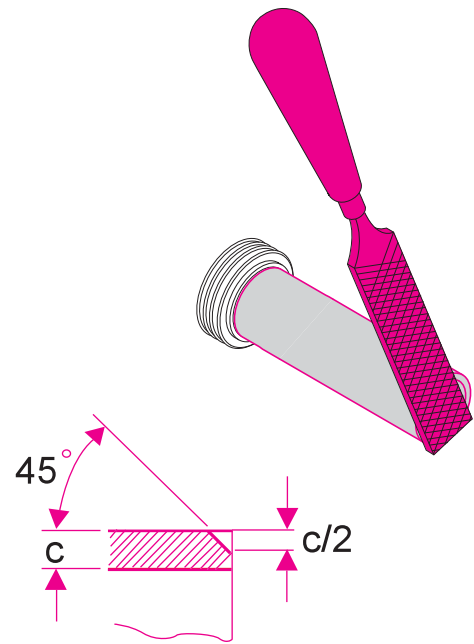
3



前面两个步骤所画两条线之间的距离为L1，
锯断直管L1+6mm

The distance between lines marked by previous two steps is shown as L1. Cut the straight flush pipe L1+6mm off .

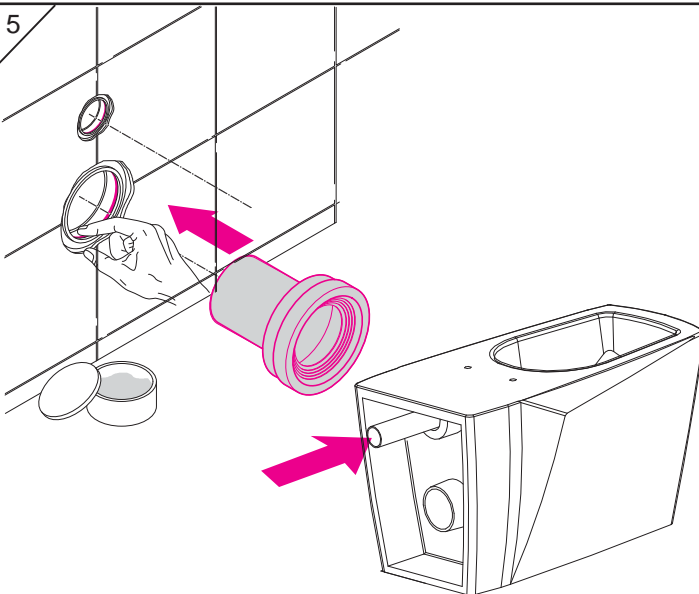
4



将锯短后的圈口直管按图示
外圈锉45°倒角.

File the edge of pipe at 45° after cutting according to the picture.

5



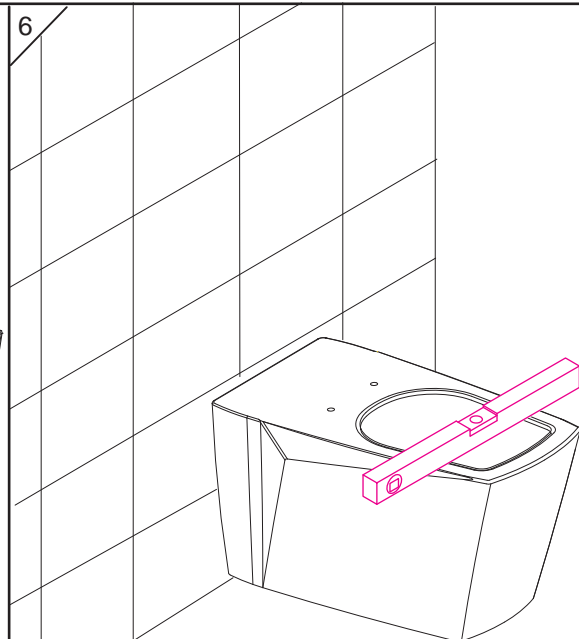
在直管与弯管的结合处抹上润滑油(如硅油)

注：可先将排水直管插入排水管，再根据相配套便器的
安装说明书要求安装便器. 冲刷直管密封套安装方式见
(5.1、5.2、5.3)

Smear lubrication oil on conjoint area between straight flush pipe
and curved drain pipe.


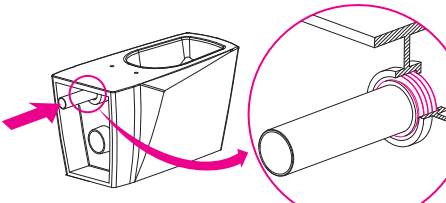
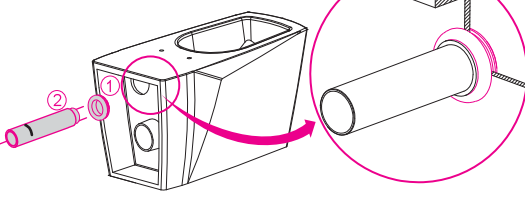
Note: First install Drain Straight Pipe into Drain Bend, then
install the toilet bowl according to the relevant instructions. Flush
Pipe seal Gasket assembly see (5.1, 5.2 and 5.3)

6

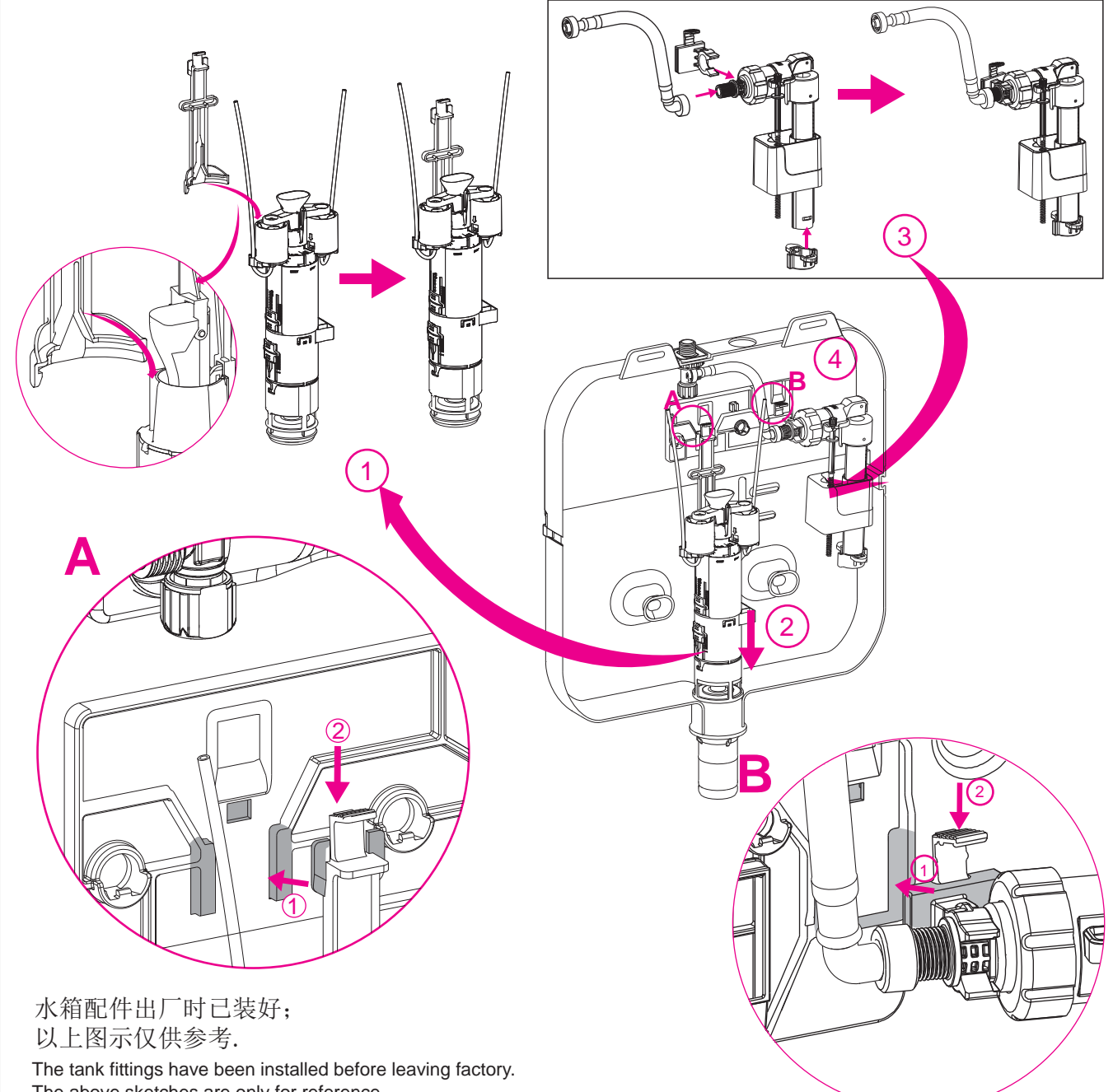


锁定.

Screw down the toilet bowl.

<p>5.1 冲刷直管密封套。 Flush Pipe Seal Gasket.</p>  <p>密封套A Seal Gasket A</p> <p>密封套B Seal Gasket B</p>	<p>5.2 冲刷直管密封套A安装示意。 Seal Gasket A install</p>  <p>密封套安装时连同冲刷直管一起插入马桶孔内。 Seal Gasket A insert into Bowl with Flush Pipe together.</p>	<p>5.3 冲刷直管密封套B安装示意。 Seal Gasket B install.</p>  <p>密封套B安装:①首先须将密封套装入马桶孔; ②然后将冲刷直管塞进密封套B。 Seal Gasket B install: ① install the Gasket into Bowl first; ② then insert the Flush Pipe into the Seal Gasket.</p>
--	---	--

四、水箱配件安装 Installation of accessories for tank:



水箱配件出厂时已装好;
以上图示仅供参考。

The tank fittings have been installed before leaving factory.
The above sketches are only for reference.

所有的资料是按出版时的最新产品资料编写的, 本公司保留在任何时候不需通知便可更改产品的特征、包装或供应产品的权利。

All data contained is based upon the last product information available at the time of publication. We reserves the right to implement changes of product characteristics, packaging and availability at any time without further notice.

东陶(中国)有限公司

TOTO (CHINA) CO., LTD.

售后服务全国免费电话: 800-820-9787

After Service Free Tel: 800-820-9787

手机用户: 400-820-9787

Mobile telephone: 400-820-9787